

FILTERED AND PURIFIED WATER FOR YOUR YACHT OR RV

Spigot Stealth:

A compact, undercounter mounted system with Carbon Block Filtration and UV-C Purification. No single use bottles, no chemicals. For yachts, RVs, vans, and overland vehicles with onboard pressurized water systems.



The Guzzle Hydration System includes:

- Two Stage Filter and Purification for Drinking Water

Stage 1 is a Carbon Block Filtration process that absorbs chlorine, chemicals, and contaminants.

Stage 1 leaves your water tasting great!

Stage 2 is an LED Ultraviolet C Purification process that inactivates at least 99.99% of bacteria, protozoa, and viruses.

Stage 2 makes sure your water safe to drink!

- Composite Mounting Bracket

- 12v Power Cable

Good for the Planet One life cycle of the carbon block filter cartridge can save up to 700 lbs of plastic compared to consuming bottled water!

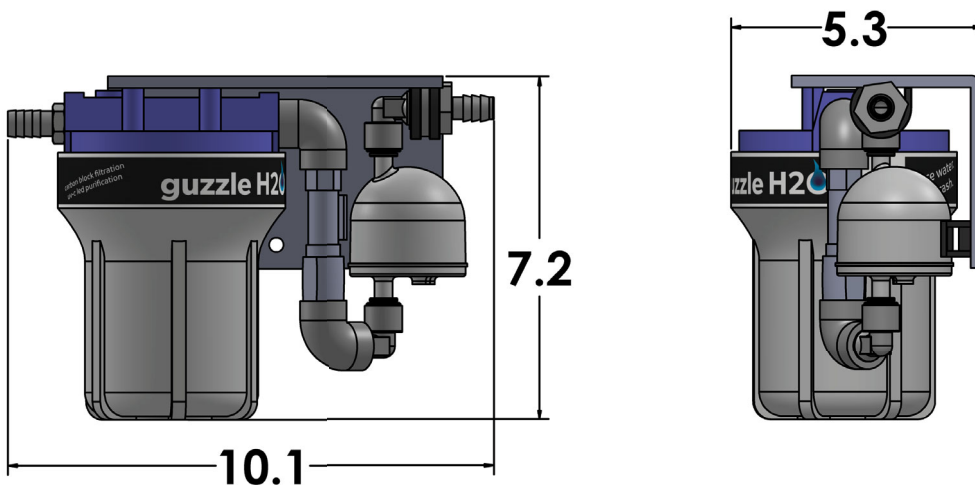
A Time and Money Saver No more purchasing and hauling bottled water! Conveniently use available water sources. Costs less than bottled water in the long run!

Quenches Your Thirst Provides great tasting and safe drinking water!

FILTERED AND PURIFIED WATER RIGHT WHERE YOU NEED IT

specifications:

- Max Flow Rate 1.1 gallon (4.0 liters) / min
- LED UV-C purification unit is micro-biologically tested in accordance with US EPA drinking water guidelines to inactivate 99.99% of bacterial, protozoa, and viruses
- 0.5 Micron Premium Carbon Block Filtration is highly effective at reducing particulate, taste and odor, chlorine, VOCs, and other contaminants
- Carbon Block Filter capacity up to 3000 gallons per cartridge, low cost replacement
- 10,000 hour LED UV-C lifespan
- 15' Marine Grade 2 Strand 16 AWG Power Line
- 1/2" Barbed Hose Fitting Inlet / Outlet (Other Fittings Available)
- All components NSF certified, or of FDA approved materials
- 2 Year Warranty
- 7 lbs dry weight
- Assembled in USA



PRICING (FOB HOOD RIVER, OR, USA)

Guzzle H2O Spigot Stealth	\$525
Replacement Carbon Block 5" Cartridge	\$10