

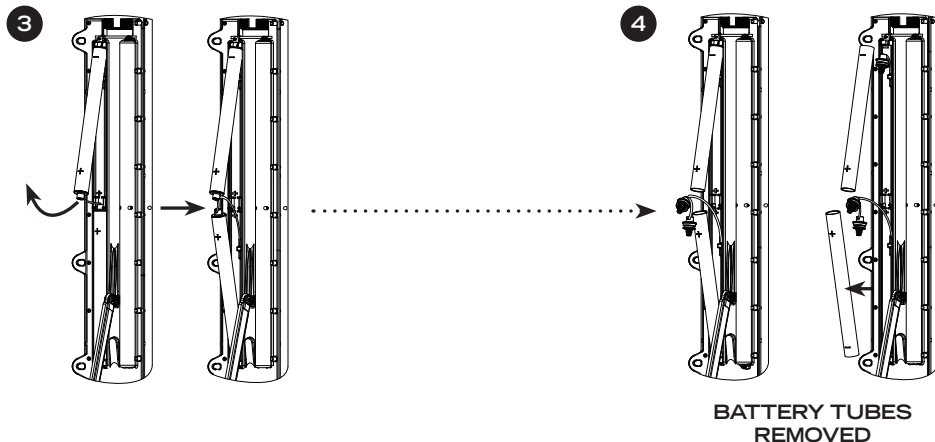
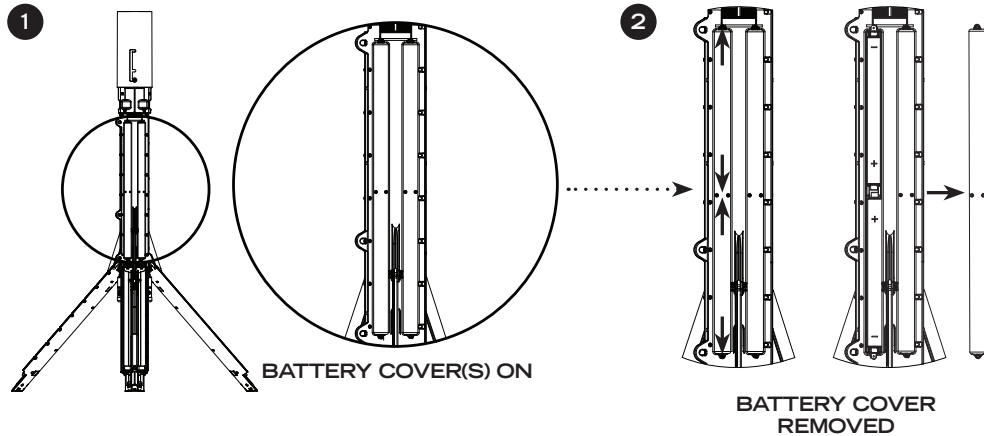


NOMAD® 360, T32 AND T56 BATTERY REPLACEMENT (P/N 600-200-900)

FOR P/N 200-900, 200-900-TC, 200-9T32, 200-9T56

REMOVING THE BATTERY TUBES | 15 MINS (APPROX)

The Nomad® 360, T32 and T56 uses 12 Battery Tubes. Repeat the following steps six (6) times in order to replace all 12 Battery Tubes.



Make sure the Nomad® is OFF and UNPLUGGED before starting.

- 1** Open the Folding Tripo-Scope® Legs so they are locked and deployed. Then, locate a Battery Cover.
- 2** Use a Phillips Head (+) Screwdriver to remove the four (4) screws that hold the Battery Cover. Once the screws are removed, pull the Battery Cover off and set it aside.
 - ❖ IMPORTANT: There are two (2) Battery Tubes (the UPPER and LOWER) under each one (1) of the Battery Covers.

Once the Battery Cover is removed, the Battery Tube is accessible. Start with the UPPER battery first.

- 3** At the BOTTOM of the UPPER Battery Tube, there will be a red (positive) Battery Tube Cap. Place an index finger on it, push the red Cap up, and pull it forward (this should help the top portion of the Battery Tube to easily slide out of the Battery Compartment). This action is similar to removing a AA battery from any generic battery holder.
 - ❖ To easily remove the Battery Tube from the Nomad® Body, it is best to push the red Battery Tube Cap up and pull it out (at a 20° angle).
 - ❖ NOTE: The wiring for the positive (+) and negative (-) Caps will remain attached to the Nomad® Body while the Battery Tube is pulled out of the Battery Compartment.

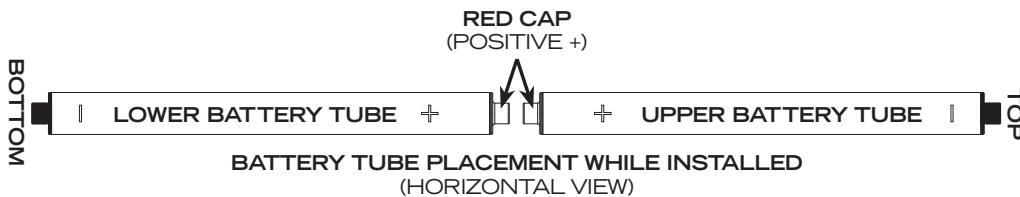
Once the UPPER Battery Tube is removed, repeat steps 1-3 for the LOWER Battery Tube. NOTE: While pulling the UPPER Battery Tube out, the LOWER Battery Tube may come out at the same time.

- 4** Remove the Battery Tube Caps (red and black) from each end of the Battery Tube. This can be done by simply popping the Battery Tube Cap off with one thumb.
 - ❖ DO NOT pull the Battery Tube Caps by the wires.

REPEAT STEPS 2-4 FOR THE REMAINING BATTERIES.

INSTALLING THE BATTERY TUBES | 15 MINS (APPROX)

Installing the Nomad® Battery Tubes follows the same procedures as removing them but in reverse order.



WARNINGS



Be sure to check polarity [positive (+) and negative (-)] when installing the Battery Tubes.

- 1 Start with the LOWER Battery Tube. Attach the black Cap to the NEGATIVE end of the Battery Tube. While holding the Cap in place, reinsert it into the Battery Compartment.
- 2 While still applying pressure to the bottom Cap, attach the red Cap to the opposite end (POSITIVE end) of the Battery Tube. Once secure, push down again and slide the Battery Tube back into place in the Battery Compartment.

❖ **IMPORTANT:** Be sure to place the red and black wires directly behind the Battery Tube before re-installing it into the Battery Compartment. This will prevent the wires from being damaged, and it will help the Battery Tube go back into place easier.
- 3 Once the Battery Tubes are installed, test the Nomad® to make sure it turns ON. If it does not, check the Battery Tubes for any connection errors with the positive (+) and negative (-) ends. Then, place the Battery Cover back over the Battery Tubes and tighten the four (4) screws into place.

LIMITED LIFETIME WARRANTY

FoxFury, LLC (“FoxFury”) warrants this product to be free from defects in material for a lifetime of use except for batteries, LEDs, abuse, and normal wear. Mechanical components subjected to constant deformation or action, like springs and switches, and electronic components including chargers and LEDs are warranted for a period of two years from the time of purchase. FoxFury will repair or replace a product should it be determined defective.

Rechargeable batteries are consumable items, and carry a pro-rated 2 year warranty. Example: If a problem arises after one year of use, only 50% of the replacement cost will be charged, as long as the batteries are verified to have been charged, stored, and used in accordance with required practices.

This limited lifetime warranty is given only to the original end user of the accompanying product. If you purchased a product from someone other than an authorized FoxFury reseller/distributor or if the product was used, (including but not limited to demo models, show models or refurbished product by someone other than FoxFury) prior to your purchase, you are not the Original Purchaser and the product that you purchased is not covered by this warranty. This limited warranty is VOID if this Product has been altered or modified in any way (including but not limited to attempted warranty repair without authorization from FoxFury and/or alteration/removal of the serial number). To expedite warranty concerns, we encourage the end user to register their FoxFury Product at www.foxfury.com/pages/warranty-registration.

THIS IS THE ONLY WARRANTY, EXPRESSED OR IMPLIED, INCLUDING ANY WARRANTY OF MERCHANTABILITY OR FITNESS FOR A PARTICULAR PURPOSE. INCIDENTAL, CONSEQUENTIAL OR SPECIAL DAMAGES ARE EXPRESSLY DISCLAIMED EXCEPT WHERE SUCH LIMITATION IS PROHIBITED BY LAW.

You may have other specific legal rights which vary by jurisdiction. Go to www.foxfury.com/pages/warranty for a complete copy of the warranty. Retain your receipt for proof of purchase.

CONTACT FOXFURY

FoxFury, LLC
Oceanside, CA 92056 USA
Toll-Free: 844-FOXFURY
Tel: 760.945.4231
Fax: 760.433.3650
Email: service@FoxFury.com
Web: FoxFury.com

All FoxFury products are designed in Oceanside, CA. All FoxFury products are manufactured with the highest quality USA and foreign parts. Products are assembled in either FoxFury’s controlled plant in Asia or the USA, under strict quality control.

CALIFORNIA PROPOSITION 65

This product can expose you to chemicals including Lead and DEHP, which are known to the State of California to cause cancer and birth defects or other reproductive harm. For more information go to www.P65Warnings.ca.gov.