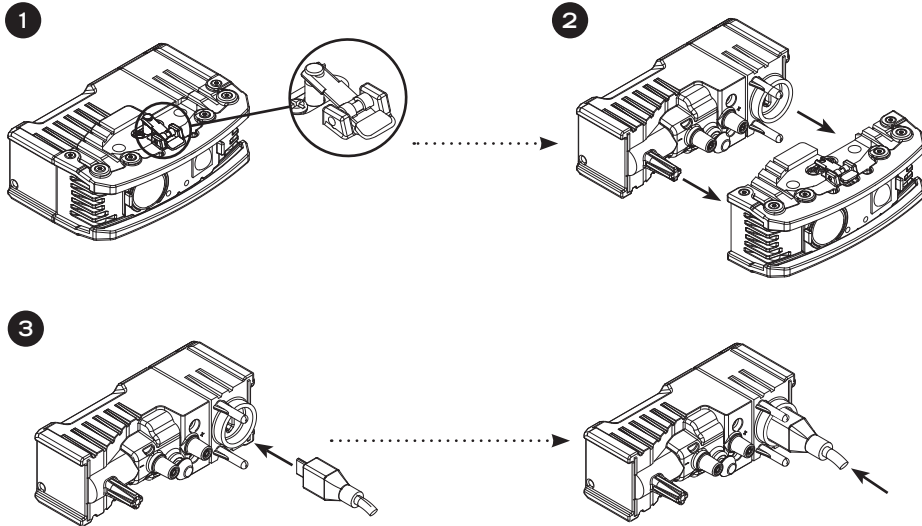


## CHARGING THE TAKER R40 POWER PACK

P/N N50-210

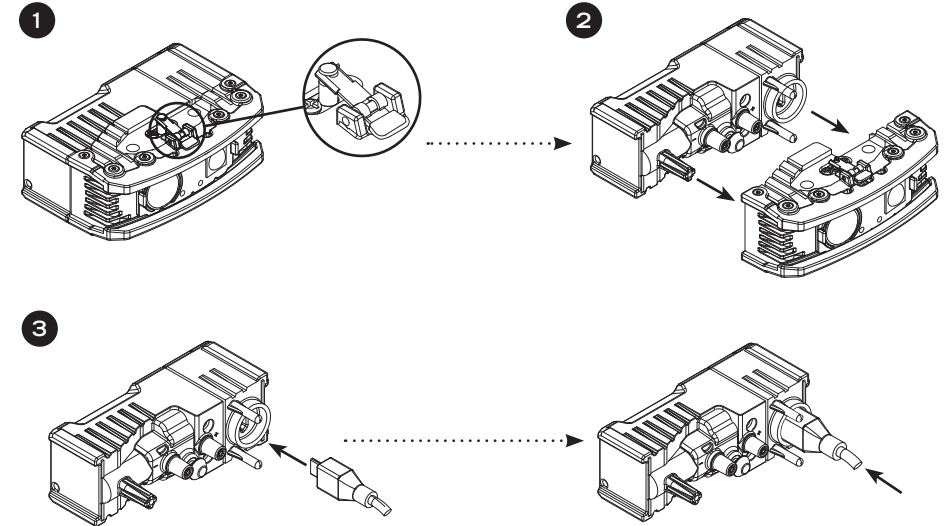


- 1 Press and hold the Power Pack Release Lever located on the Light Head portion of the Taker R40.
- 2 While maintaining pressure on the Power Pack Release Lever, pull the Light Head and the Power Pack apart.
  - ❖ If unable to pull apart easily (due to resistance of the internal rubber gasket), try moving the Power Pack back and forth while pulling apart.
  - ❖ NOTE: Once apart, be sure to keep both ends dry and away from water, moisture and dust. While the Power Pack and Light Head are separated, the unit DOES NOT maintain its waterproof rating.
- 3 Insert the provided Micro USB Cable into the Power Pack—respect the orientation/alignment. Then, insert the opposite end, USB (Type A) into a USB compatible power source or into the included AC-DC Adaptor. (Input: 100V-240VAC 50/60 Hz, Output: 5V DC 1000mAh).
  - ❖ The Charge Indicator will be solid red while charging. Once fully charged, it will turn green.
  - ❖ Charging time is approximately 2.5 hours.
  - ❖ After the Power Pack is charged, disconnect it from the USB Cable.

\*\*PLEASE NOTE: The Taker R40 in steps 1-3 is shown with no mounts and is flipped to show the Power Pack Release Lever.

## CHARGING THE TAKER R40 POWER PACK

P/N N50-210



- 1 Press and hold the Power Pack Release Lever located on the Light Head portion of the Taker R40.
- 2 While maintaining pressure on the Power Pack Release Lever, pull the Light Head and the Power Pack apart.
  - ❖ If unable to pull apart easily (due to resistance of the internal rubber gasket), try moving the Power Pack back and forth while pulling apart.
  - ❖ NOTE: Once apart, be sure to keep both ends dry and away from water, moisture and dust. While the Power Pack and Light Head are separated, the unit DOES NOT maintain its waterproof rating.
- 3 Insert the provided Micro USB Cable into the Power Pack—respect the orientation/alignment. Then, insert the opposite end, USB (Type A) into a USB compatible power source or into the included AC-DC Adaptor. (Input: 100V-240VAC 50/60 Hz, Output: 5V DC 1000mAh).
  - ❖ The Charge Indicator will be solid red while charging. Once fully charged, it will turn green.
  - ❖ Charging time is approximately 2.5 hours.
  - ❖ After the Power Pack is charged, disconnect it from the USB Cable.

\*\*PLEASE NOTE: The Taker R40 in steps 1-3 is shown with no mounts and is flipped to show the Power Pack Release Lever.

# WARRANTY

---

## LIMITED LIFETIME WARRANTY

FoxFury, LLC ("FoxFury") warrants this product to be free from defects in material for a lifetime of use except for batteries, LEDs, abuse, and normal wear. We will repair or replace this product should we determine it to be defective. This limited lifetime warranty excludes rechargeable batteries, chargers, switches, and electronics, which have a 2-year warranty with proof of purchase.

This limited lifetime warranty is given only to the original end user of the accompanying product. If you purchased a product from someone other than an authorized FoxFury reseller/distributor or if the product was used, (including but not limited to demo models, show models or refurbished product by someone other than FoxFury) prior to your purchase, you are not the Original Purchaser and the product that you purchased is not covered by this warranty. This limited warranty is VOID if this Product has been altered or modified in any way (including but not limited to attempted warranty repair without authorization from Foxfury and/or alteration/removal of the serial number). To expedite warranty concerns, we encourage the end user to register their FoxFury Product at [www.foxfury.com/pages/warranty-registration](http://www.foxfury.com/pages/warranty-registration).

THIS IS THE ONLY WARRANTY, EXPRESSED OR IMPLIED, INCLUDING ANY WARRANTY OF MERCHANTABILITY OR FITNESS FOR A PARTICULAR PURPOSE. INCIDENTAL, CONSEQUENTIAL OR SPECIAL DAMAGES ARE EXPRESSLY DISCLAIMED EXCEPT WHERE SUCH LIMITATION IS PROHIBITED BY LAW.

You may have other specific legal rights which vary by jurisdiction. Go to [www.foxfury.com/pages/warranty](http://www.foxfury.com/pages/warranty) for a complete copy of the warranty. Retain your receipt for proof of purchase.

### CONTACT FOXFURY

FoxFury, LLC  
Oceanside, CA 92056 USA  
**Toll-Free:** 844-FOXFURY  
**Tel:** 760.945.4231  
**Fax:** 760.433.3650  
**Email:** [service@FoxFury.com](mailto:service@FoxFury.com)  
**Web:** [FoxFury.com](http://FoxFury.com)

All FoxFury products are designed in Oceanside, CA. All FoxFury products are manufactured with the highest quality USA and foreign parts. Products are assembled in either FoxFury's controlled plant in Asia or the USA, under strict quality control.

# WARRANTY

---

## LIMITED LIFETIME WARRANTY

FoxFury, LLC ("FoxFury") warrants this product to be free from defects in material for a lifetime of use except for batteries, LEDs, abuse, and normal wear. We will repair or replace this product should we determine it to be defective. This limited lifetime warranty excludes rechargeable batteries, chargers, switches, and electronics, which have a 2-year warranty with proof of purchase.

This limited lifetime warranty is given only to the original end user of the accompanying product. If you purchased a product from someone other than an authorized FoxFury reseller/distributor or if the product was used, (including but not limited to demo models, show models or refurbished product by someone other than FoxFury) prior to your purchase, you are not the Original Purchaser and the product that you purchased is not covered by this warranty. This limited warranty is VOID if this Product has been altered or modified in any way (including but not limited to attempted warranty repair without authorization from Foxfury and/or alteration/removal of the serial number). To expedite warranty concerns, we encourage the end user to register their FoxFury Product at [www.foxfury.com/pages/warranty-registration](http://www.foxfury.com/pages/warranty-registration).

THIS IS THE ONLY WARRANTY, EXPRESSED OR IMPLIED, INCLUDING ANY WARRANTY OF MERCHANTABILITY OR FITNESS FOR A PARTICULAR PURPOSE. INCIDENTAL, CONSEQUENTIAL OR SPECIAL DAMAGES ARE EXPRESSLY DISCLAIMED EXCEPT WHERE SUCH LIMITATION IS PROHIBITED BY LAW.

You may have other specific legal rights which vary by jurisdiction. Go to [www.foxfury.com/pages/warranty](http://www.foxfury.com/pages/warranty) for a complete copy of the warranty. Retain your receipt for proof of purchase.

### CONTACT FOXFURY

FoxFury, LLC  
Oceanside, CA 92056 USA  
**Toll-Free:** 844-FOXFURY  
**Tel:** 760.945.4231  
**Fax:** 760.433.3650  
**Email:** [service@FoxFury.com](mailto:service@FoxFury.com)  
**Web:** [FoxFury.com](http://FoxFury.com)

All FoxFury products are designed in Oceanside, CA. All FoxFury products are manufactured with the highest quality USA and foreign parts. Products are assembled in either FoxFury's controlled plant in Asia or the USA, under strict quality control.