



Image shows size M

Product Description

Hand spun from solid aluminium or brass, the Pitch Planter borrows its contemporary geometry from the iconic Pitch Pendant. With a simple, strong silhouette the tapered form lifts the pot, reducing its visual weight.

Product Type Indoor plant pot (non draining)

Materials Aluminium/brass

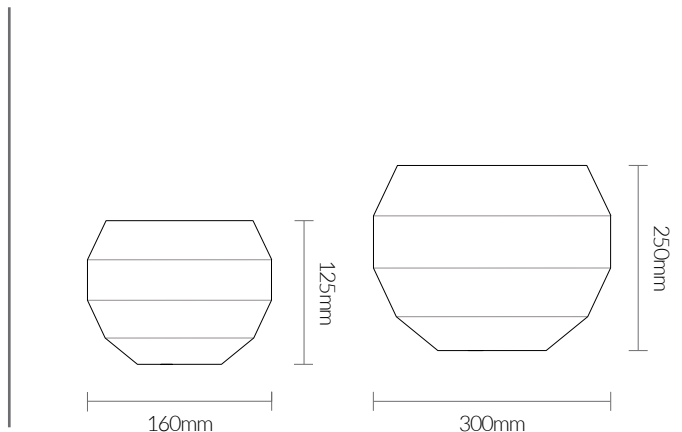
Fittings -

Colour Brass, Black, Grey, White

Cleaning Instructions

Clean with a dry lint-free cloth. Do not use any abrasive cleaning products or polishing agents.

Overall Dimensions (mm)



Colours & Finishes



Brushed brass



Grey aluminium



Black aluminium



White aluminium



Weight XL-0.9 kg | M-0.4 kg



Packaging Heavy-weight corrugated cardboard

RRP (GBP)

M - Brass £42.00

M - Aluminium £32.00

XL - Brass £65.00

XL - Aluminium £49.00