

Image shows Ash

### Product Description

The Ninety Stool brings consideration to an often overlooked feature - the foot rest, by ensuring this detail is both functional and aesthetic. The angles produced by the perpendicular structure of the legs create a variable foot rest height for different users (ergonomic studies indicate that the preferred foot support lies between 200mm and 300mm from the floor).

**Product Type** Stool

**Materials** Oak/Ash

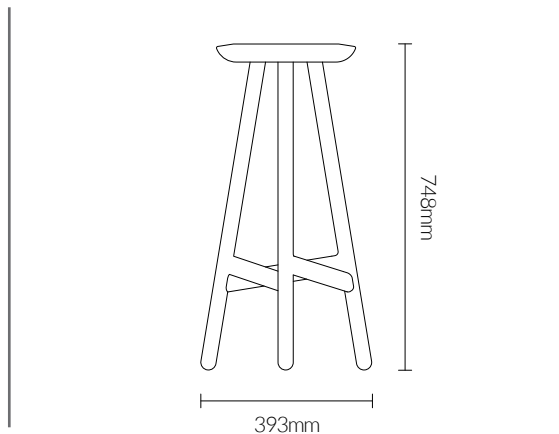
**Fittings** -

**Finish** Natural, Black, Yellow, Grey

### Cleaning Instructions

Wipe clean with a slightly damp cloth.

### Overall Dimensions (mm)



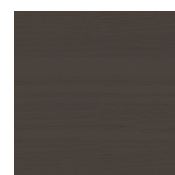
### Colours & Finishes



Stained Ash/Grey



Stained Ash/Yellow



Stained Ash/Black



Oak



Ash



**Weight** 3.95 kg

**RRP (GBP)**



**Packaging** Heavy-weight corrugated cardboard

All finishes £300.00