

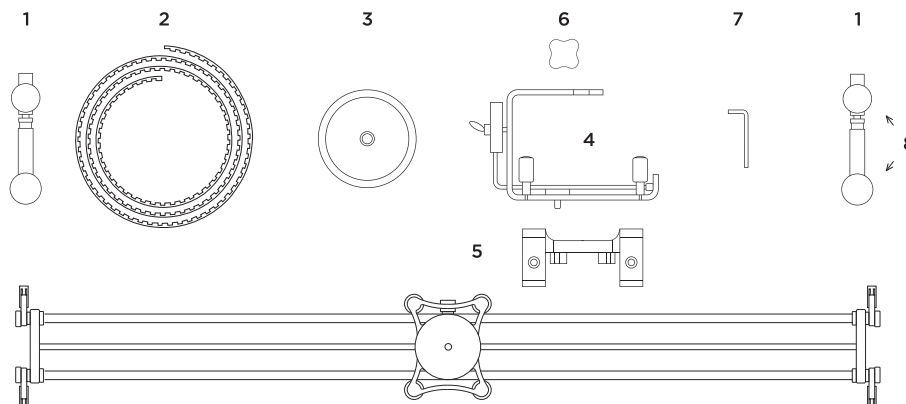
Rhino Slider

Linear Slider Adapter Quick Start Guide

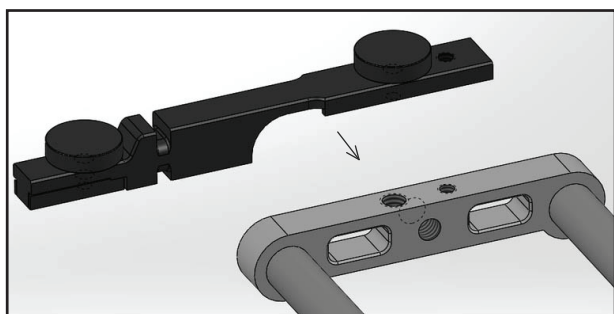


Included:

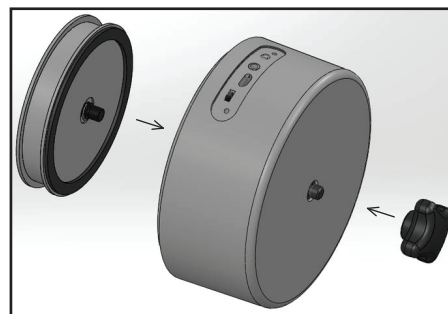
- 1. End Bracket x 2
- 2. Drive Belt x 1
- 3. Gear x 1
- 4. U-Bracket x 1
- 5. Adapter Plate x 1
- 6. Threaded Knob x 4
- 7. Hex Wrench x 1
- 8. Thumb Screws x 5



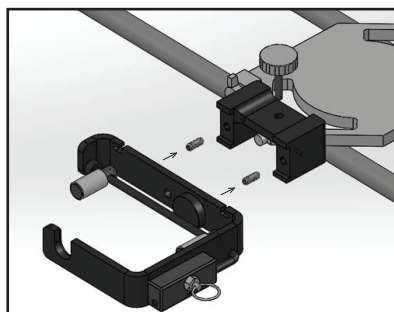
*Side Note: To ensure safe operation, please securely tighten all Thumb Screws (8).



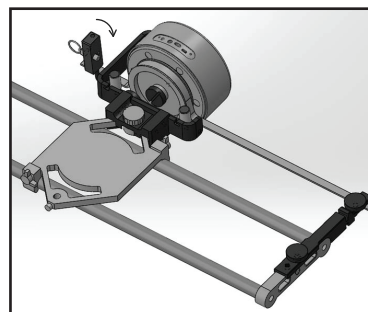
1. Align the End Bracket (1) with the slider ends and attach securely to the slider by tightening Thumb Screws (8).



2. Attach the Gear (3) securely to the bottom of the Radian (not included).



3. Attach the Adaptor Plate (5) to the Rhino carriage and secure by tightening the set screws with the Hex Wrench (8).
 4. Align the U-Bracket (4) to the Adapter Plate (5) and fasten securely with the attached Thumb Screw (8).



5. Attach the Drive Belt (2) to the End Brackets (1) with the teeth facing down. Secure using the Thumb Screws (8) and let the Drive Belt (2) run underneath the U-Bracket (4).
 6. Place the Radian into the U-Bracket (4). Lift the blue lever up and pull the Drive Belt (2) up and over the Gear (3). Place the lever back down making sure the plastic rollers are pushing down on the Drive Belt (2). Finally tighten the Drive Belt (2) at the End Brackets (1) as needed.

