

Venus Wheelchair (Candy Apple)

Product Code: VNW05AA-FX



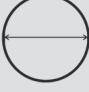
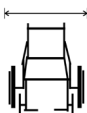

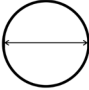


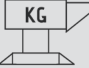


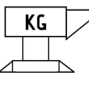
Features:

- ▶ "One Touch" Attendant Brake
- ▶ Armrest Side Panel For Safety
- ▶ Length Adjustable Footrest
- ▶ Flame Retardant Nylon
- ▶ Bacteria Resistant Upholstery
- ▶ Includes Handy Carry Pocket



ARTG Listing no.

- ▶ 227311

Length (cm)	 100	Backrest Height (cm)	 42	Front Wheel Diameter (cm)	 20/8"
Width (cm)	 63.5	Seat Depth (cm)	 40	Rear Wheel Diameter (cm)	 30/12"
Height (cm)	 96	Seat Width (cm)	 46	Max Load (kg)	 100
Folded Width (cm)	 30	Seat Height from the Ground (cm)	 51	Net Weight (kg)	 12.5