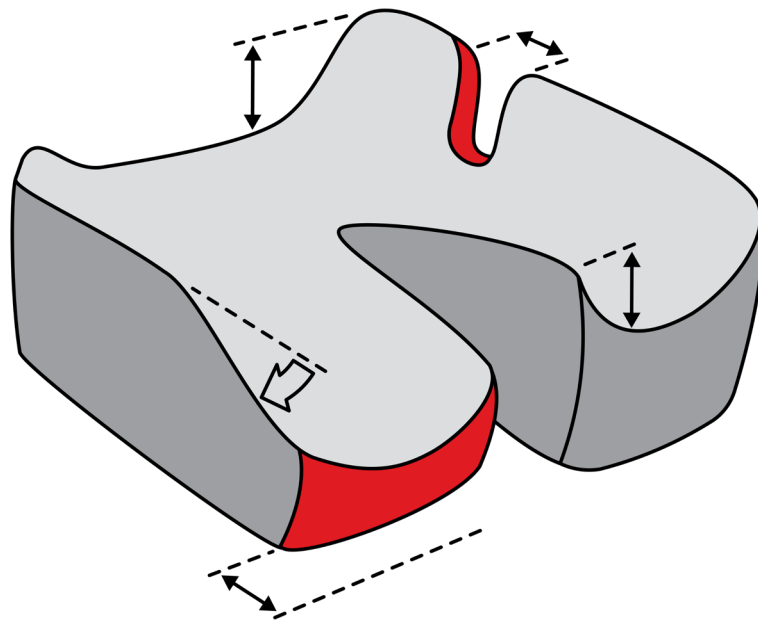


Build Your Own Flex Cushion



spex

FLEX CUSHION

SCRIPTING AND ORDERING GUIDE

Contents

Client Details	2
Specify Cushion Size	3
Overlay	4
Medial Thigh Support	5
Leg Length Discrepancy	6
Create Thigh Laterals	7
Pelvic Ischial Area	8
Outer Cover Material	9
Optional Accessories	10
Contouring Chart	11

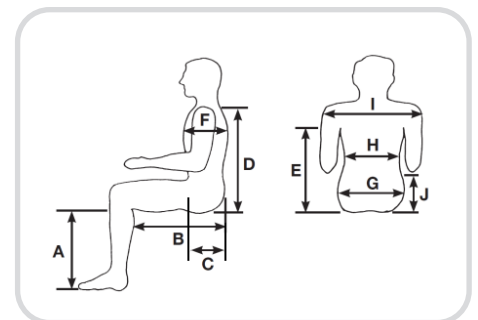
Client Details

Client Details:

Client Name:		Carer Name:	
Date of Birth:		Carer Contact Number:	
Weight:		Assessment Date:	
Salesperson Name:		Distributor Name:	
Salesperson Contact Number:		Distributor Contact Number:	

Seating Measurements:

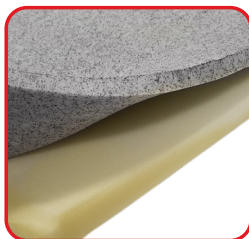
	LEFT	RIGHT		LEFT	RIGHT
A Lower Leg Length			F Chest Depth		
B Thigh Length			G Hip Width		
C Ischial Well Length			H Chest Width		
D Shoulder Height			I Shoulder Width		
E Axila Height			J Elbow Height		



Notes:

Overlay

PRESSURE RELIEVING & MEMORY FOAM



Default combination if no overlay is specified.

½" GEL FOAM (N/A for SuperHigh contouring)



1111-0392-000

Note: the soft upper layer will be replaced with this overlay

1" SOFT GEL FOAM



1111-0395-000

Note: the soft upper layer will be replaced with this overlay

½" WAFFLE GEL



1111-0358-000

1111-CUST-028 (over 20x20)
Note: the soft upper layer will be replaced with this overlay

SUPRACOR®



1111-0431-000

Installed into special Supracor® Overlay supplied inside special envelope outer cover

PRESSURE RELIEVING OVERLAY



1111-0391-000

Additional layer of pressure-relieving overlay.

15MM MEMORY FOAM OVERLAY



1111-0393-000

Additional layer of 15mm memory foam.

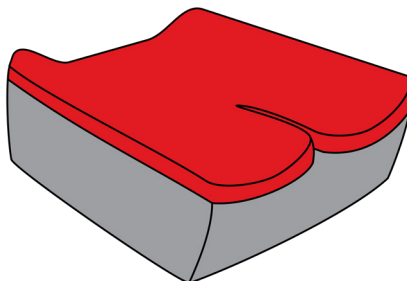
30MM MEMORY FOAM OVERLAY



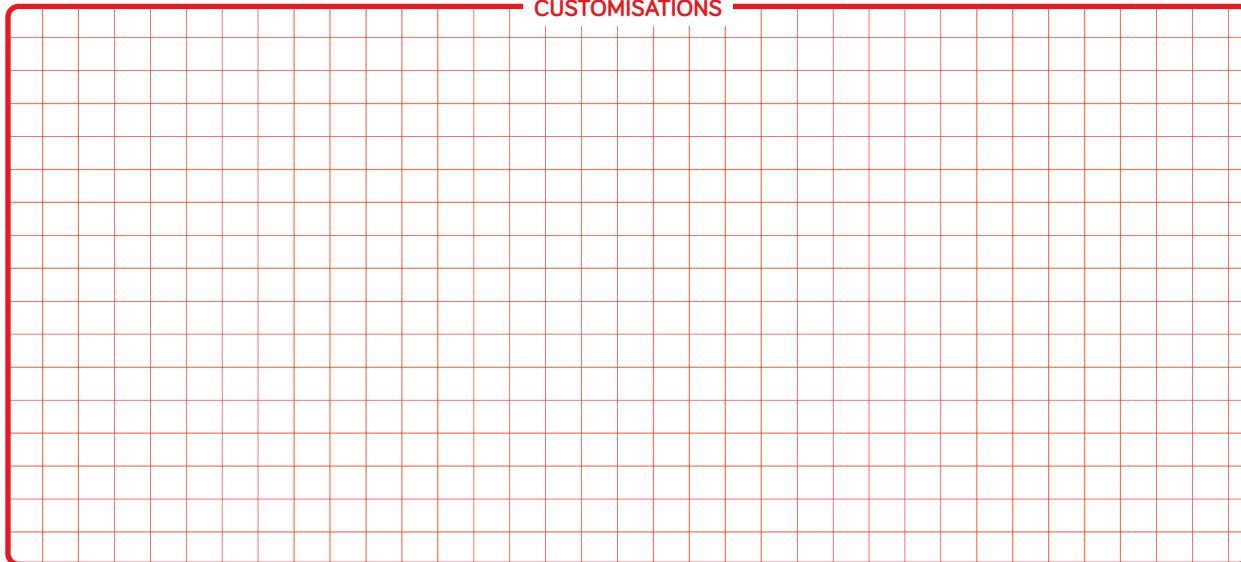
1111-0394-000

Additional layer of 30mm memory foam.

DIAGRAM



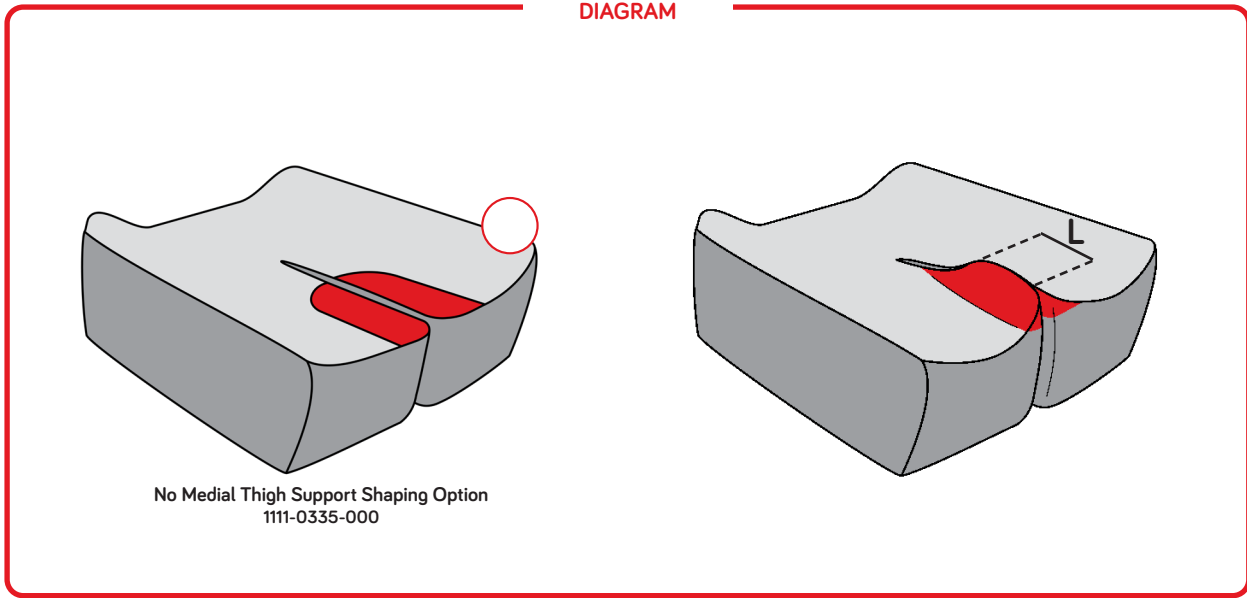
CUSTOMISATIONS



Medial Thigh Support (1111-0294-000)

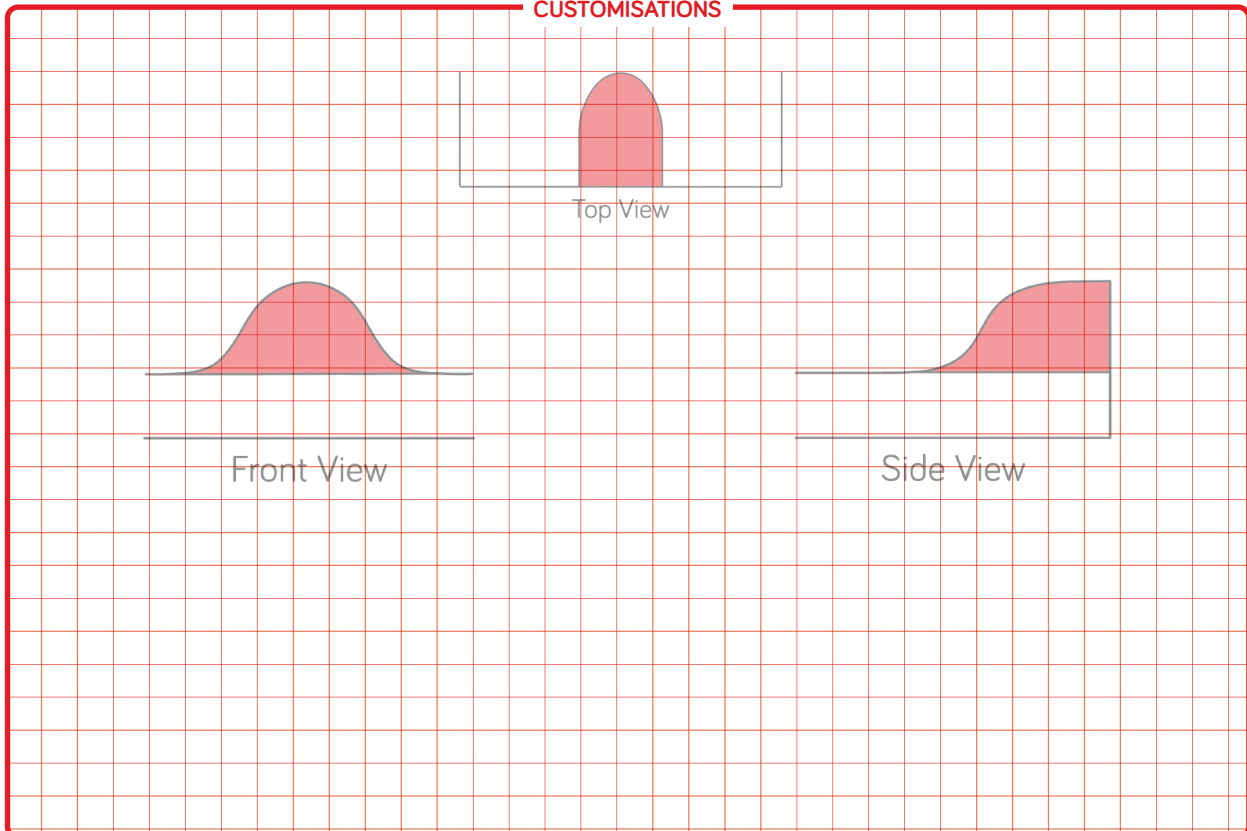
<p>USER'S LEFT LEG</p>	<p>DEPTH (L)</p> <p>_____ mm</p>	<p>HEIGHT</p> <p>Standard Contour (30 mm) <input type="radio"/></p>	<p>High Contour (50 mm) <input type="radio"/></p>
<p>USER'S RIGHT LEG</p>	<p>DEPTH (L)</p> <p>_____ mm</p>	<p>HEIGHT</p> <p>Standard Contour (30 mm) <input type="radio"/></p>	<p>High Contour (50 mm) <input type="radio"/></p>

DIAGRAM



Note: If L is not specified, normal sizes proportionate to chosen height will be produced

CUSTOMISATIONS



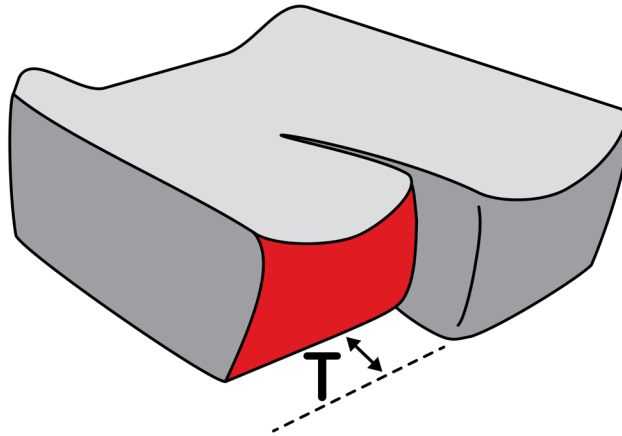
Leg Length Discrepancy 1111-0292-000

LEFT _____ mm

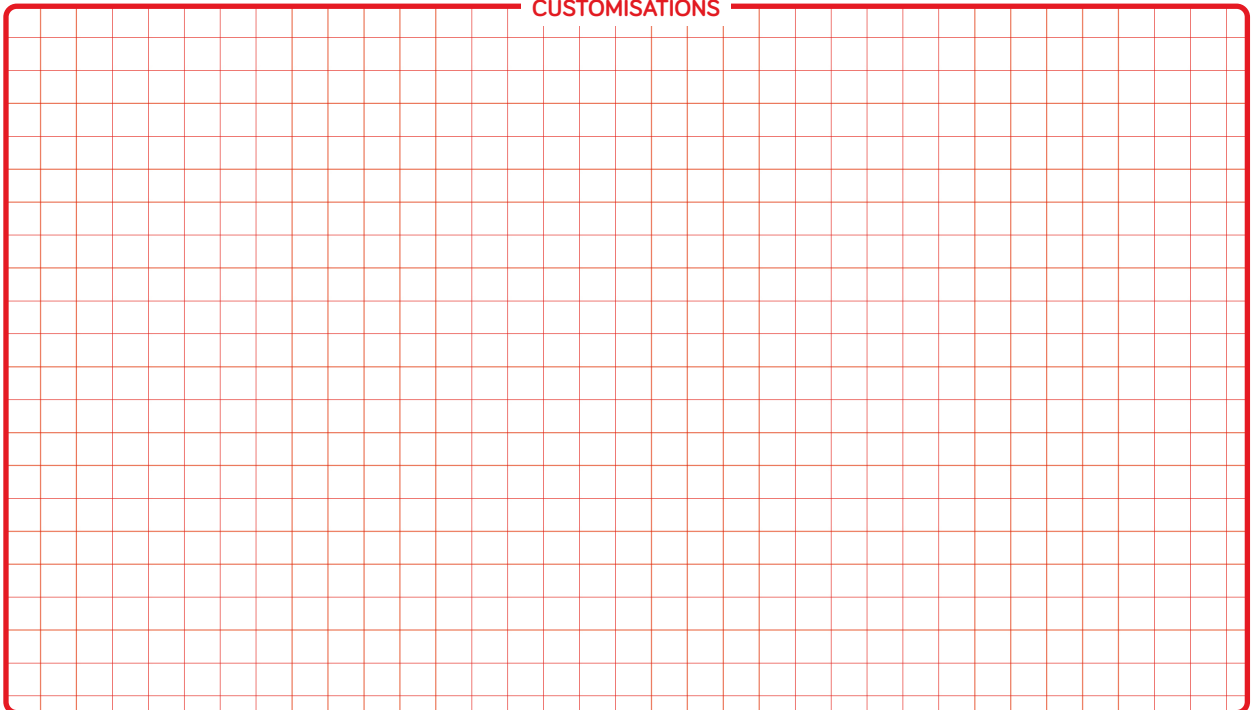
RIGHT _____ mm

Note: Can only select left OR right.

DIAGRAM



CUSTOMISATIONS



Create Thigh Laterals

USER'S RIGHT SIDE

1111-0261-000

REAR CONTOURING

HEIGHT

XX = ____ cm

LENGTH

XX = ____ cm

THICKNESS

XX = ____ cm

FRONT CONTOURING

HEIGHT

XX = ____ cm

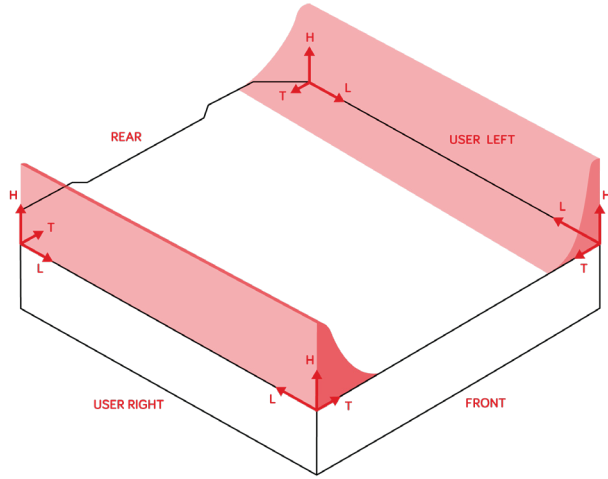
LENGTH

XX = ____ cm

THICKNESS

XX = ____ cm

DIAGRAM



USER'S LEFT SIDE

1111-0262-000

REAR CONTOURING

HEIGHT

XX = ____ cm

LENGTH

XX = ____ cm

THICKNESS

XX = ____ cm

FRONT CONTOURING

HEIGHT

XX = ____ cm

LENGTH

XX = ____ cm

THICKNESS

XX = ____ cm

NORMAL THIGH LATERAL SUPPORT HEIGHTS

STANDARD CONTOUR

30mm

HIGH CONTOUR

50mm

SUPERHIGH CONTOUR

Cushions < 14"

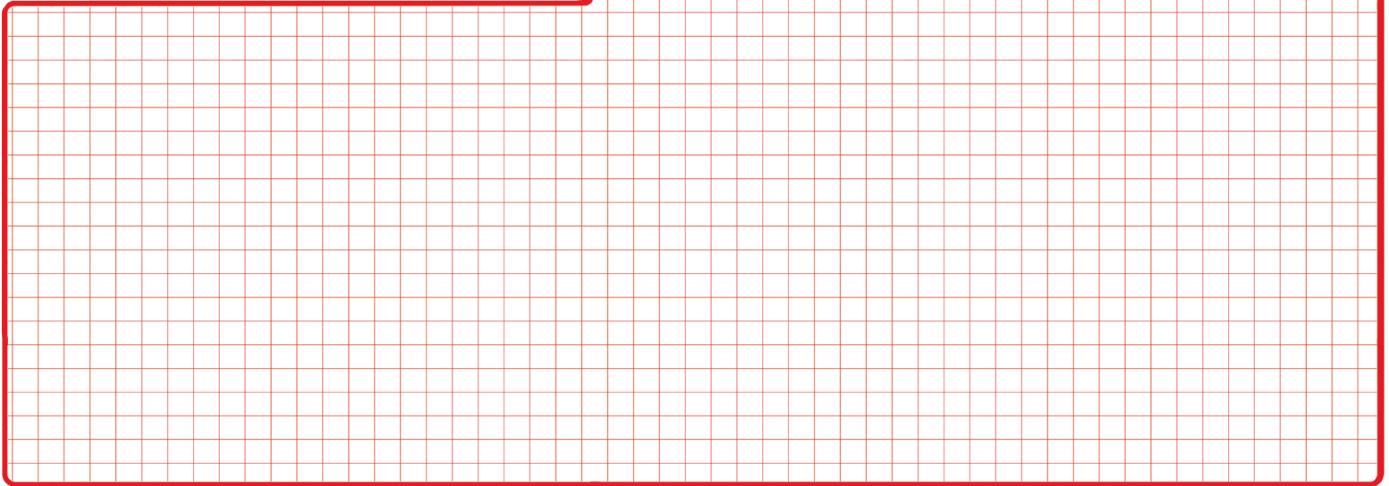
80mm

SUPERHIGH CONTOUR

Cushions > 14"

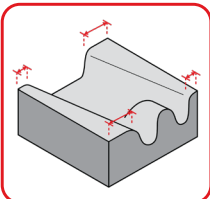
100mm

CUSTOMISATIONS

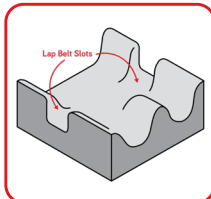


EXAMPLES

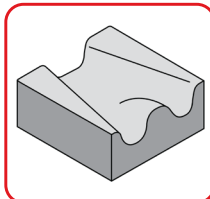
WINDSWEPT CONTOURS



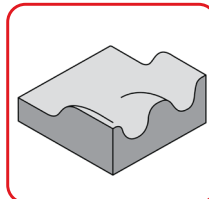
HIP BELT SLOTS



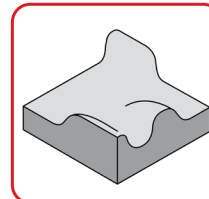
ABDUCTION CONTOURING



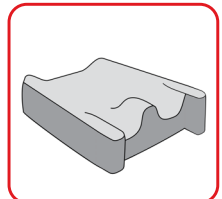
FRONT OR REAR CONTOURING ONLY



ASYMMETRIC LATERAL CONTOURS



LATERAL THIGH SUPPORT EXTENSIONS



Pelvis/Ischial Area 1111-0351-000

SIZE
AUTOMATIC
 (size changes proportionate to cushion size)

POSITION
 CENTRAL

OBLIQUITY BUILD UP

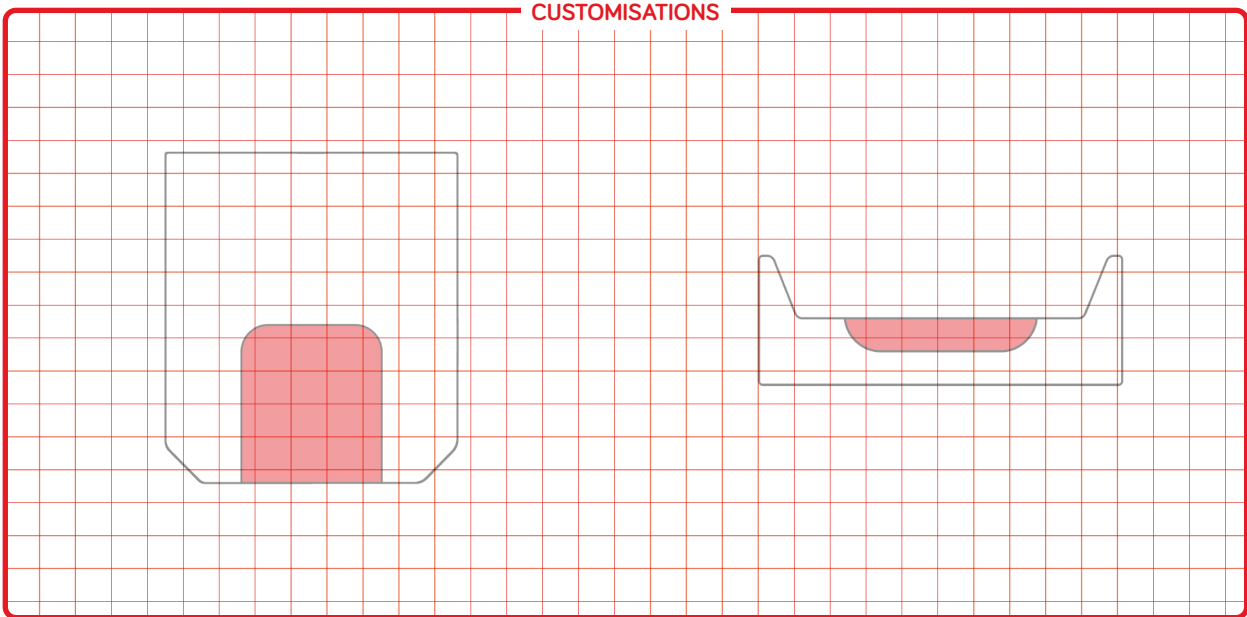
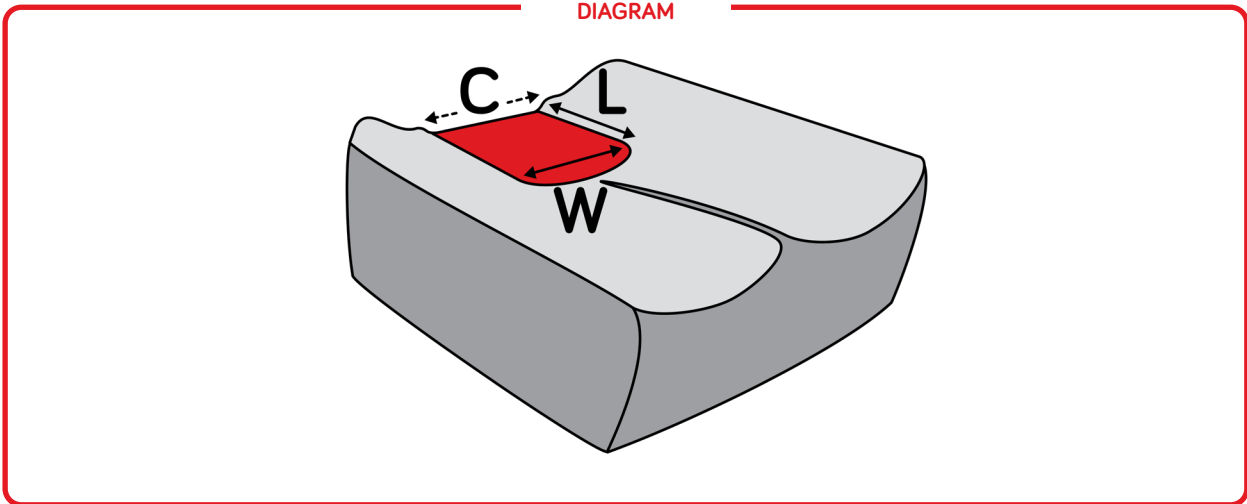
L BUILD-UP **R** BUILD-UP

Using Flex Pelvic Obliquity Pads (complete diagram on page 11) Custom Support Build-Up (complete diagram below)

CUSTOM WIDTH (W)
 _____ mm

CUSTOM LENGTH (L)
 _____ mm

OFFSET POSITION
L | **R** by _____ mm



PADDING INSERT OPTIONS



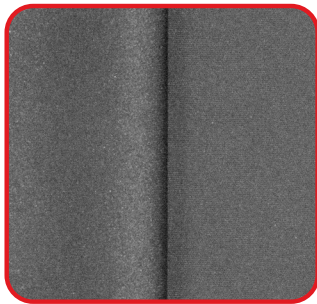
*Air insert to be sourced by customer and supplied to Spex to be fitted within cushion at time of manufacture. Printed copies of customer's purchase order and Spex's order confirmation must be enclosed with goods.

Outer Cover Material

Custom Build Your Own Cushions include one incontinence cover and two outer covers

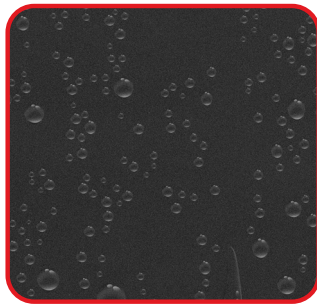


DUAL FABRIC



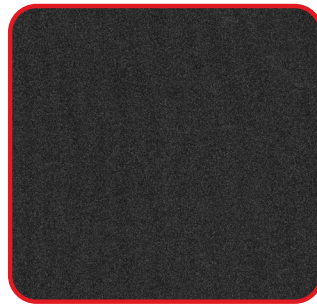
Extremely pliable fabric layers on both sides that stretch well and retain their shape over time. Breathable fabric option.

SPEXTEX WATERPROOF PU



Extremely pliable and will stretch well. Synthetic polyurethane on one side and knitted layer on the other. Non-breathable fabric option.

SPEXTEX KNITTED FABRIC



Extremely pliable and will stretch well. Synthetic polyurethane on one side and knitted layer on the other. Non-breathable fabric option.

MERINO



A superior insulator and temperature regulator. Breathable allowing heat and moisture to flow meaning a drier and more comfortable fabric.

USER CONTACT SURFACE (TOP OF CUSHION)

DUAL FABRIC
(default)

SPEXTEX WATERPROOF
PU (1111-0399-209)

SPEXTEX KNITTED
FABRIC (1111-0399-219)

MERINO
(1111-0399-330)

Select Air Mesh Colour

Black
(default)

Chilli
-022

Mango
-030

Calypso
-028

Royal
-077

Bumblebee
-044

Ocean
-060

Leaf
-054

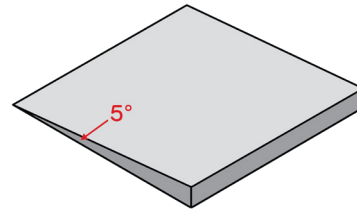
Granite
-090

Options

5-DEGREE CUSHION WEDGE (UNGLUED)

1209-2724-300

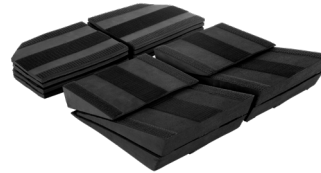
Made to fit specified cushion



EXTRA CUSHION POSITIONING PADS KIT

1146-5959-KIT

Comes as a kit



Additional Notes

Contouring Chart

PLEASE COMPLETE IF YOU WOULD LIKE YOUR CUSHION TO BE PRE-CONTOURED

Front of Cushion	
User's Left Thigh	User's Right Thigh
Enter number of wedges:	Enter number of wedges:
Enter number of pads:	Enter number of pads:
Back of Cushion	



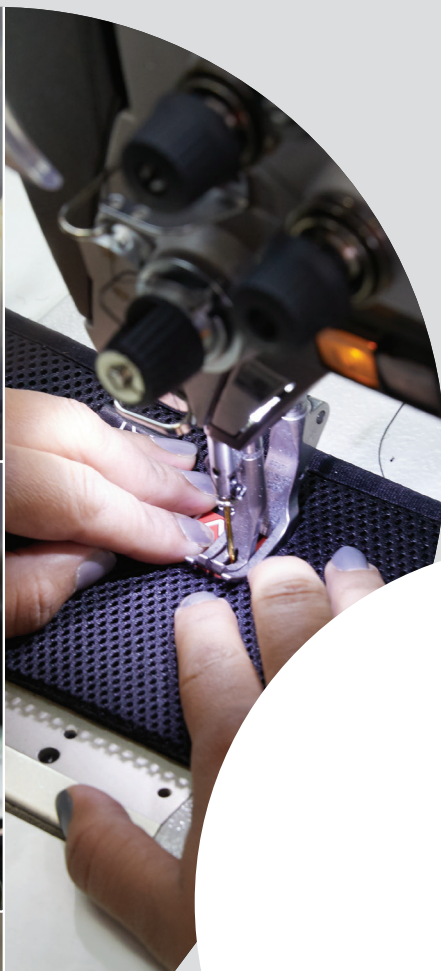
Spex Ltd

32 Detroit Drive
Rolleston 7675
New Zealand

+64 3 307 9790

solutions@spexseating.com

www.spexseating.com



DISTRIBUTED BY:

US	REP	EC	REP
Medicept 200 Homer Ave, Ashland MA 01721, United States Tel: +1-508-231-8842		BEO MedConsulting Berlin GmbH Helmholtzstr. 2 D-10587 Berlin, Germany Tel: +49-30-318045-30	



Script: CustomFlexCushion 20220316