

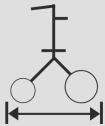


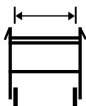
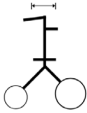

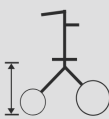

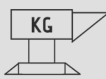
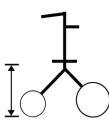
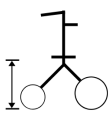
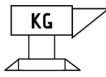
Ellipse Heavy Duty Aluminium Rollator

Product Code: 9346376000765

Features:

- Improved Durable Finish
- Safely Hidden Brake Cable
- Unique Suspension System
- Easily Foldable for Storage
- Adjust Height Tool-Free
- Adjust Brake Tool-Free



Length (cm)		49.5	Folded Width (cm)		22.6	Front Castor Diameter (cm)		25.4/10"
Width (cm)		61	Seat Depth (cm)		22	Rear Castor Diameter (cm)		20.4/8"
Max Height (cm)		104	Seat Width (cm)		58.4	Max Load (kg)		205
Minimum Height (cm)		91.5	Seat Height from the Ground (cm)		60	Net Weight (kg)		9.3