

Ellipse 6" Weight Activated Red

Product Code: 8149-FX




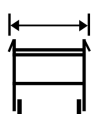







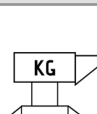
Features:

- AU STD. Tested 491639-1
- PU Seat With No Sharp Edges
- Easy "Push-down" brakes
- Foldable
- Long wearing Finish



ARTG Listing:

- 1868869

Length (cm)		63	Folded Width (cm)		22	Front Castor Diameter (cm)		15.2/6"
Width (cm)		61.5	Seat Depth (cm)		31	Rear Castor Diameter (cm)		15.2/6"
Max Height (cm)		95.5	Seat Width (cm)		35.8	Max Load (kg)		150
Minimum Height (cm)		80	Seat Height from the Ground (cm)		56	Net Weight (kg)		7.3