

Part Number: PT228-02140

Kit Contents

Item #	Quantity Req.	Description
1	2	Front door sill (w/logo)
2	2	Rear door sill (w/o logo)

Hardware Bag Contents

Item #	Quantity Req.	Description
1		
2		
3		

Additional Items Required For Installation

Item #	Quantity Req.	Description
1		
2		
3		

Conflicts

--

Recommended Tools

Personal & Vehicle Protection	Notes
Special Tools	Notes
Surface Thermometer	Infrared non-contact
Installation Tools	Notes
Lint-free cloths	
Masking tape	
Tape measure / scale	
Special Chemicals	Notes
Paint cleaner	VDC approved cleaner

General Applicability

All Corolla models

Recommended Sequence of Application


Item #	Accessory
1	Prepare vehicle surfaces
2	Install front door sill protectors
3	Install rear door sill protectors
4	Complete installation


*Mandatory


Vehicle Service Parts (may be required for reassembly)


Item #	Quantity Req.	Description
1		
2		
3		


Legend


 **STOP:** Damage to the vehicle may occur. Do not proceed until process has been complied with.

 **OPERATOR SAFETY:** Use caution to avoid risk of injury.

 **CAUTION:** A process that must be carefully observed in order to reduce the risk of damage to the accessory/vehicle and to ensure a quality installation.

 **TOOLS & EQUIPMENT:** Used in Figures calls out the specific tools and equipment recommended for this process.

 **REVISION MARK:** This mark highlights a change in installation with respect to previous issue.

 **SAFETY TORQUE:** This mark indicates that torque is related to safety.



Procedure

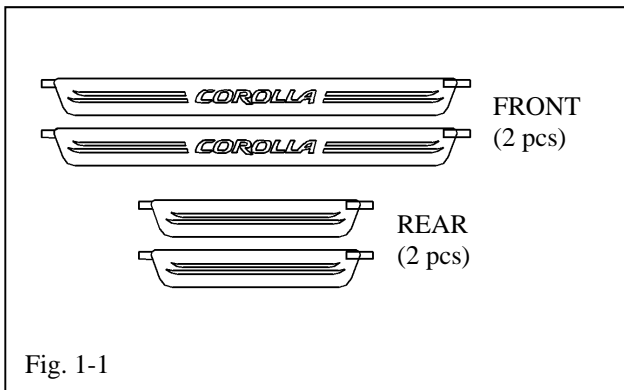
Care must be taken when installing this accessory to ensure damage does not occur to the vehicle. The installation of this accessory should follow approved guidelines to ensure a quality installation.

These guidelines can be found in the "Accessory Installation Practices" document.

This document covers such items as:-

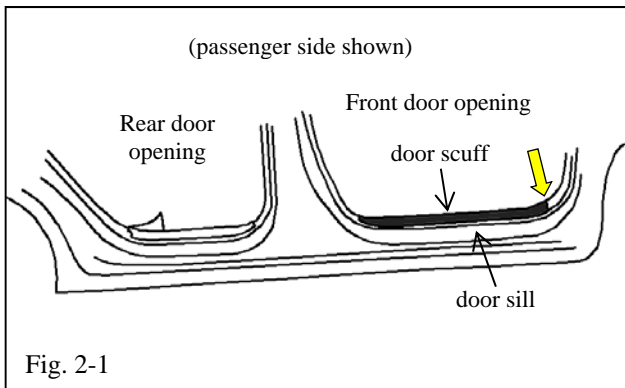
- Vehicle Protection (use of covers and blankets, cleaning chemicals, etc.).
- Safety (eye protection, rechecking torque procedure, etc.).
- Vehicle Disassembly/Reassembly (panel removal, part storage, etc.).
- Electrical Component Disassembly/Reassembly (battery disconnection, connector removal, etc.).

Please see your Toyota dealer for a copy of this document.



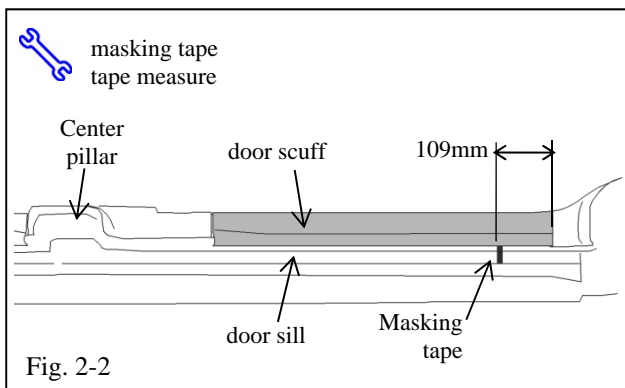
1. Verify Kit Contents

- (a) Check kit for content and damage. (Fig. 1-1)



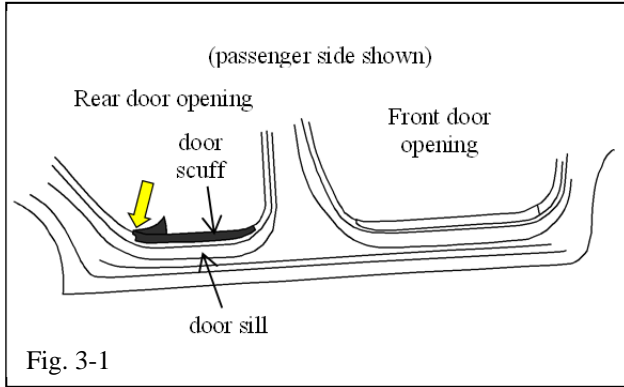
2. Apply tape guide – front door openings

- (a) Locate the forward edge of the front door door scuff (plastic piece). (Fig. 2-1)



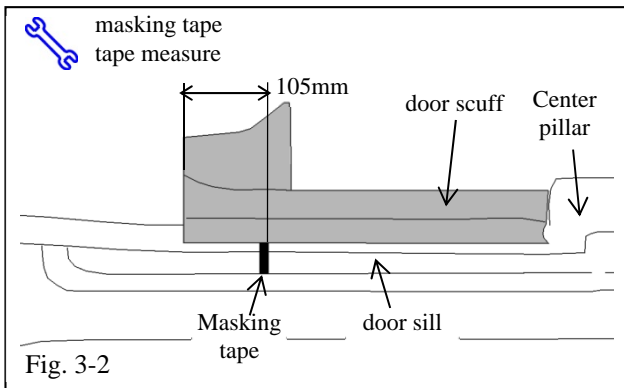
- (b) Apply a piece of masking tape on the door sill 109 mm (~4.25”) behind the front edge of the door scuff. (Fig. 2-2) This is the location for the front edge of the front door sill.

- (c) Repeat for opposite side of vehicle.

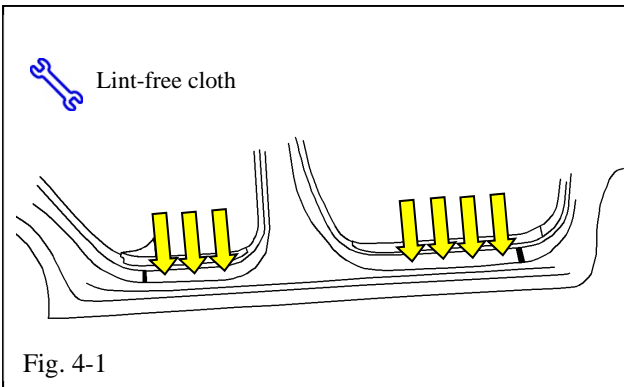


3. Apply tape guide – rear door openings

- (a) Locate the rear edge of the rear door scuff (plastic piece). (Fig. 3-1)



- (b) Apply a piece of masking tape on the door sill 105 mm (4.125”) in front of the rear edge of the door scuff. (Fig. 3-2) This is the location for the back edge of the rear door sill.

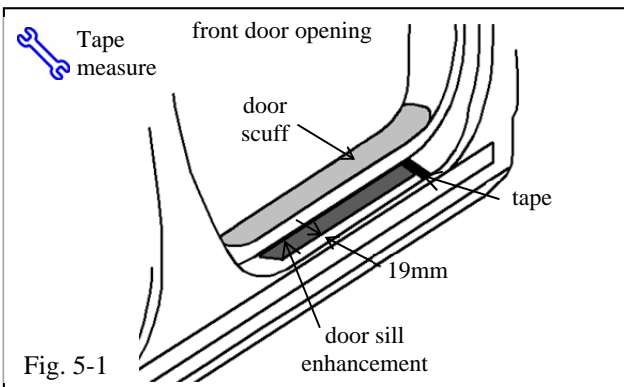


4. Installation Preparation

- (a) Using a lint-free cloth and a VDC approved cleaner, clean the front and rear door sill surfaces thoroughly. (Fig. 4-1)
- (b) Allow cleaner to dry / evaporate completely before applying part.

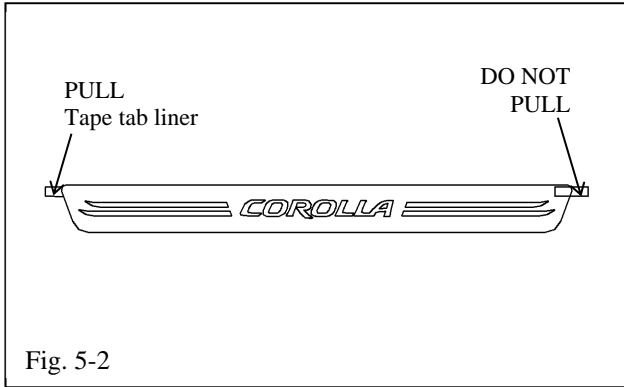


Vehicle and door sill enhancement surface temperatures to be between 65° and 90° F (18° to 32° C)

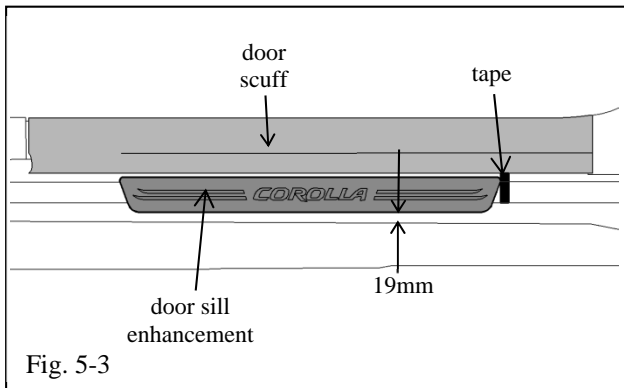


5. Install front door sill enhancements

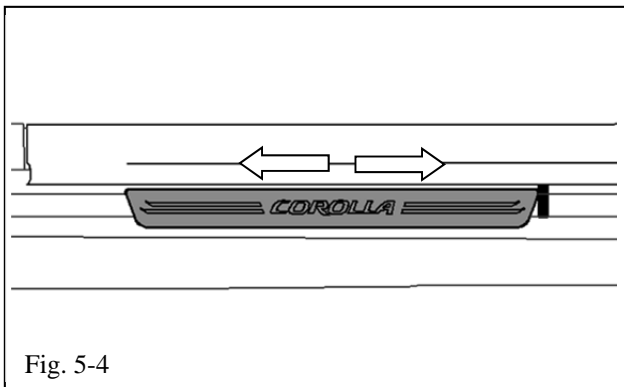
- (a) Using the tape as a guide to locate the front of the door sill enhancement, dry fit the part for alignment reference. Align the part 19mm (3/4”) from the outboard edge of the door sill. (Fig. 5-1)



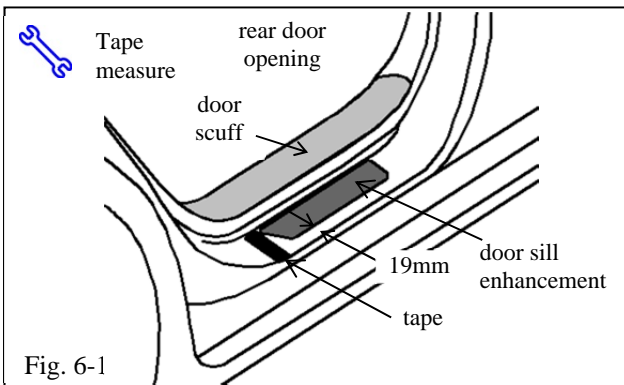
- (b) Remove tape line by pulling LH tab while being careful not to touch or contaminate exposed tape. (Fig. 5-2)



- (c) Align part on vehicle. Ensure that part is oriented so that logo is legible from outside of vehicle. (Fig. 5-3)
- (d) Gently touch part into position and adjust as necessary.

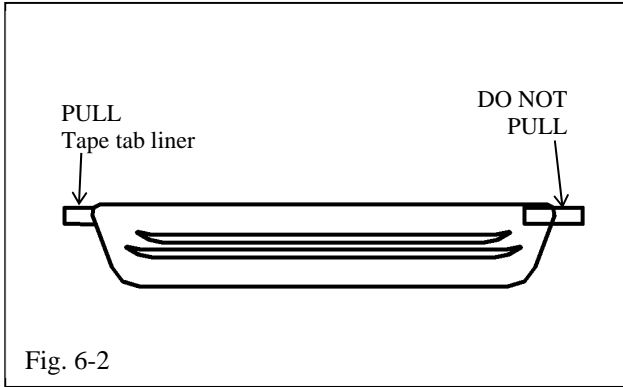


- (e) Once in position, apply hand pressure across part to create adhesive contact. Begin pressing from the center of the part and move outward towards the edges. (Fig. 5-4)
- (f) Repeat steps 5(a) thru 5(e) on opposite side of vehicle to install other front door sill enhancement.

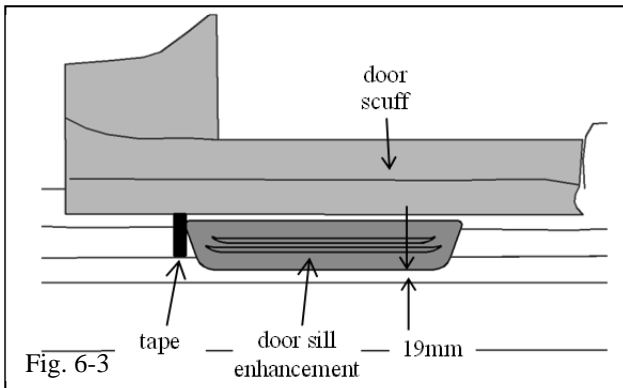


6. Install rear door sill enhancements

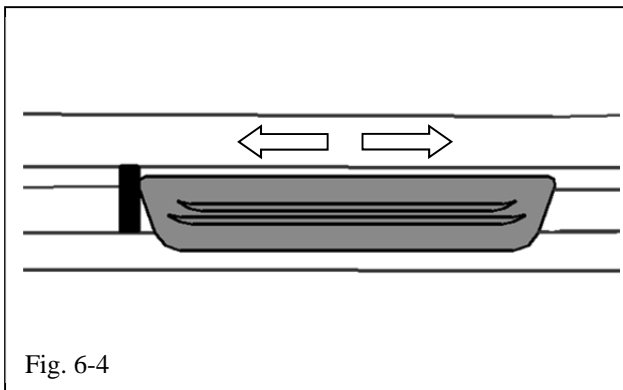
- (a) Using the tape as a guide to locate the rear of the door sill enhancement, dry fit the part for alignment reference. Align the part 19 mm (3/4”) from outboard edge of door sill.



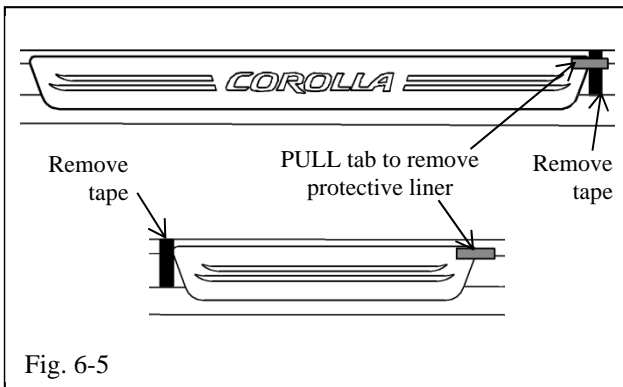
- ⚠ (b) Remove tape liner by pulling LH tab while being careful not to touch or contaminate exposed tape. (Fig. 6-2)



- ⚠ (c) Align part on vehicle. Ensure that part is oriented as shown in figure. (Fig. 6-3)
- (d) Gently touch part into position and adjust as necessary.



- (e) Once in position, apply hand pressure across part to create adhesive contact. Begin pressing from the center of the part and move outward towards the edges. (Fig. 6-4)
- (f) Repeat steps 6(a) thru 6(e) on opposite side of vehicle to install other rear door sill enhancement.



7. Complete Installation

- (a) Once installation of both front and rear door sill enhancements is complete, remove the masking tape used to locate the parts.
- (b) Using the tab on the RH side of the part, pull the clear protective liner off the top of the parts. (Fig. 6-5)

TOYOTA COROLLA 2014 - DOOR SILL ENHANCEMENTS

Checklist - these points **MUST** be checked to ensure a quality installation.

<u>Check:</u>	<u>Look For:</u>
<p><u>Accessory Function Checks</u></p> <ul style="list-style-type: none"><input type="checkbox"/> Proper adhesion <input type="checkbox"/> Proper alignment <input type="checkbox"/> Tape and protective film removal	<p>Part should be securely attached to the vehicle. There should be no loose edges around the outside of the part.</p> <p>Part should be aligned to outside edge of door sill at a distance of 19 +0/-4 mm</p> <p>Ensure that masking tape guide and door sill enhancement protective film are removed</p>
<p><u>Vehicle Function Checks</u></p> <ul style="list-style-type: none"><input type="checkbox"/> Door Operation	<p>The doors must be able to open and close without any interference from the door sill enhancements.</p>
<p><u>Vehicle Appearance Check</u></p> <ul style="list-style-type: none"><input type="checkbox"/> After accessory installation and removal of protective cover(s), perform a visual inspection.	<p>Ensure no damage (including scuffs and scratches) was caused during the installation process. (For PPO installations, refer to TMS Accessory Quality Shipping Standard.)</p>