

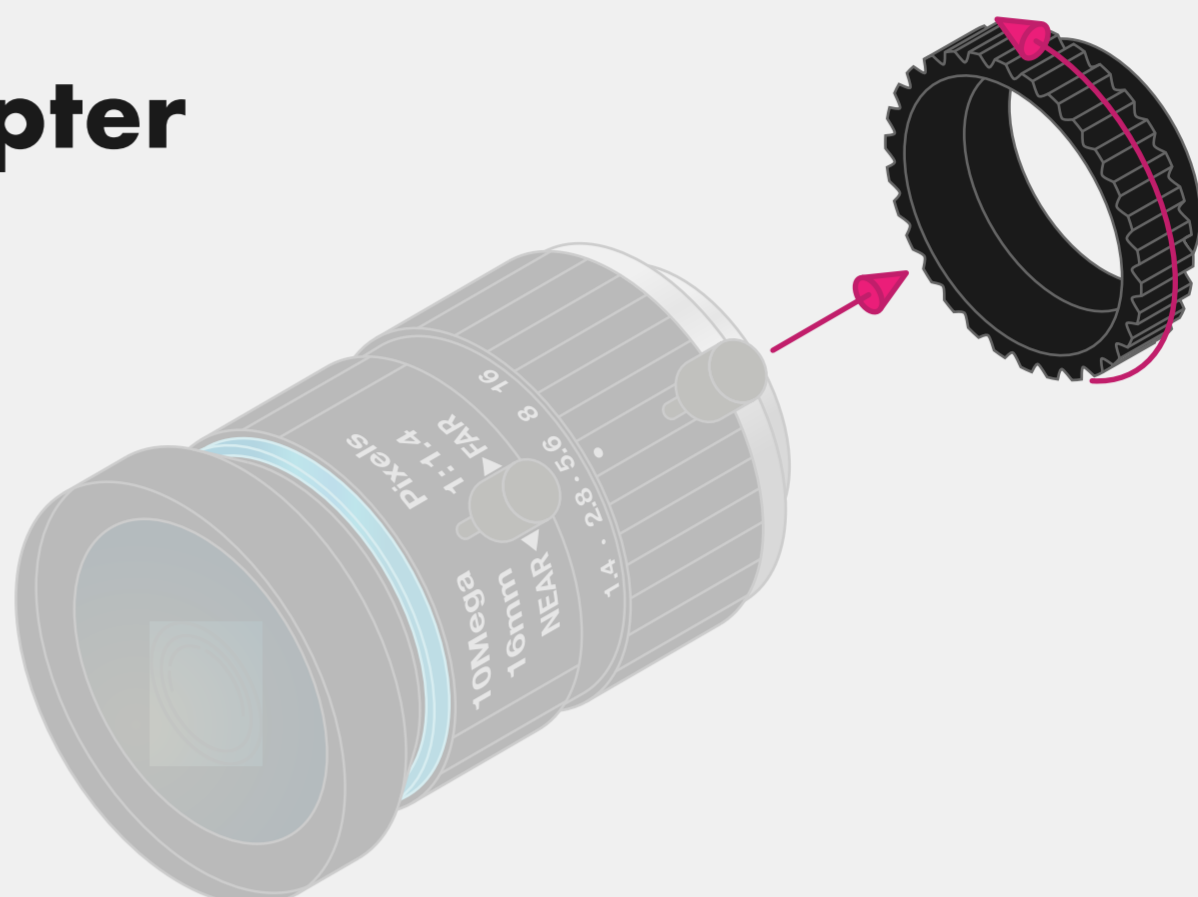
16 mm C-mount lens

The 16 mm lens provides a higher quality image than the 6 mm lens. It has a narrow angle of view which is more suited to viewing distant objects.



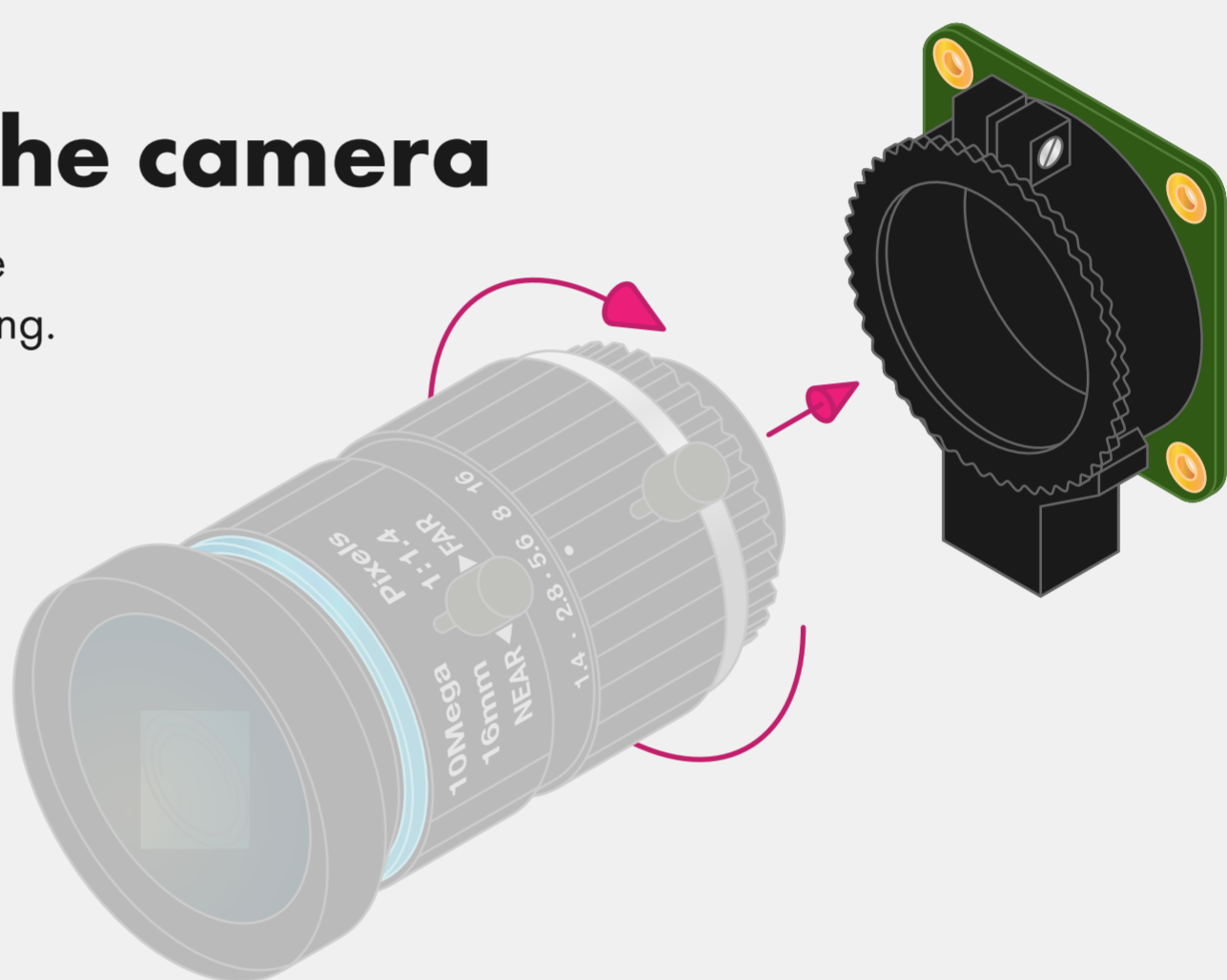
Fitting the C-CS adapter

Ensure the C-CS adapter that comes with the High Quality Camera is fitted to the lens. The lens is a C-mount device, so it has a longer back focus than the 6 mm lens and therefore requires the adapter.



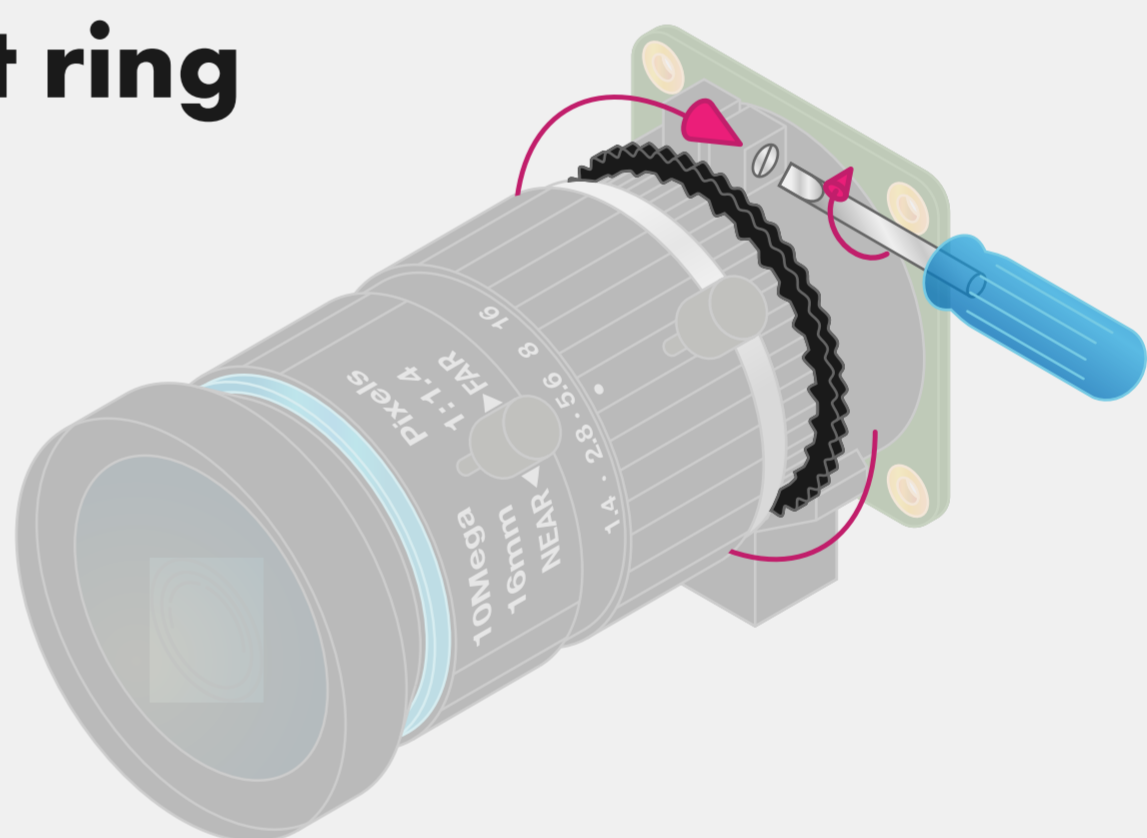
Fitting the lens to the camera

Rotate the lens and C-CS adapter clockwise all the way into the back focus adjustment ring.



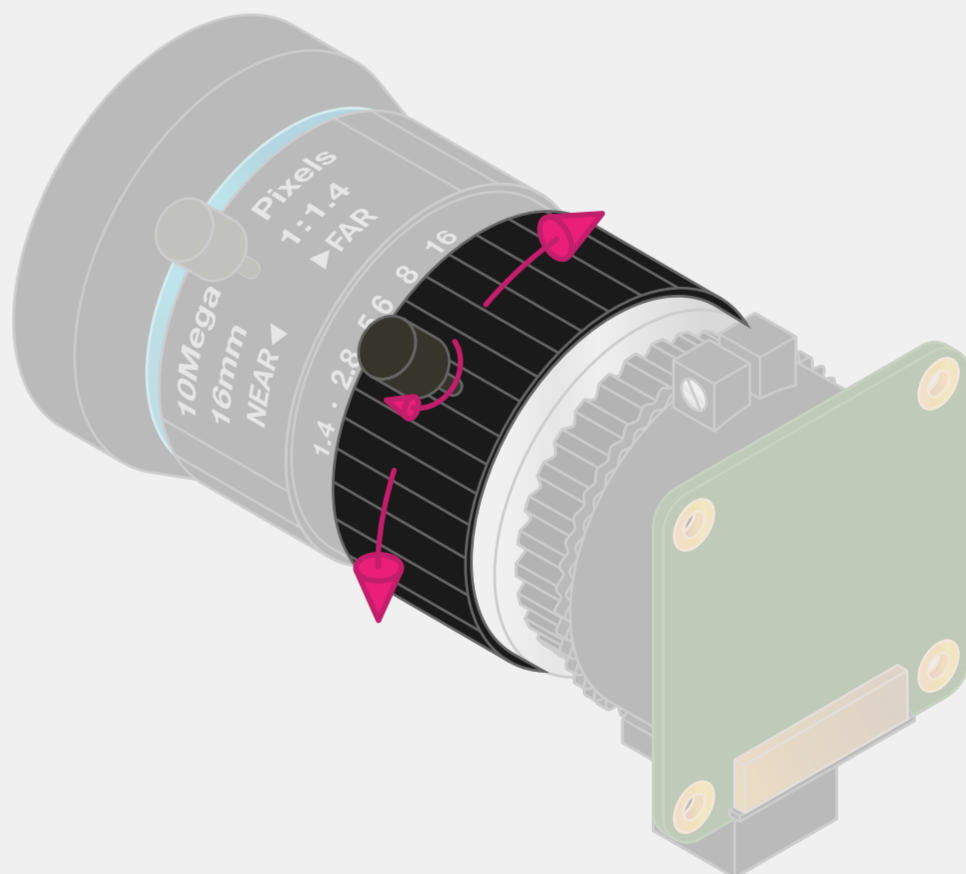
Back focus adjustment ring and lock screw

The back focus adjustment ring should be screwed in fully. Use the back focus lock screw to make sure it does not move out of this position when adjusting the aperture or focus.



Aperture

To adjust the aperture, hold the camera with the lens facing away from you. Turn the inner ring, closest to the camera, while holding the camera steady. Turn clockwise to close the aperture and reduce image brightness. Turn anti-clockwise to open the aperture. Once you are happy with the light level, tighten the screw on the side of the lens to lock the aperture into position.



Focus

To adjust focus, hold the camera with the lens facing away from you. Turn the focus ring, labelled "NEAR ◀ ▶ FAR", anti-clockwise to focus on a nearby object. Turn it clockwise to focus on a distant object. You may find you need to adjust the aperture again after this.

