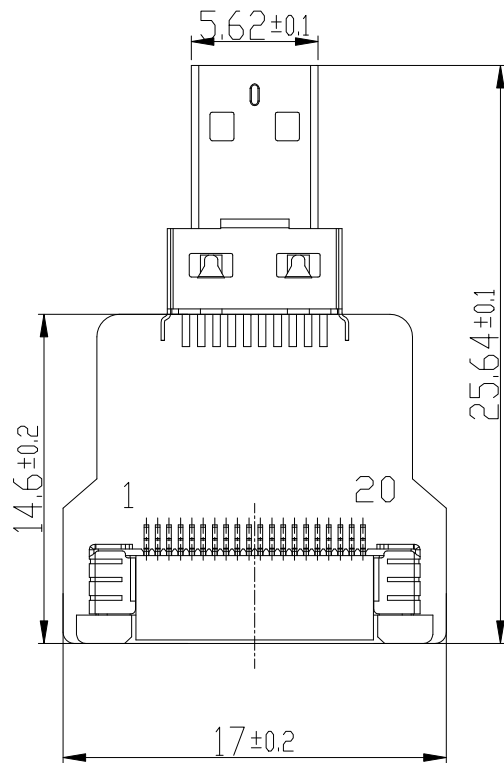


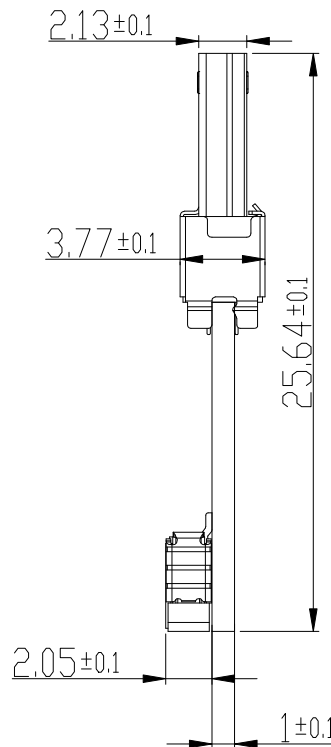
# PIN 定义

NO	SYMBOL
1	+5VPower
2	+5VPower
3	+5VPower
4	Hot Plug Detect
5	SDA
6	SCL
7	CEC
8	Ground
9	Ground
10	TMDS Clock-
11	TMDS CLOCK+
12	Ground
13	TMDS Data0-
14	TMDS Data0+
15	Ground
16	TMDS Data1-
17	TMDS Data1+
18	Ground
19	TMDS Data2-
20	TMDS Data2+

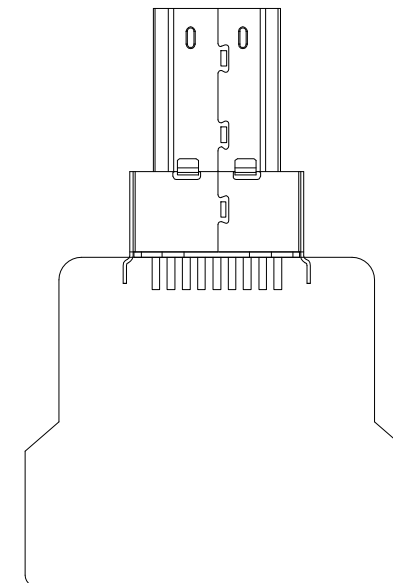
## DIY HDMI Cable Parts - Straight Micro HDMI Plug



Top View



Side View



Bottom View

REVISIONS					
Mark	REV.	Description	Date	Drawn	Approved
△	V1.0	Intail	2023.6.6	Arlandq	

未注公差 x ±0.1 .x ±0.1 .xx ±0.05 .xxx ±0.005 Angle ±0.5°	<b>SHENZHEN XUAN YAO ELECTRONICS CO,LIMITED</b>					
	CUS. Name:	-			CUS. No:	-
	Prepared:	Arlandq	Date	2023.6.6	DOS. No:	-
	Checked:		Date		Scale:	1:1 Unit: MM
Approod:		Date		⊕	Third Angle A4	