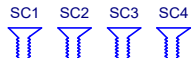
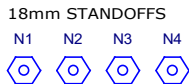
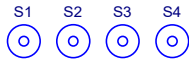
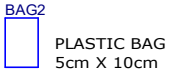
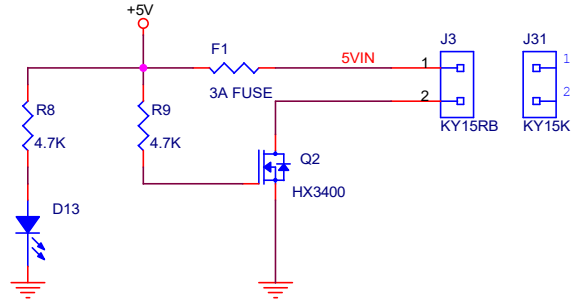
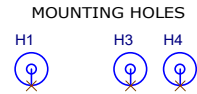


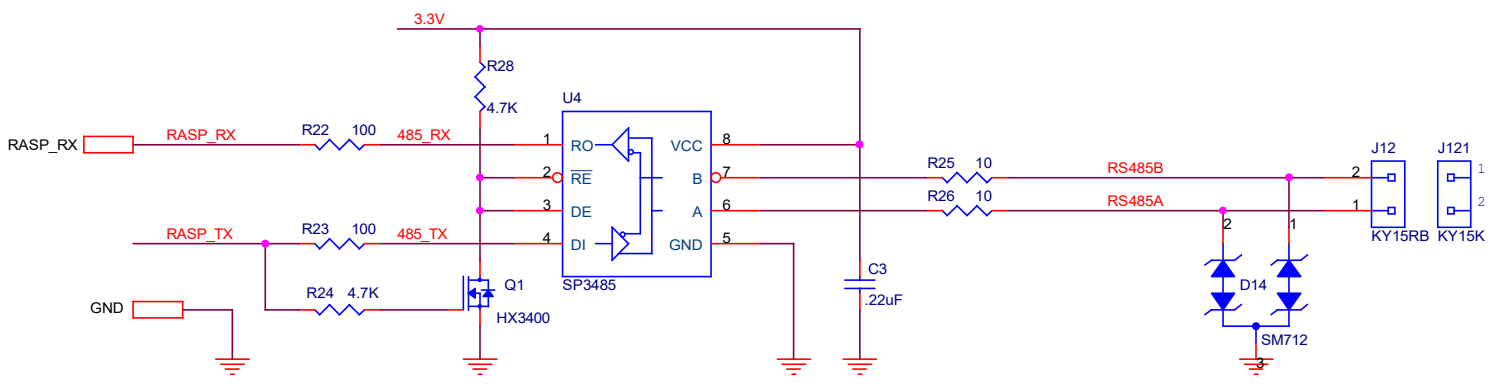
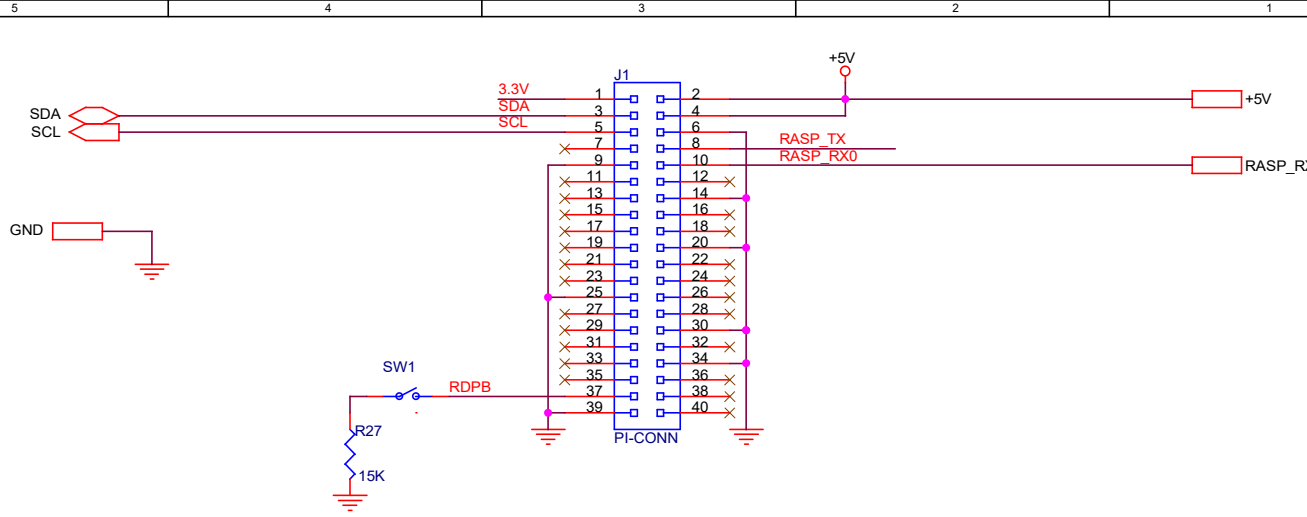
CONNECTOR PLUGS



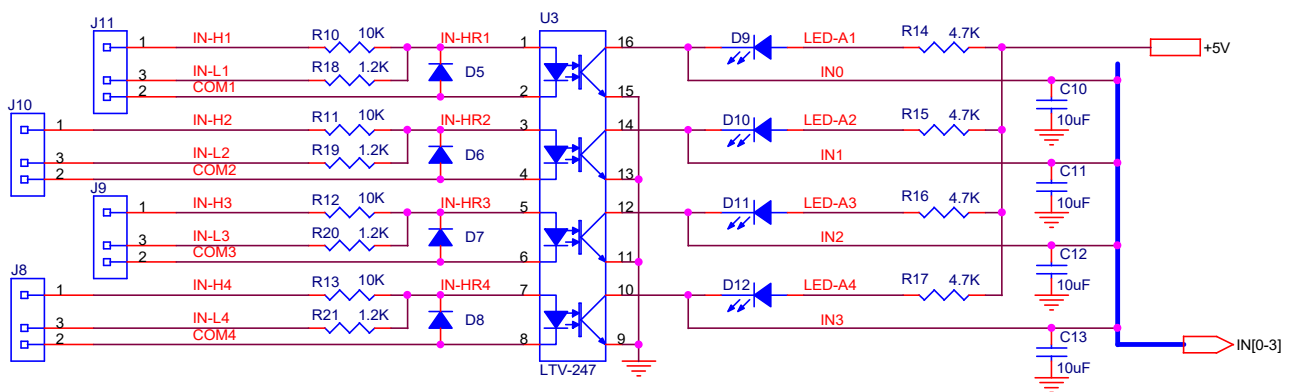
ID Jumpers



SEQUENTMICROSYSTEMS.COM		
Title: 4 RELAYS-PLUS		
Size A	Document Number: BLOCK DIAGRAM	Rev: 1.1
Date: Wednesday, February 17, 2021	Sheet: 1	of 5

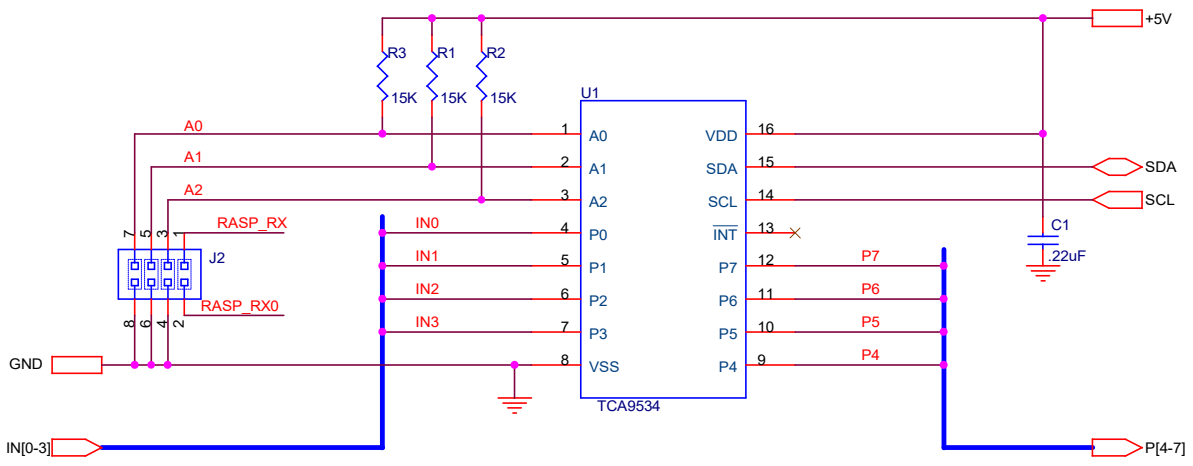


SEQUENTMICROSYSTEMS.COM		
Title		
4 RELAYS-PLUS		
Size	Document Number	Rev
A	CONNECTORS	1.1
Date:	Wednesday, February 17, 2021	Sheet 2 of 5
	2	1



LTV-247 needs 2mA input to xfer 1mA output
 1K resistor for 3-24V, 10K for 24-240V

SEQUENTMICROSYSTEMS.COM		
Title		
4 RELAYS-PLUS		
Size	Document Number	Rev
A	INPUTS	1.1
Date:	Wednesday, February 17, 2021	Sheet 3 of 5
	2	1



SEQUENTMICROSYSTEMS.COM		
Title		
4 RELAYS-PLUS		
Size	Document Number	Rev
A	IO EXPANDER	1.1
Date:	Wednesday, February 17, 2021	Sheet 4 of 5
	2	1

D

D

C

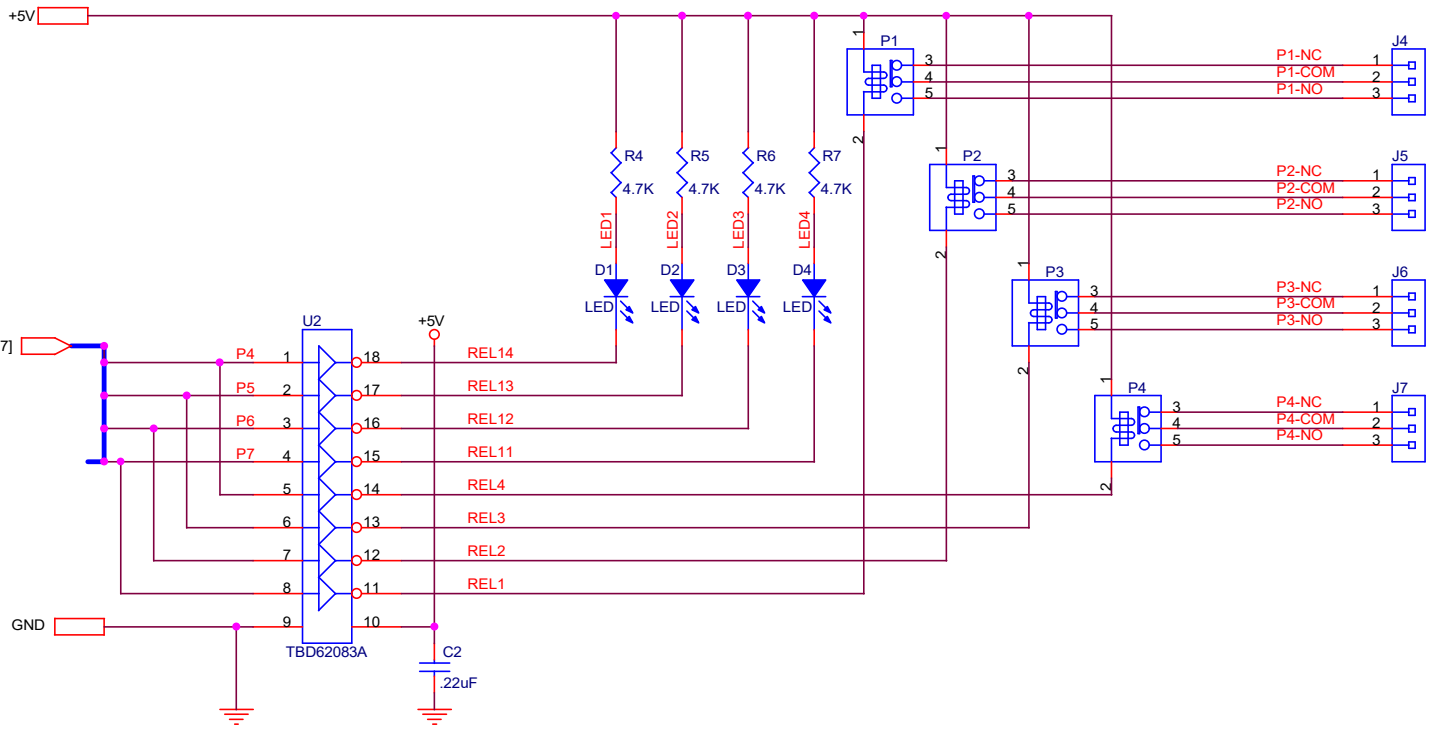
C

B

B

A

A



SEQUENTMICROSYSTEMS.COM		
Title		
4 RELAYS-PLUS		
Size	Document Number	Rev
A	RELAYS	1.1
Date:	Wednesday, February 17, 2021	Sheet 5 of 5
	2	1