

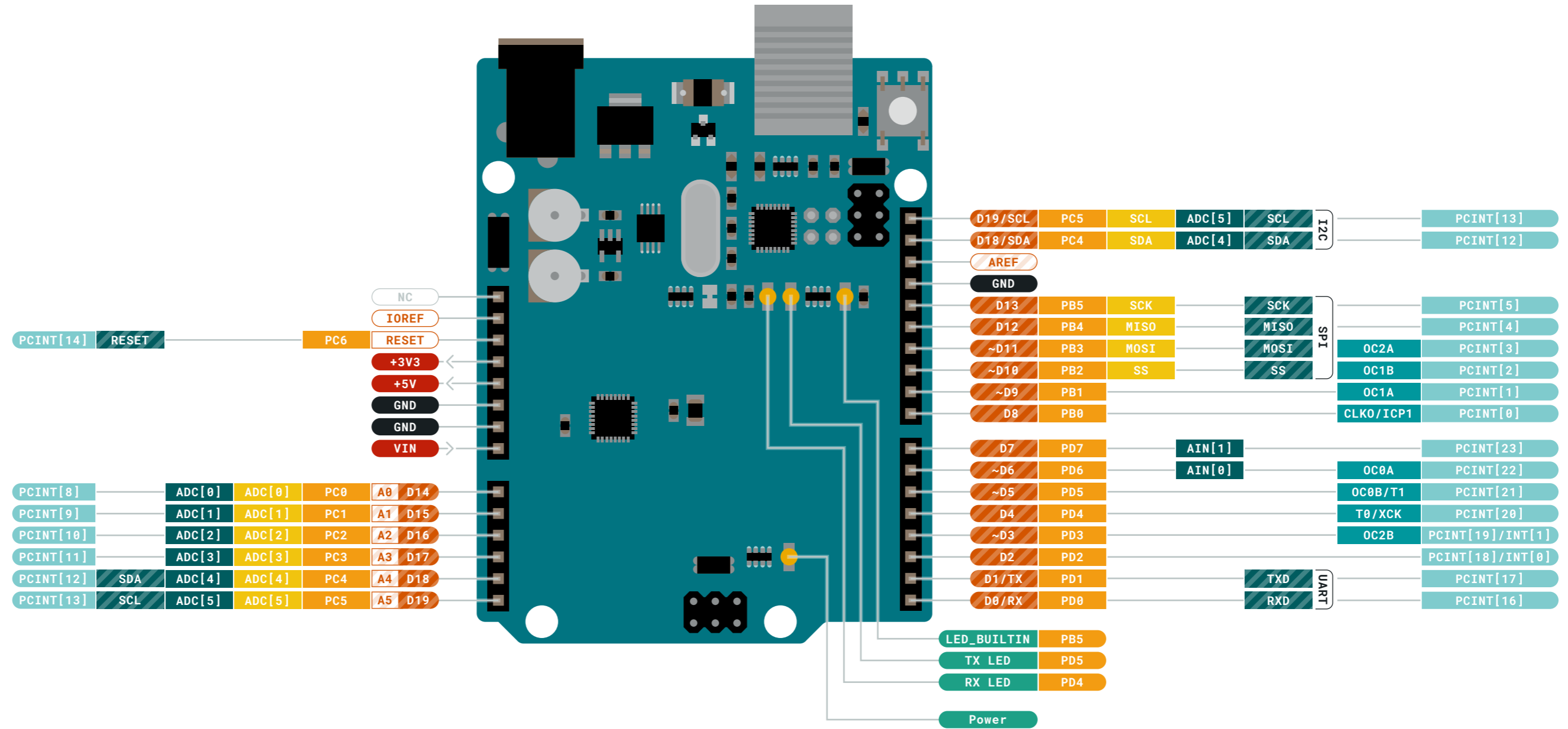
- Ground
- Power
- LED
- Internal Pin
- SWD Pin
- Digital Pin
- Analog Pin
- Other Pin
- Microcontroller's Port
- Default

⚠ **MAXIMUM** current per I/O pin is 20mA

⚠ **MAXIMUM** current per +3.3V pin is 50mA

VIN 6-20 V input to the board.





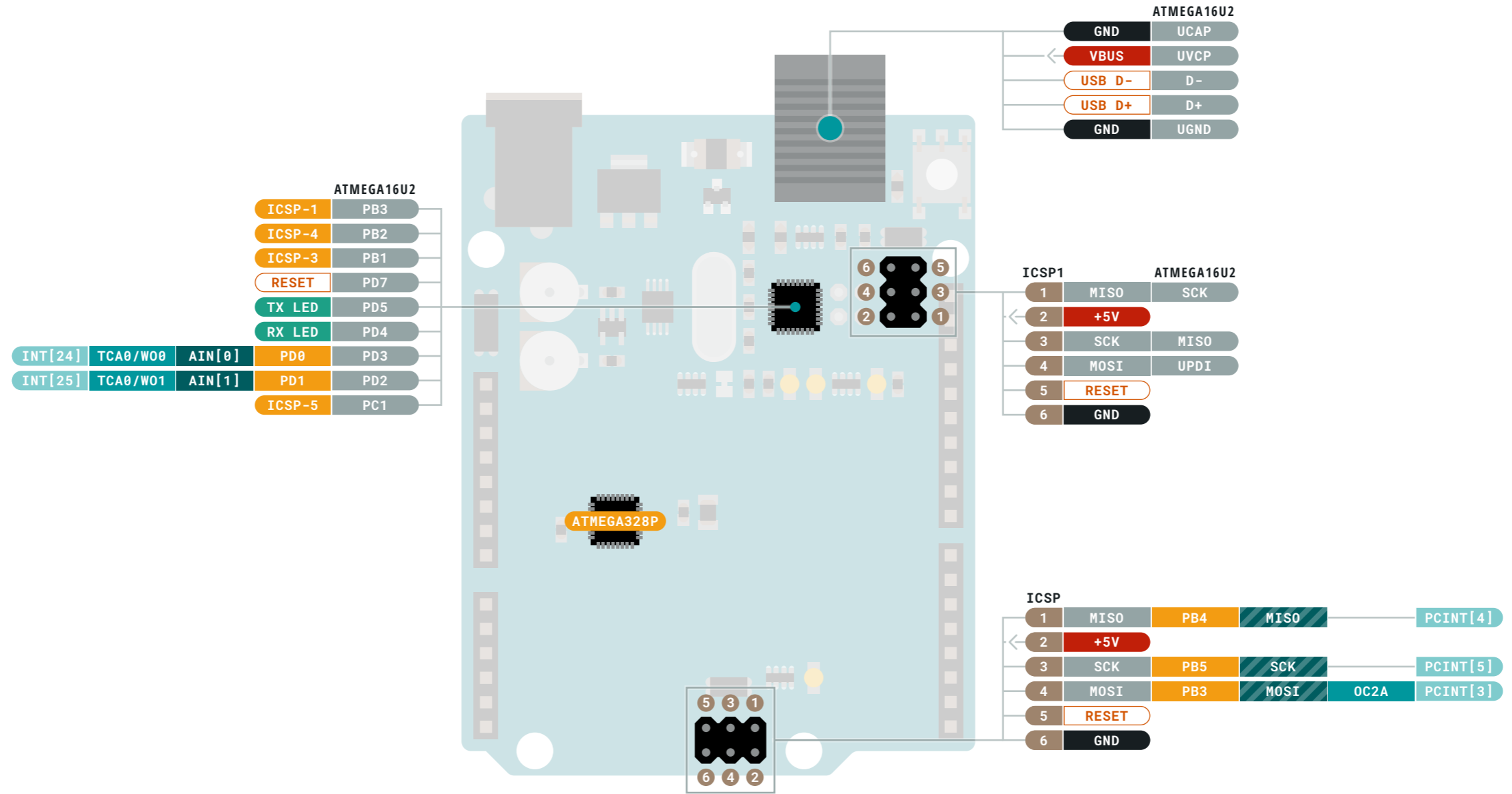
- Ground
- Power
- LED
- Internal Pin
- SWD Pin
- Digital Pin
- Analog Pin
- Other Pin
- Microcontroller's Port
- Default
- Analog
- Communication
- Timer
- Interrupt
- Sercom

MAXIMUM current per I/O pin is 20mA

MAXIMUM current per +3.3V pin is 50mA

VIN 6-20 V input to the board.





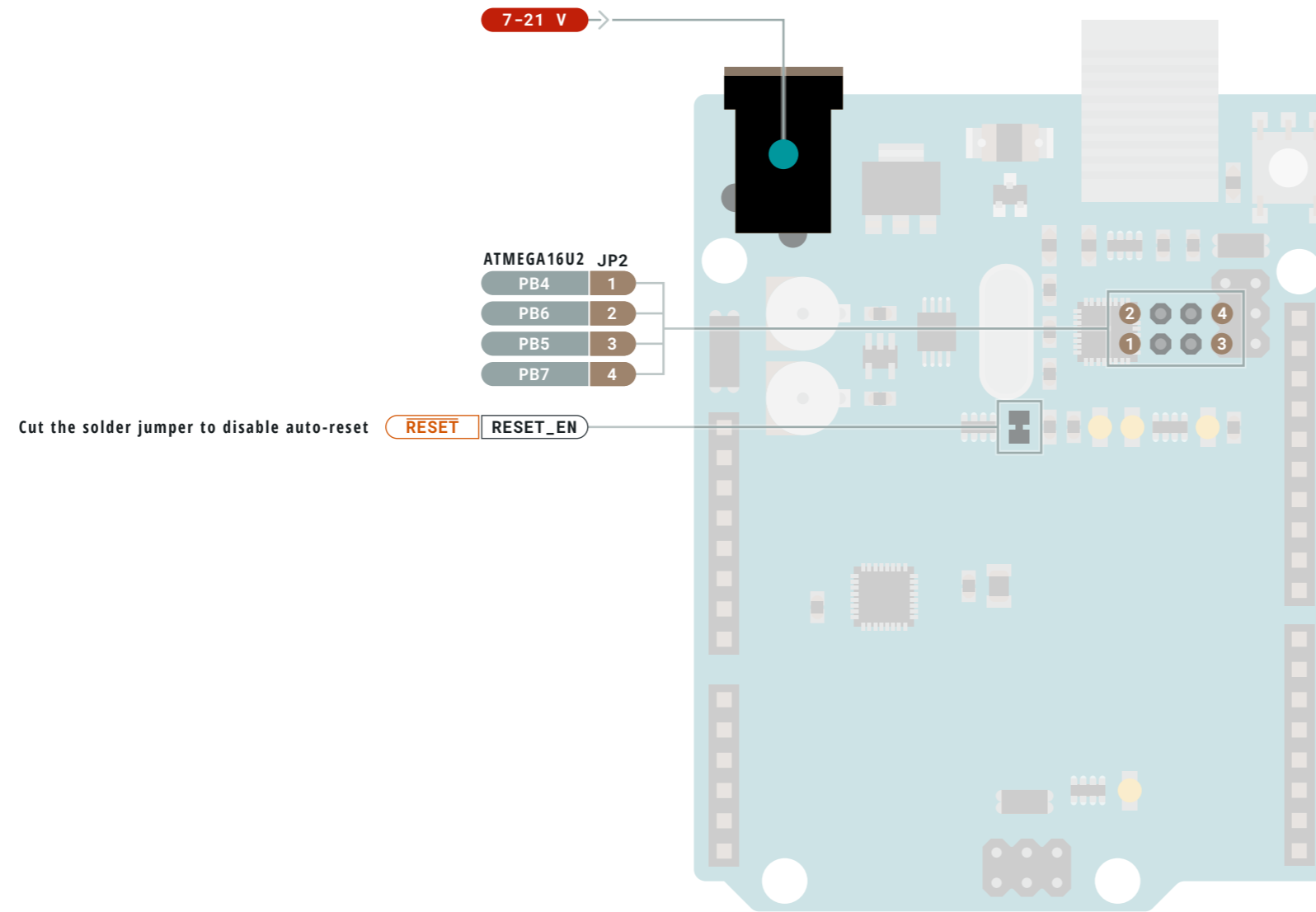
Ground	Digital Pin	Analog
Power	Analog Pin	Communication
LED	Other Pin	Timer
Internal Pin	Microcontroller's Port	Interrupt
SWD Pin	Default	Sercom

MAXIMUM current per I/O pin is 20mA

MAXIMUM current per +3.3V pin is 50mA

VIN 6-20 V input to the board.





- Ground
- Power
- LED
- Internal Pin
- SWD Pin
- Digital Pin
- Analog Pin
- Other Pin
- Microcontroller's Port
- Default
- SJ Pin
Making a short circuit using the solder jumper allows only the function in the SJ Pin cells.

- ⚠ **MAXIMUM** current per I/O pin is 20mA
- ⚠ **MAXIMUM** current per +3.3V pin is 50mA

VIN 6-20 V input to the board.

