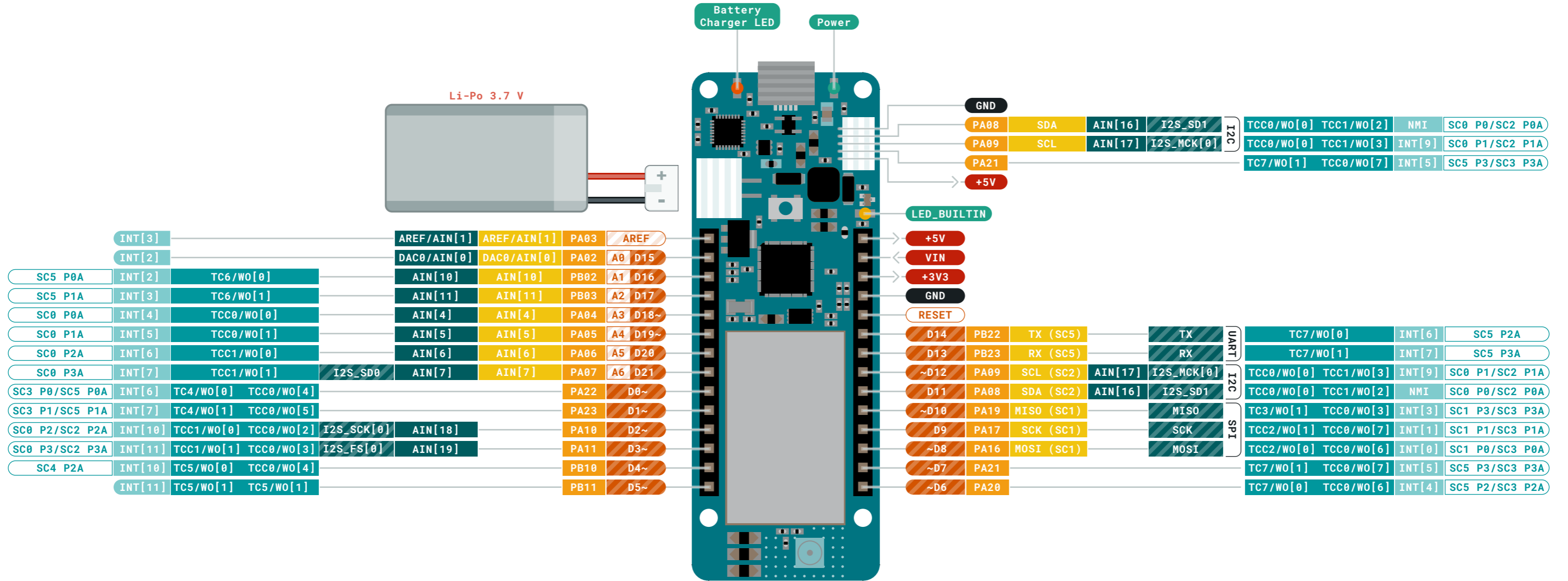


- Ground
- Power
- LED
- Internal Pin
- SWD Pin
- Digital Pin
- Analog Pin
- Other Pin
- Microcontroller's Port
- Default

- ⚠ **MAXIMUM** current per pin is 7mA
- ⚠ **MAXIMUM** source current is 46mA
- ⚠ **MAXIMUM** sink current is 65mA per pin group

**VIN** Input voltage to the board.



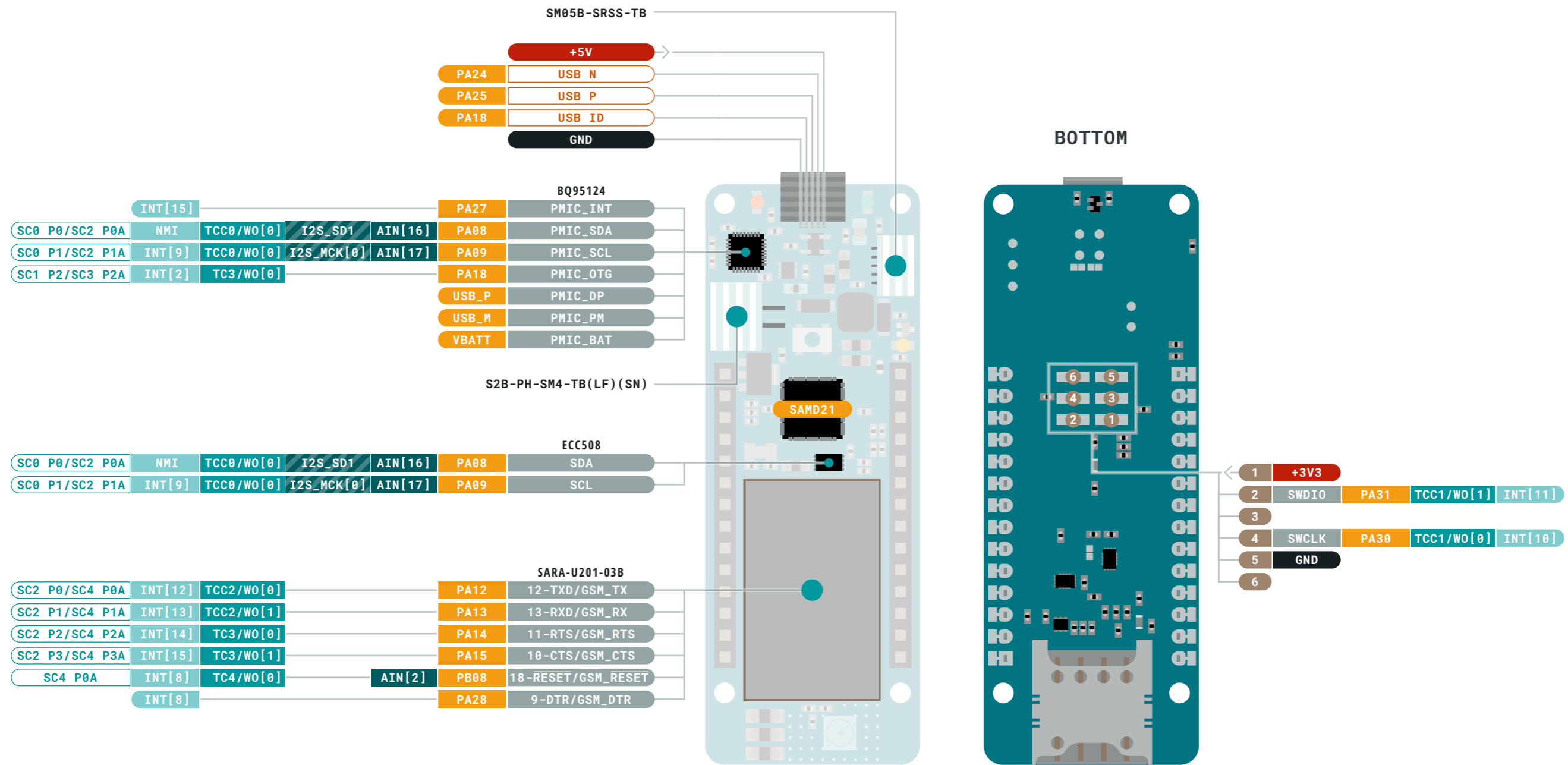


Ground	Digital Pin	Analog Pin	Analog
Power	Other Pin	Microcontroller's Port	Communication
LED	Default	Timer	Interrupt
Internal Pin		Sercom	
SWD Pin			

- MAXIMUM** current per pin is 7mA
- MAXIMUM** source current is 46mA
- MAXIMUM** sink current is 65mA per pin group

**VIN** Input voltage to the board.





Ground	Digital Pin	Analog Pin	Analog
Power	Analog Pin	Other Pin	Communication
LED	Microcontroller's Port	Default	Timer
Internal Pin	Microcontroller's Port	Interrupt	Sercom
SWD Pin	Microcontroller's Port	Default	

- MAXIMUM** current per pin is 7mA
- MAXIMUM** source current is 46mA
- MAXIMUM** sink current is 65mA per pin group

**VIN** Input voltage to the board.

