

8 7 6 5 4 3 2 1

F F

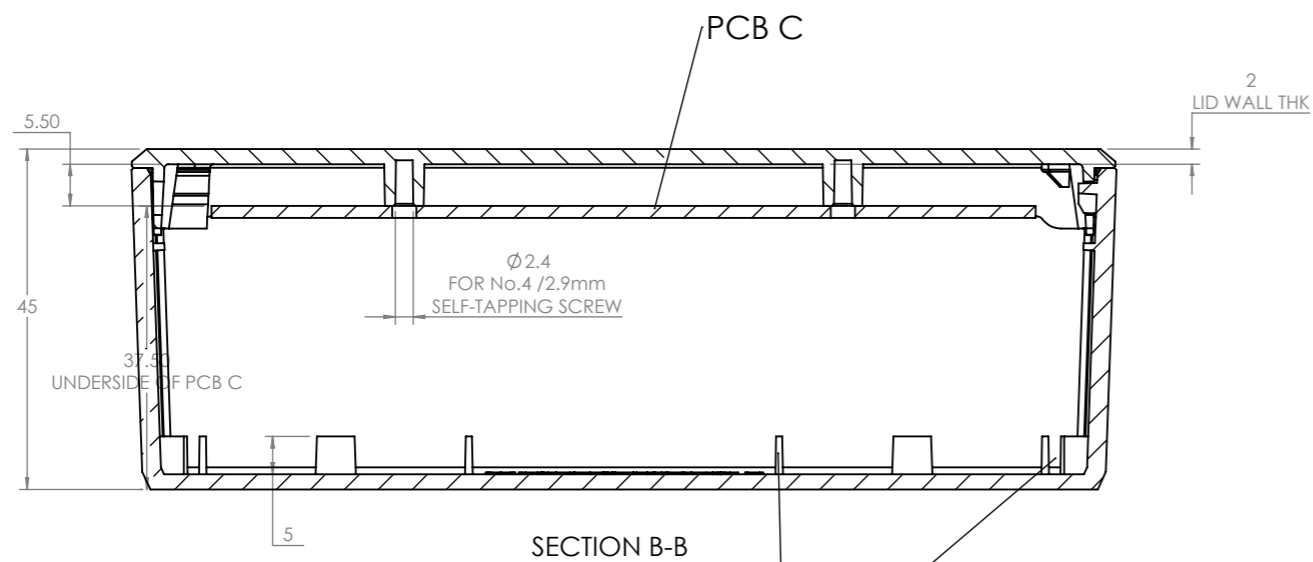
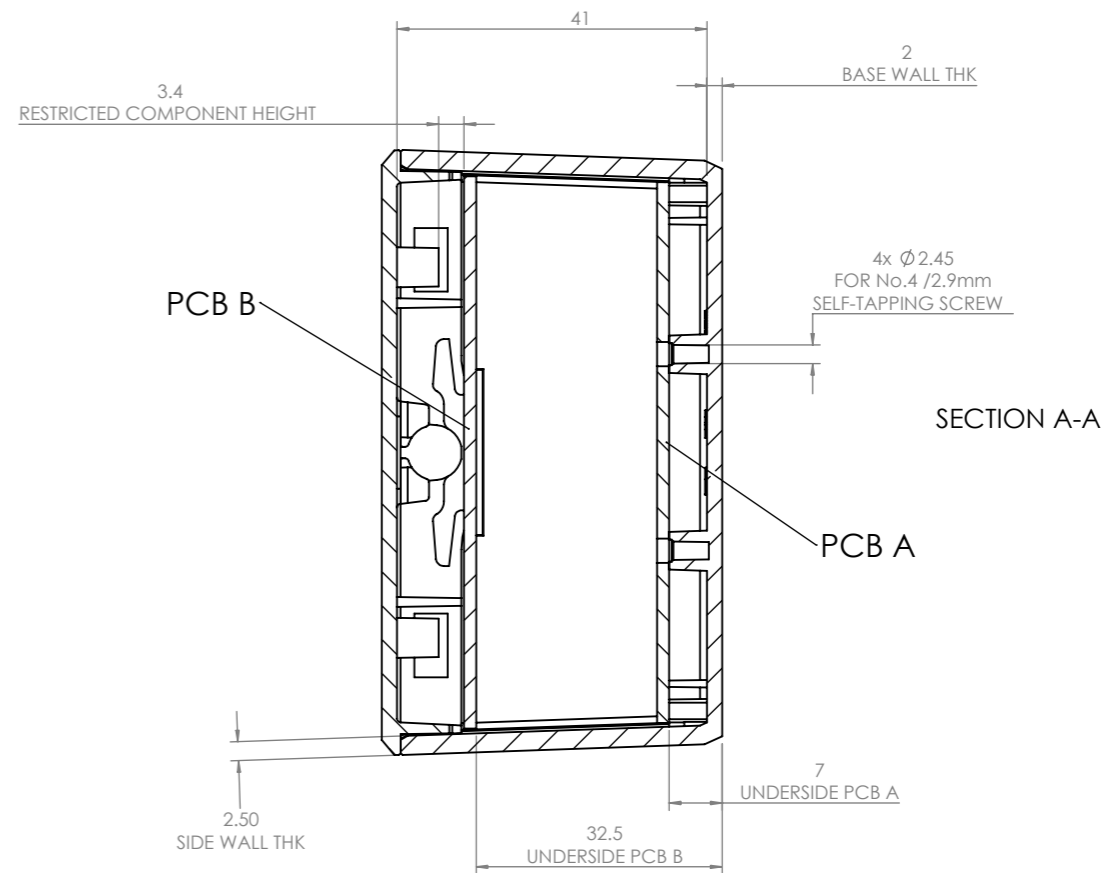
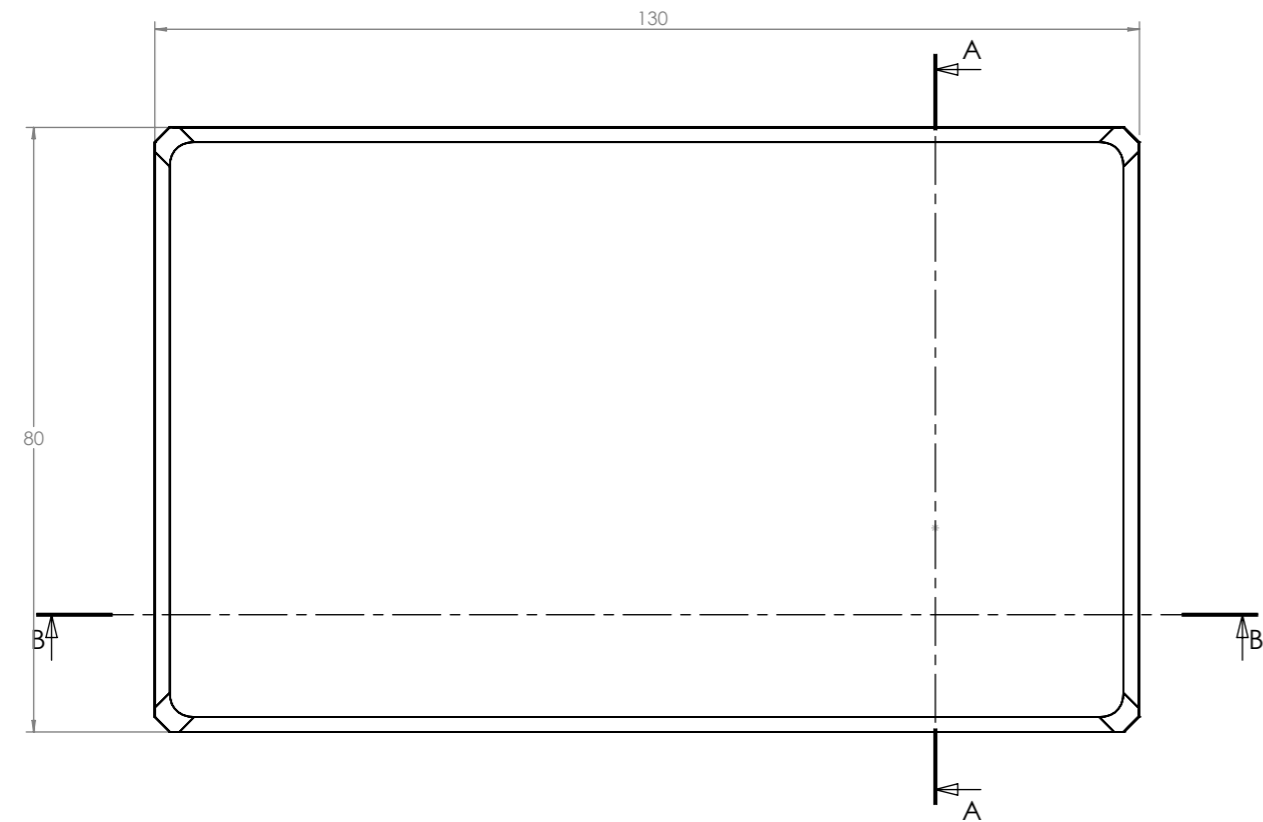
E E

D D

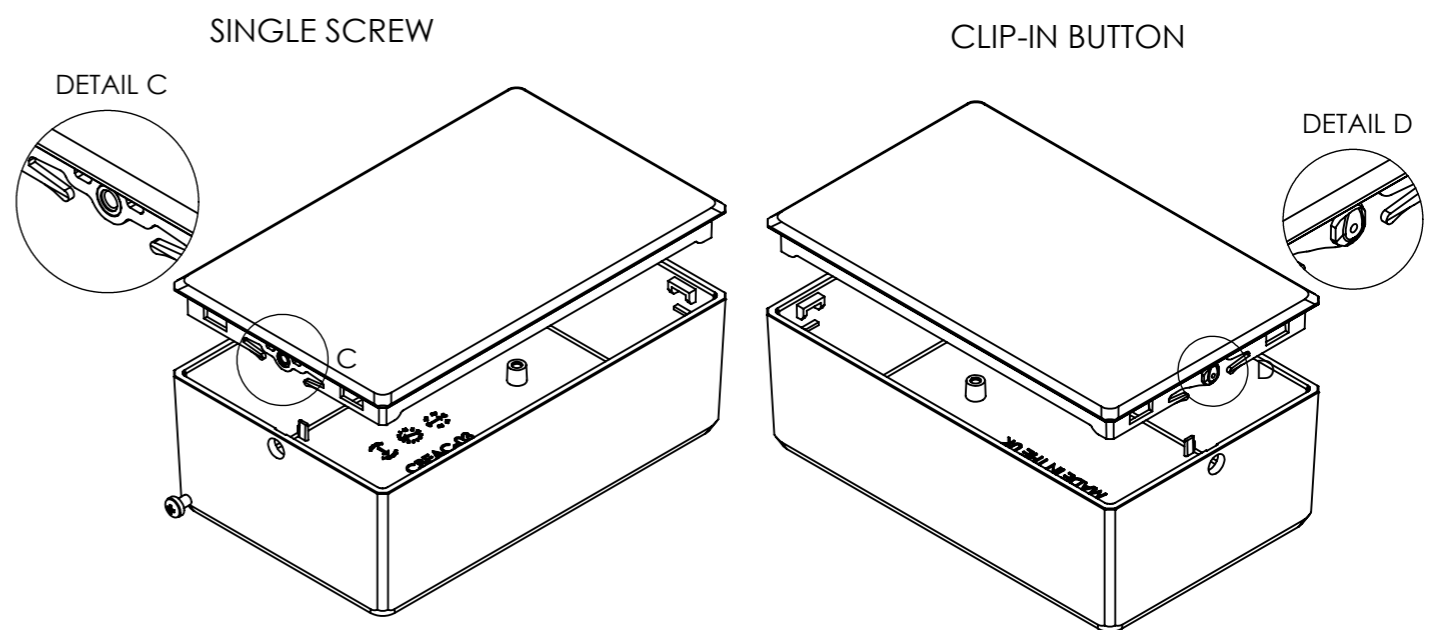
C C

B B

A A



REVERSE LID, RETAINING OPTIONS:

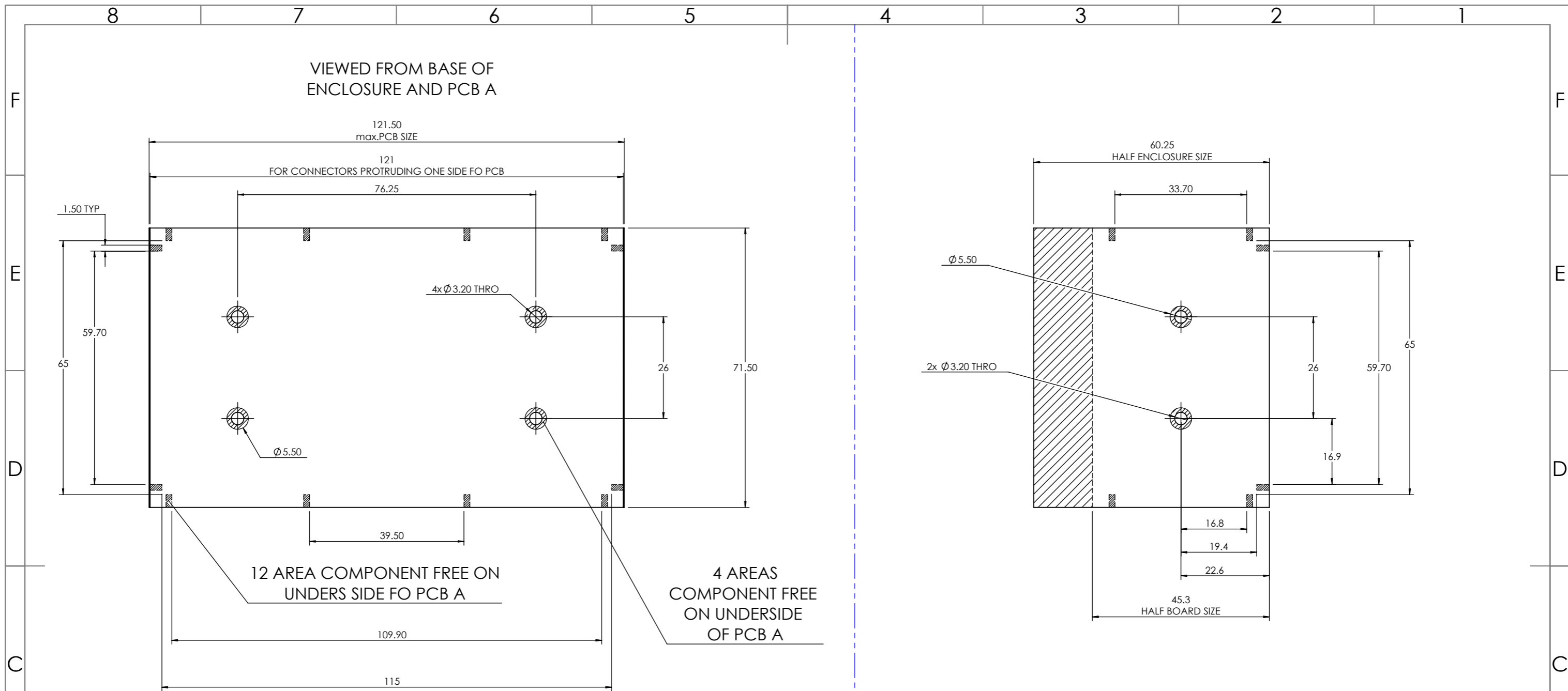


COLOUR	RAL
BLACK	9005
LIGHT GREY	7047
WHITE	9003

REVISION	DATE	ECR	DESCRIPTION	NAME	CHK'D
0.0	13/09/20		FIRST DRAWN	L.PAGANO	S.HARDINGE

	COLOUR:	SEE TABLE	DEBURR AND BREAK SHARP EDGES	DO NOT SCALE DRAWING	SCALE: 1:A SHEET 1 OF 3
	FINISH:	VDI 30 OUTSIDE SURFACE	TITLE: GNL ASSY DRG FOR SIZE 3 EASY ASSEMBLY ELECTRONICS ENCLOSURE		
DRAWING UNITS: MILLIMETERS TOLERANCES: +/-0.2	PROJECTION:	MATERIAL:	UL94-V0 ABS	DWG NO. CBEAC-03	A3

8 7 6 5 4 3 2 1



### PCB A

SCREWS TO BASE OF ENCLOSURE

CONNECTORS MAY PROTRUDE THROUGH SIDE WALL OF BASE, EITHER:

- i. ALONG SHORT EDGE OF PCB, ON OPPOSITE END TO HOLE IN BASE

or

- ii. ALONG ONE LONG EDGE OF PCB, WITH REDUCED max. PCB LENGTH

### PCB A HALF BOARD


SCREWS TO BASE OF ENCLOSURE

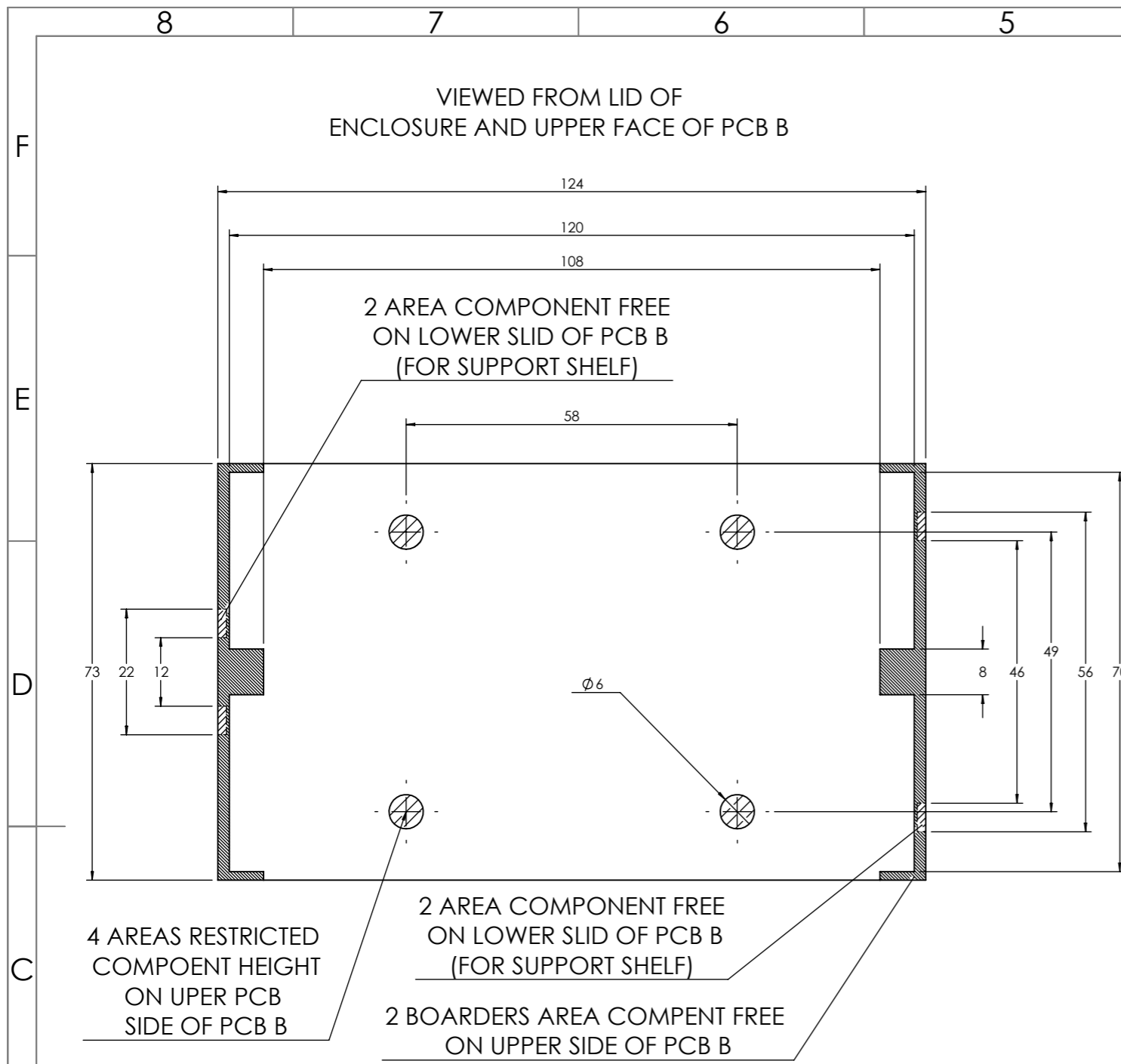
CONNECTORS MAY PROTRUDE THROUGH SIDE WALL OF BASE, EITHER:

- i. ALONG SHORT EDGE OF PCB

or

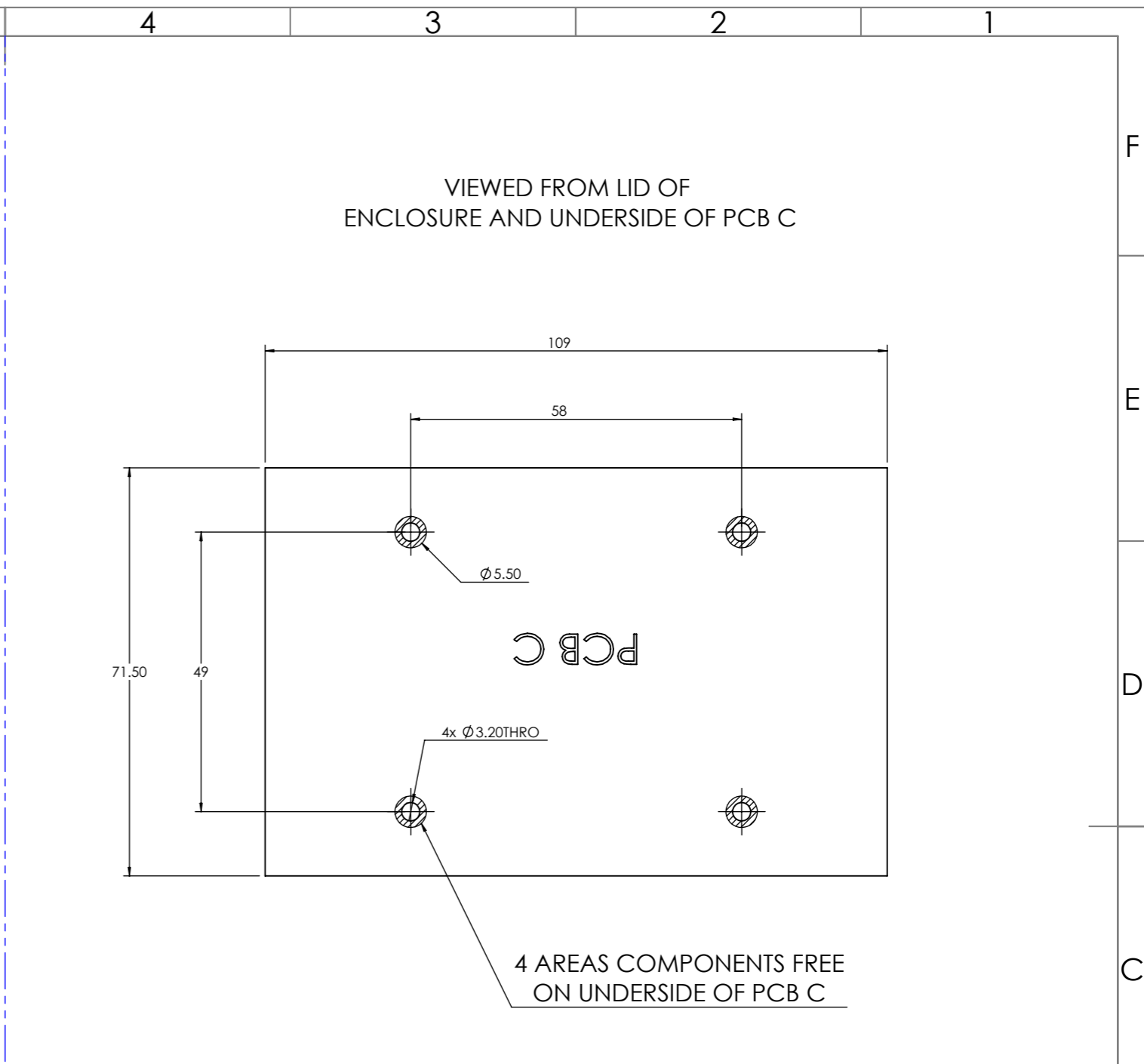
- ii. ALONG ONE LONG EDGE OF PCB

					 <b>CAMDENBOSS</b> <small>CONNECT. ENCLOSE. INNOVATE.</small>	COLOUR: SEE TABLE	DEBURR AND BREAK SHARP EDGES	DO NOT SCALE DRAWING	SCALE: 1:A SHEET 2 OF 3	
						DRAWING UNITS: MILLIMETERS	FINISH: VDI 30 OUTSIDE SURFACE	TITLE: GNL ASSY DRG FOR SIZE 3 EASY ASSEMBLY ELECTRONICS ENCLOSURE		
REVISION	DATE	ECR	DESCRIPTION	NAME	CHK'D	TOLERANCES: +/-0.2	PROJECTION	MATERIAL: UL94-V0 ABS	DWG NO. CBEAC-03	A3



**PCB B**

CAPTIVATED BETWEEN BASE AND LID (NO SCREWS)  
SITS ONTO FOUR SUPPORT SHELVES IN BASE  
RETAINED BY FOUR COMPRESSION FEATURES IN LID (TWO ON BOTH SHORT SIDES OF LID / PCB)  
CONNECTORS MAY PROTRUDE THROUGH SIDE WALL OF BASE ALONG SHORT EDGE OF PCB, ON OPPOSITE END TO HOLE IN BASE



**PCB C**

SCREWS TO LID OF ENCLOSURE

					<p><b>CAMDENBOSS</b> CONNECT. ENCLOSE. INNOVATE.</p>	COLOUR: SEE TABLE	DEBURR AND BREAK SHARP EDGES	DO NOT SCALE DRAWING	SCALE: 1:A SHEET 3 OF 3	
						DRAWING UNITS: MILLIMETERS	FINISH: VDI 30 OUTSIDE SURFACE	TITLE: GNL ASSY DRG FOR SIZE 3 EASY ASSEMBLY ELECTRONICS ENCLOSURE		
REVISION	DATE	ECR	DESCRIPTION	NAME	CHK'D	TOLERANCES: +/-0.2	PROJECTION	MATERIAL: UL94-V0 ABS	DWG NO. CBEAC-03	A3