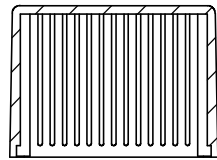


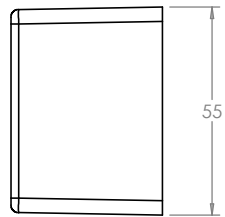
OVERALL ASSEMBLY DIMENSIONS:

EXTERNAL - 55 x 55 x 42

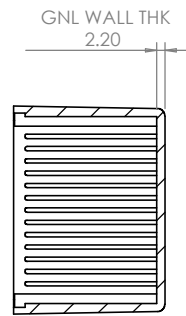
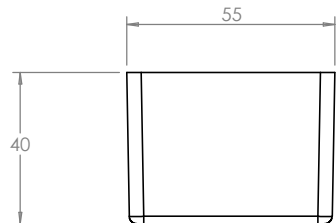
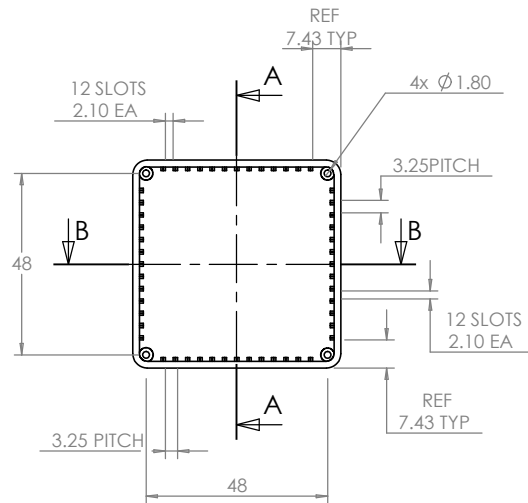
INTERNAL - 51 x 51 x 37



SECTION B-B



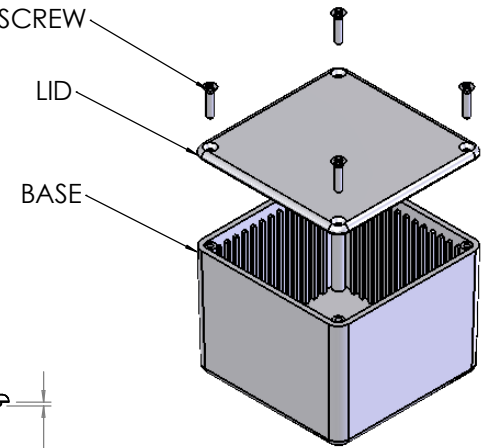
BASE



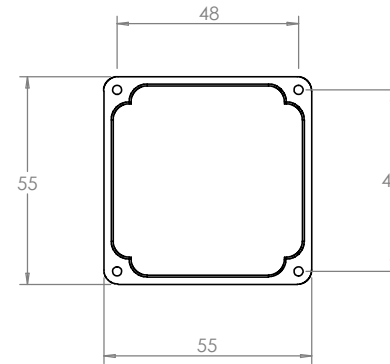
SECTION A-A





CSK SELF TAPPING SCREW



ISO VIEW



LID

 CAMDENBOSS JAMES CARTER RD, MILDENHALL, SUFFOLK. IP28 7DE TEL: 01638 716101 FAX: 01638 716554 EMAIL: Sales@CamdenBoss.com WEB: www.CamdenBoss.com				UNLESS OTHERWISE SPECIFIED: DIMENSIONS ARE IN MILLIMETERS		DO NOT SCALE DRAWING		REVISION. 0	
				FINISH. SMOOTH		TITLE: ASSEMBLY DRG FOR 2008,18			
DRAWN S.HARDINGE		SIGNED SJH	DATE 07/10/05	MATERIAL. ABS		DWG NO. 2008,18		A4	
CHK'D -		-	-	PROJECTION. 		SCALE. 1 : 2		SHEET 1 OF 1	