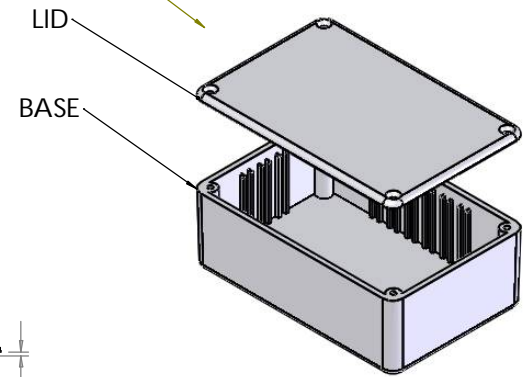


OVERALL ASSEMBLY DIMENSIONS:

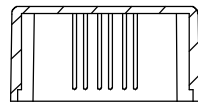
EXTERNAL - 75 x 50 x 27

INTERNAL - 71.4 x 46.4 x 22.4

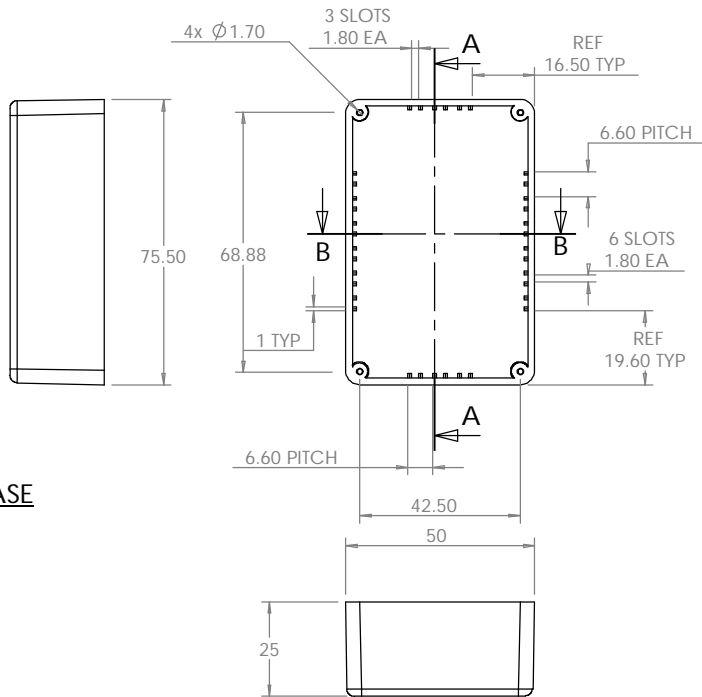
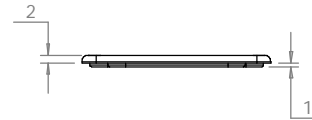
CSK SELF TAPPING SCREW



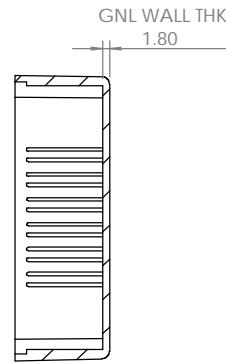
ISO VIEW



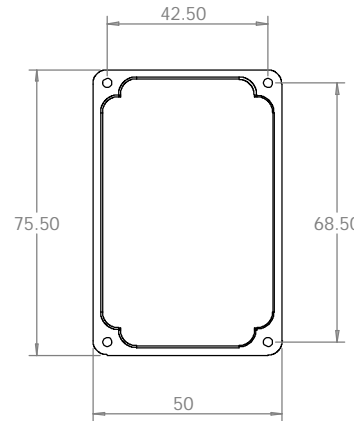
SECTION B-B



BASE



SECTION A-A



LID



CAMDENBOSS
CONNECT. ENCLOSE. INNOVATE.

JAMES CARTER RD, MILDENHALL, SUFFOLK, IP28 7DE
TEL: 01638 716101 FAX: 01638 716554
EMAIL: Sales@CamdenBoss.com
WEB: www.CamdenBoss.com

UNLESS OTHERWISE SPECIFIED:
DIMENSIONS ARE IN MILLIMETERS

FINISH:
CLEAN & BURR FREE

COLOUR:
-

MATERIAL:
ABS

PROJECTION:

GENERAL TOLERANCES +/- 0.2

REVISION: A

TITLE: 2000 Assembly

DWG NO. 2000,10

A4

SCALE: -

SHEET 1 OF 1

DO NOT SCALE DRAWING

REV	CHANGE NOTE	DATE	BY	ECR
A	Holes centres corrected	04/11/19	ML	ECR 000-715
1				