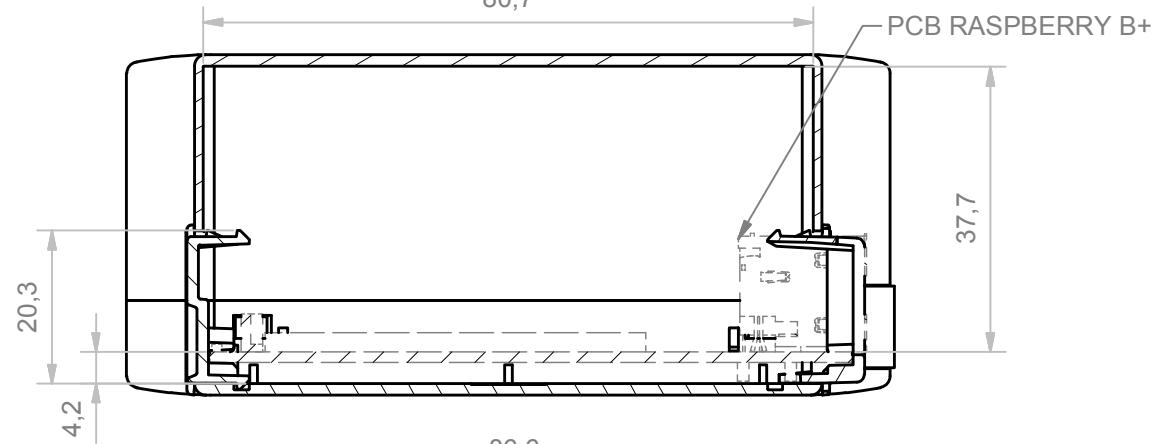
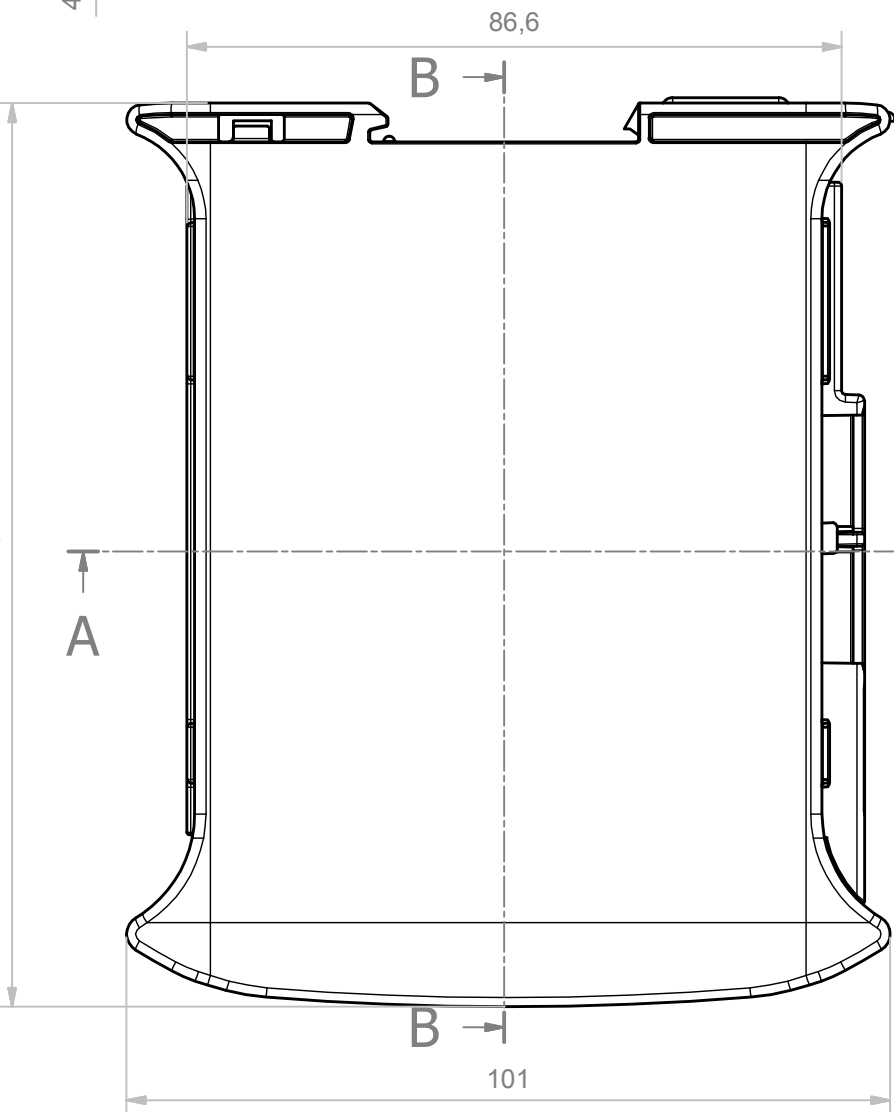


A-A (1:1)

80,7



PCB RASPBERRY B+

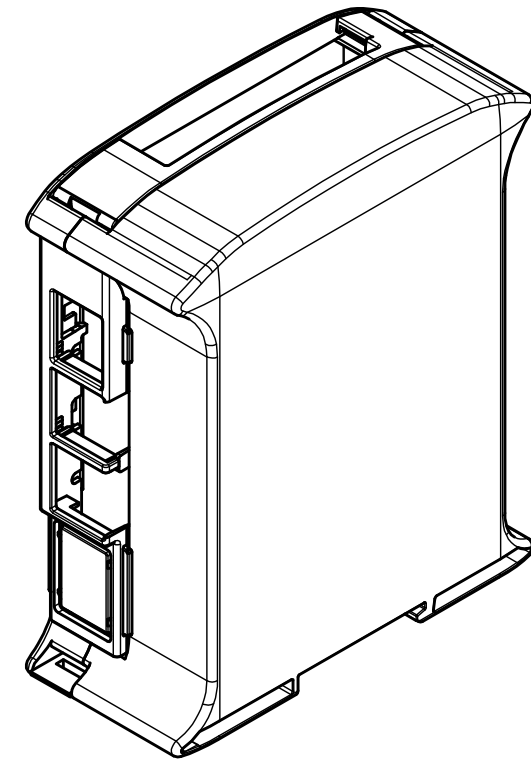
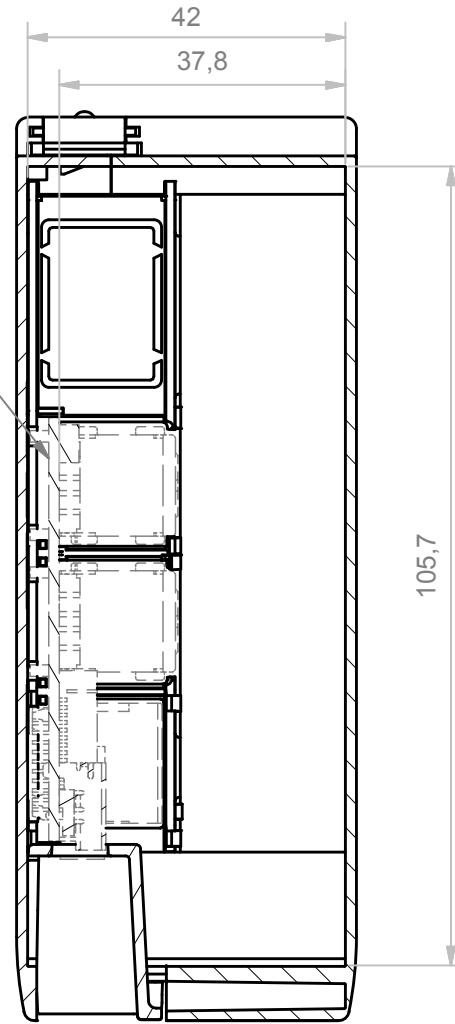


B-B (1:1)

42

37,8

PCB RASPBERRY B+



RIF.	Q.TY	DESCRIPTION	CODE
1	1	SPRING FOR HOOK RAILBOX	P1000000M
2	1	RED HOOK RAILBOX	R-00249
3	1	BASE RAILBOX 12.5 MM 3L	R-03429
4	1	KIT ACCESSORIES FOR RASPBERRY B + RAILBOX	R-05914
5	1	COVER PANEL STANDARD 3L RAILBOX 32.5 MM	R-03495

RESERVED PROPERTY: The present drawing cannot be reproduced or communicated to 3d parties, even partially, without the authorization of ITALTRONIC Srl. Italtronic reserves to protect its own rights according to the law.

GENERAL TOLERANCE	<b>UNI EN 22768/1 Media (m)</b>	Drawn:	Checked:	Revision description
SHEET NR.	1 / 1	DRAWING BY	Rigato N.	Dalla Montà D.
	Dimension in mm	Manual modification are not allowed	Date:	Replace nr.
			18/03/2015	Part number:
Denomination:		KIT 45 RAILBOX RASPBERRY PI B+		
		Drawing nr. <b>R-05916-00</b>		
italtronic s.r.l. via Austria 25/D - 35127 Padova - Italy www.italtronic.com				