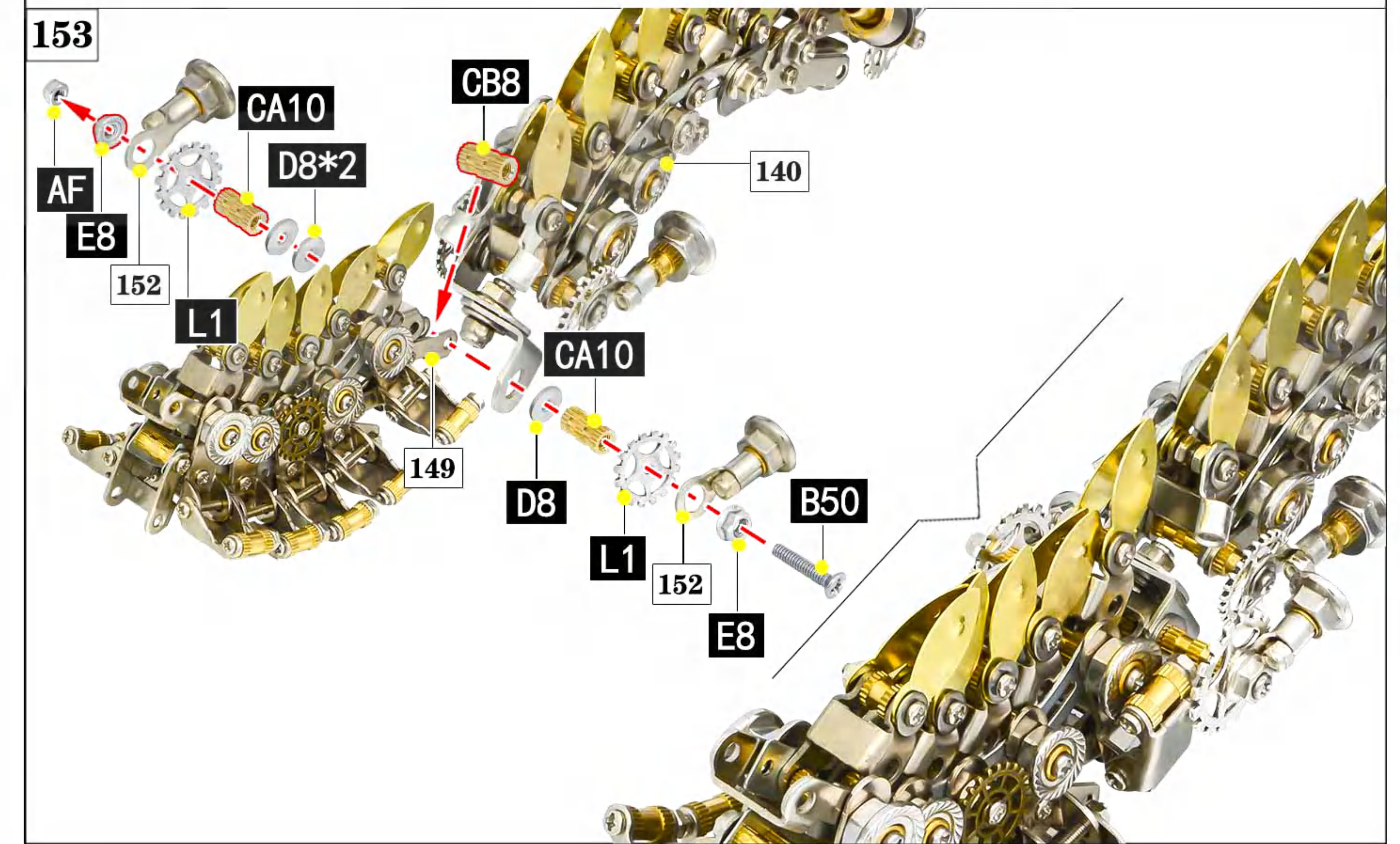
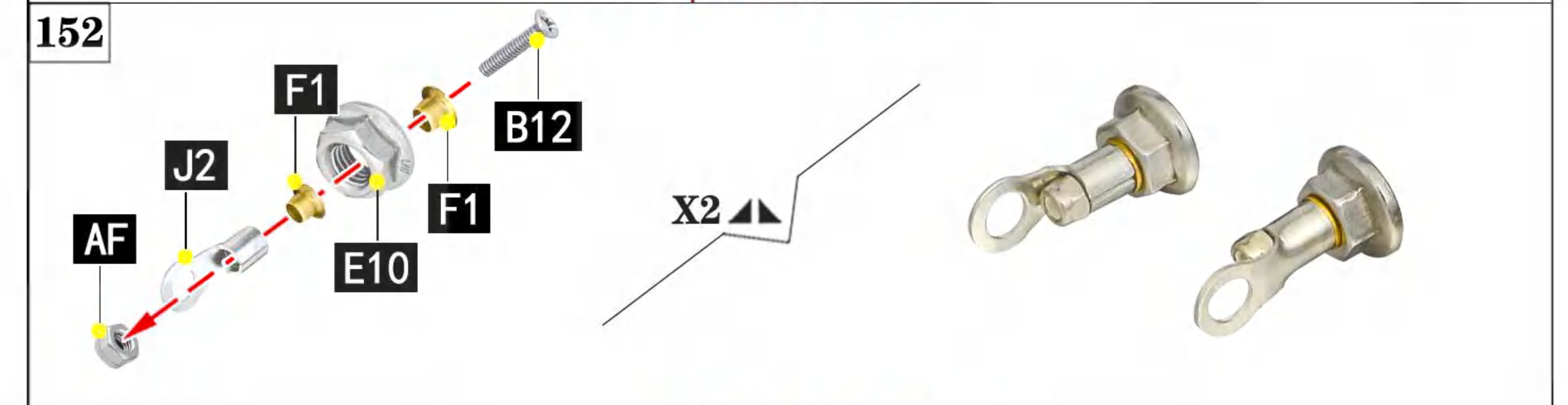
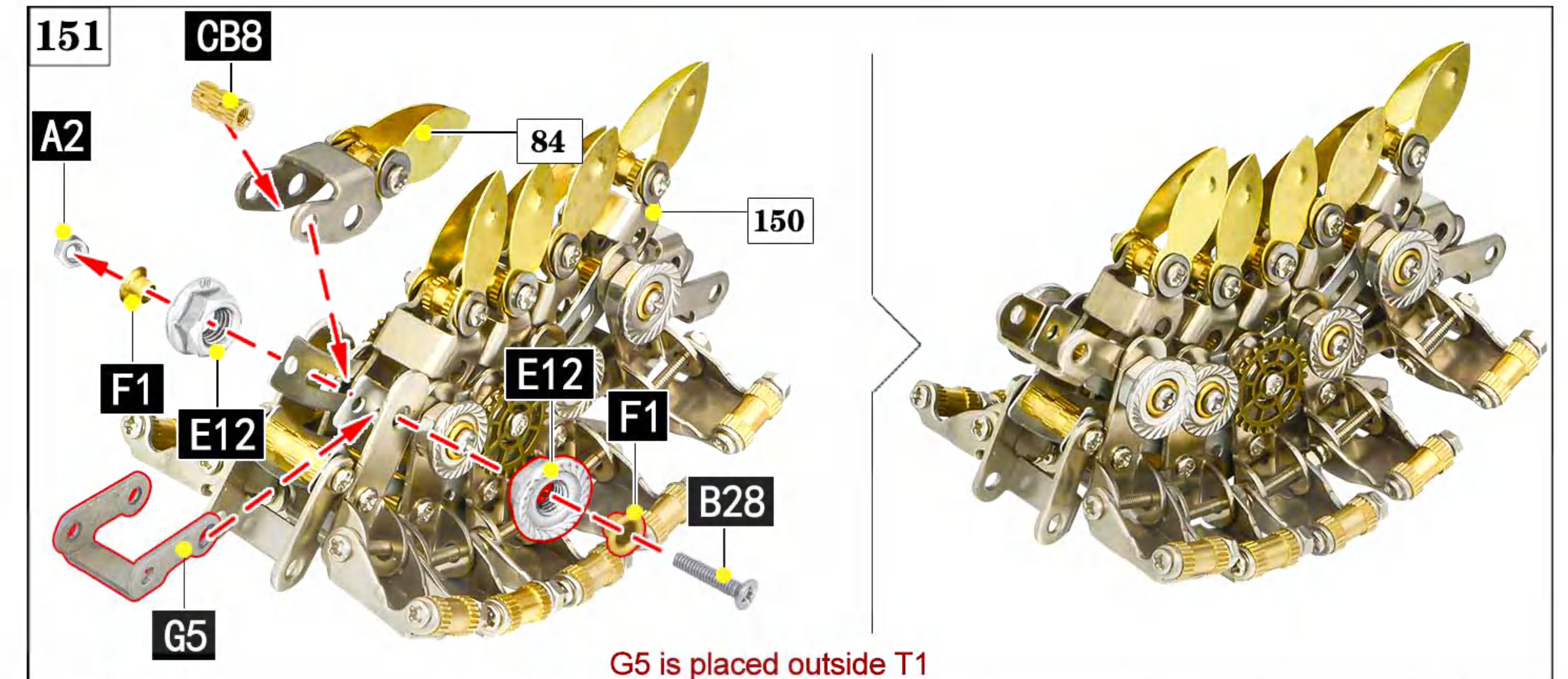
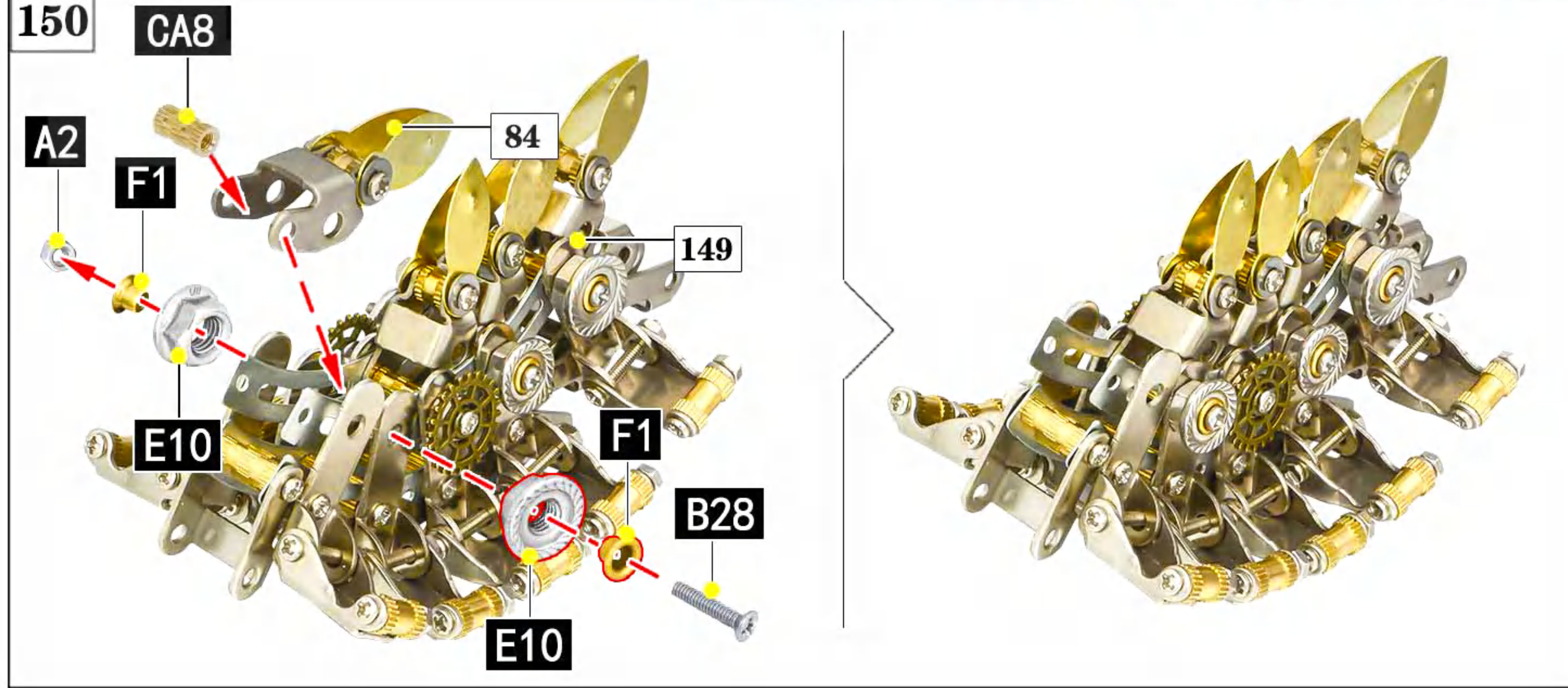
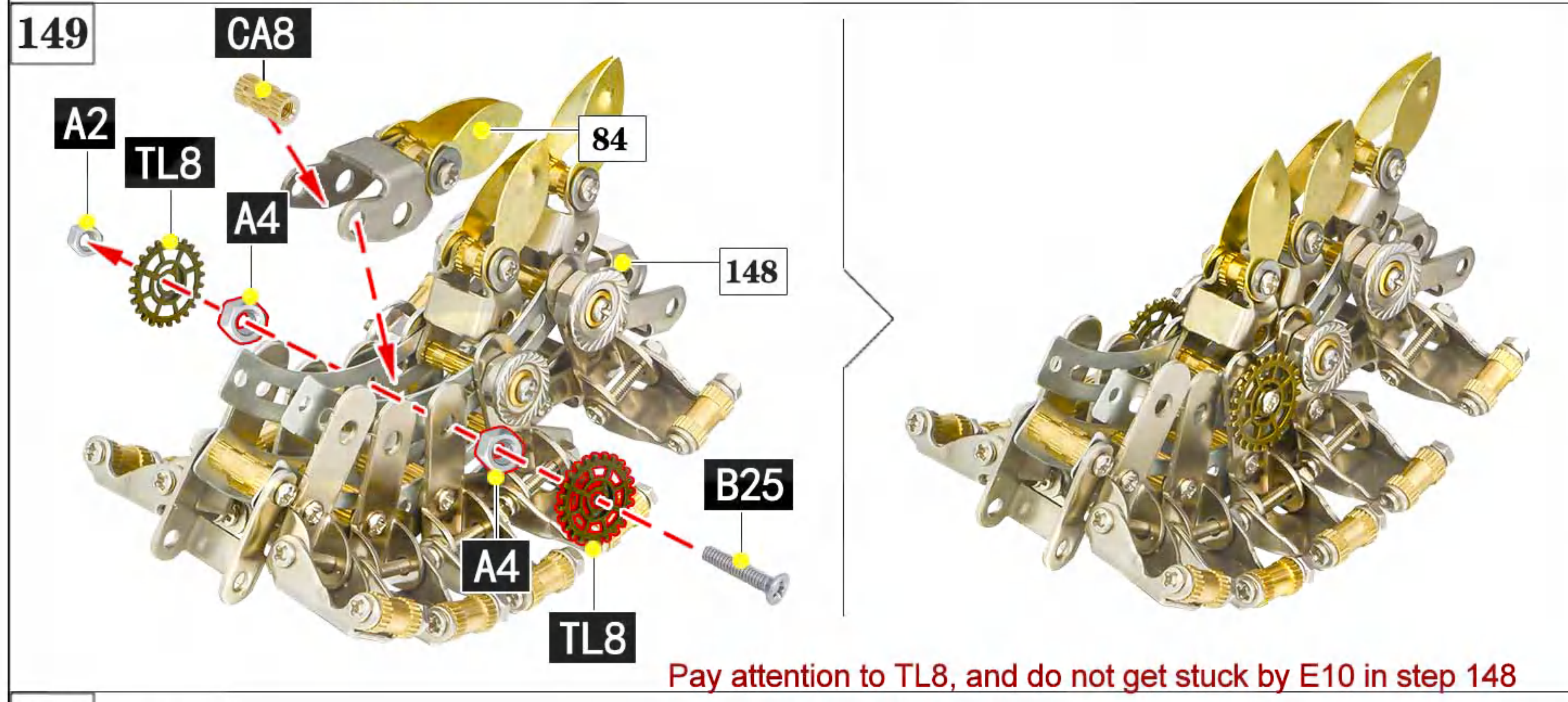
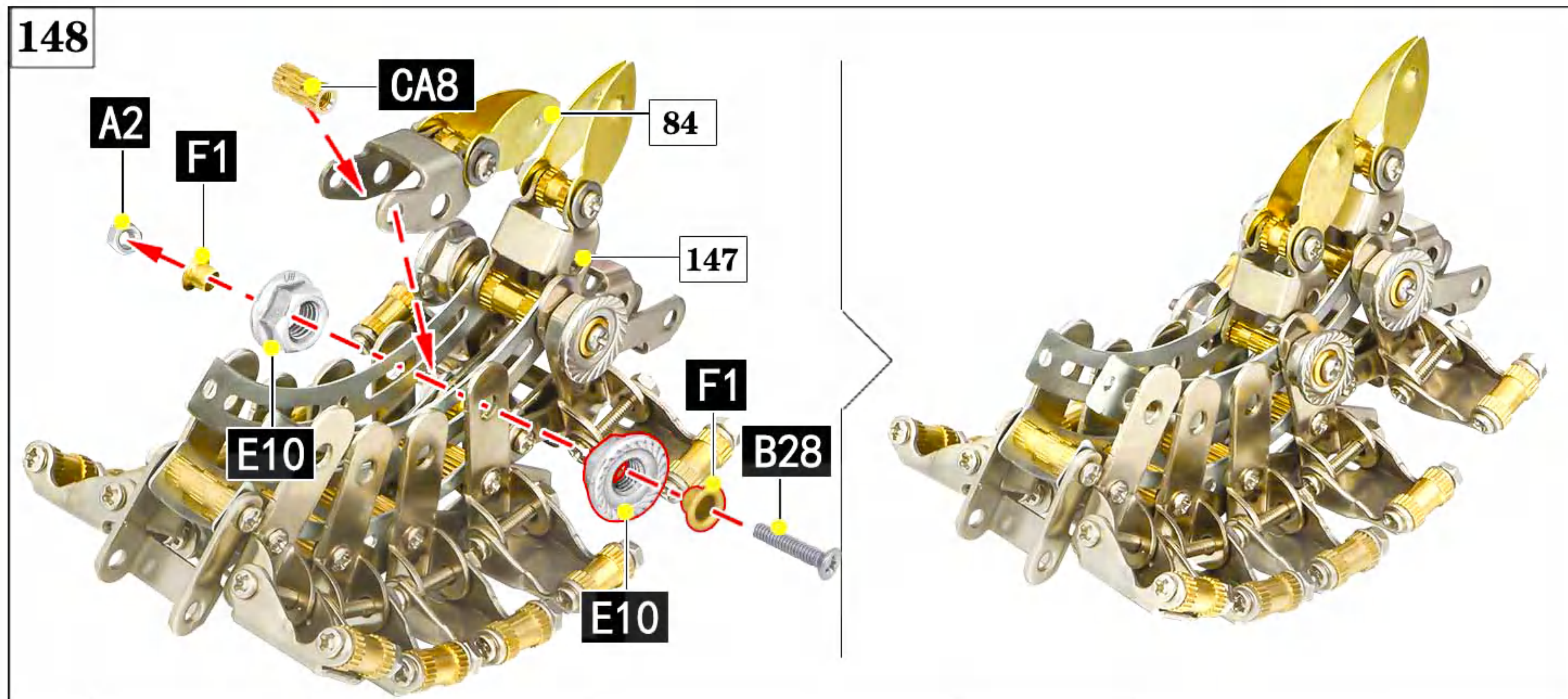
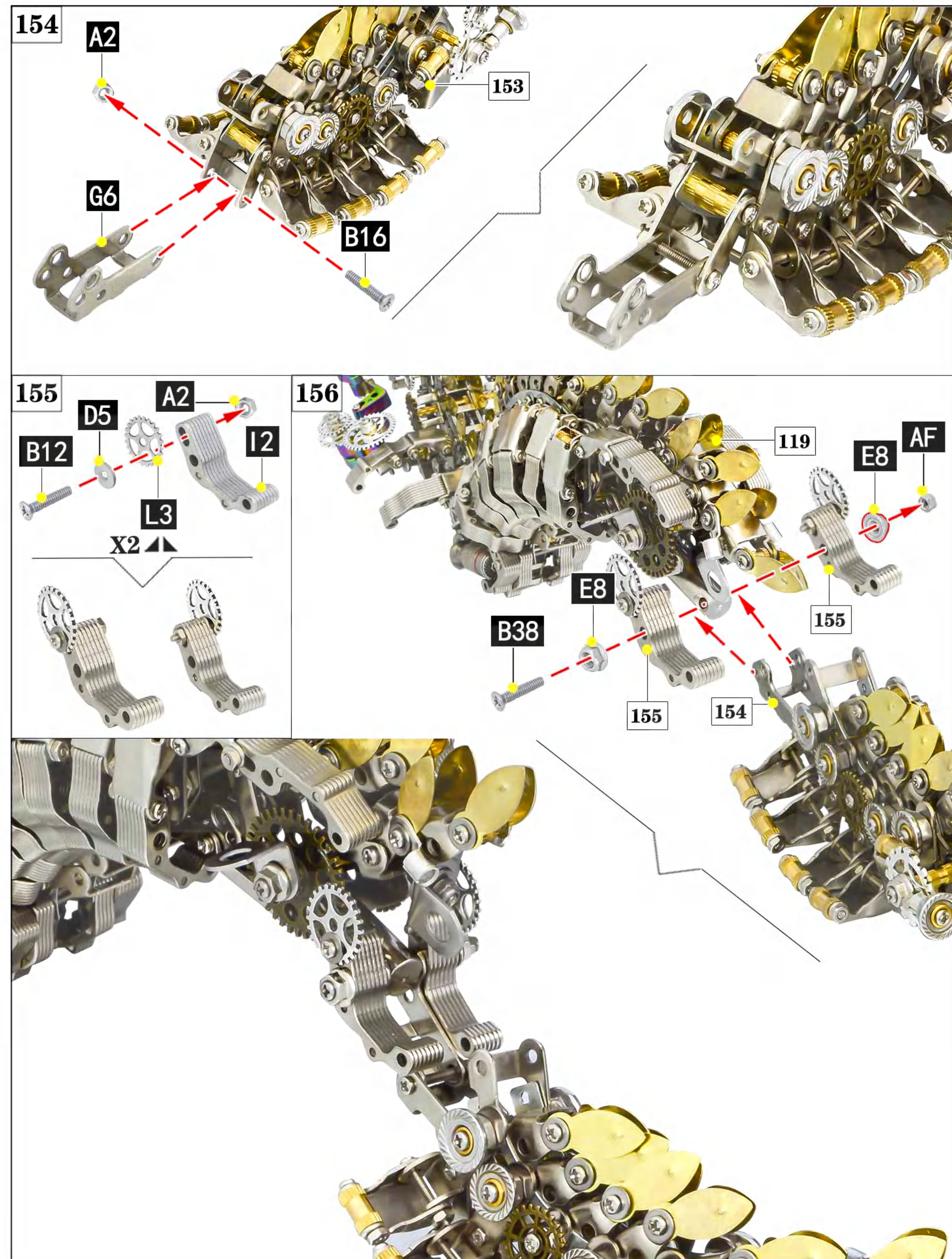


Assembly skills, screws are preferred. (X2 ▲▲) Means: assemble 2 and horizontally symmetrical.

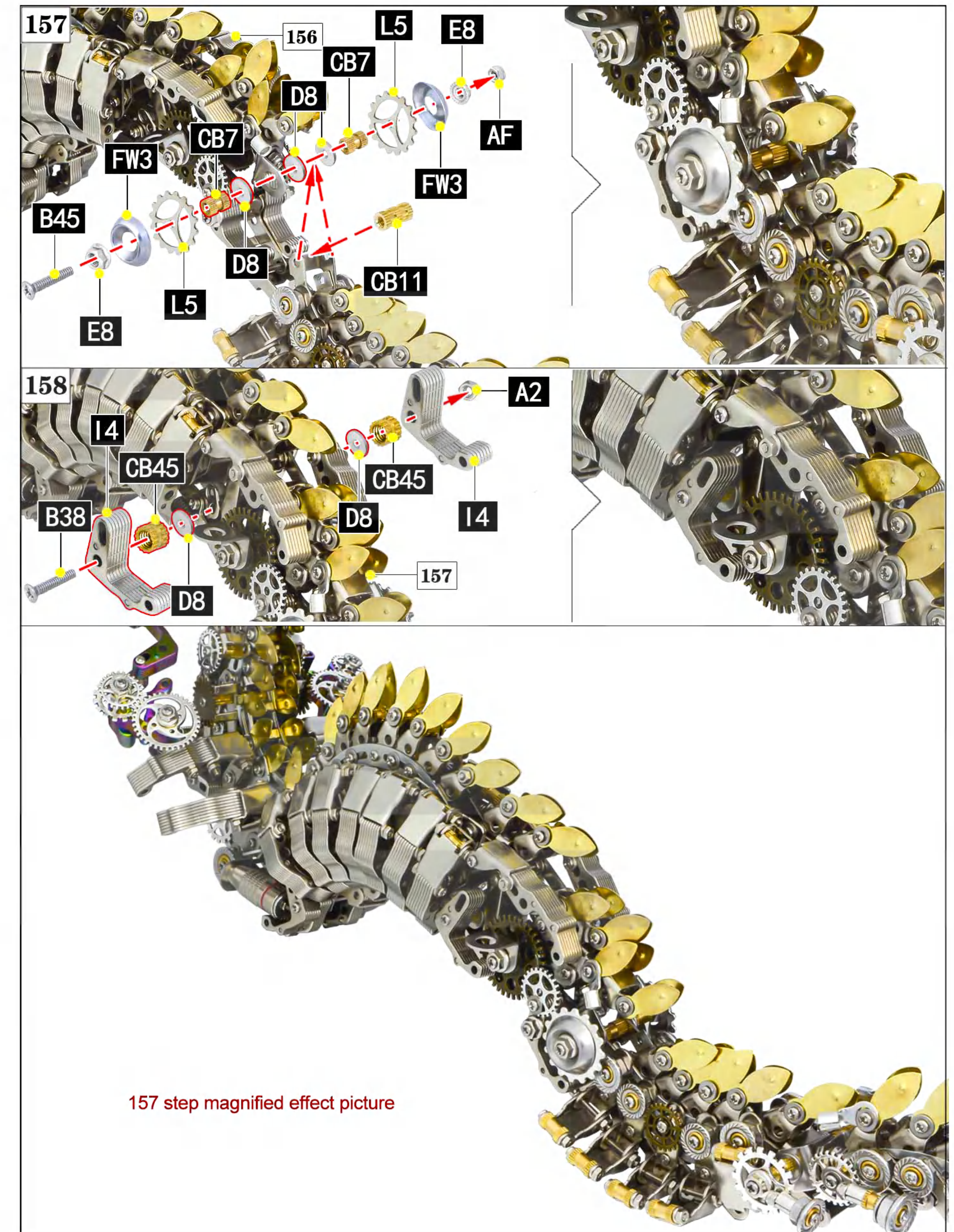
(X2 ▲▲) Means: assemble 2 and the direction is the same.



Assembly skills, screws are preferred. (X2 ▲▲)Means: assemble 2 and horizontally symmetrical.

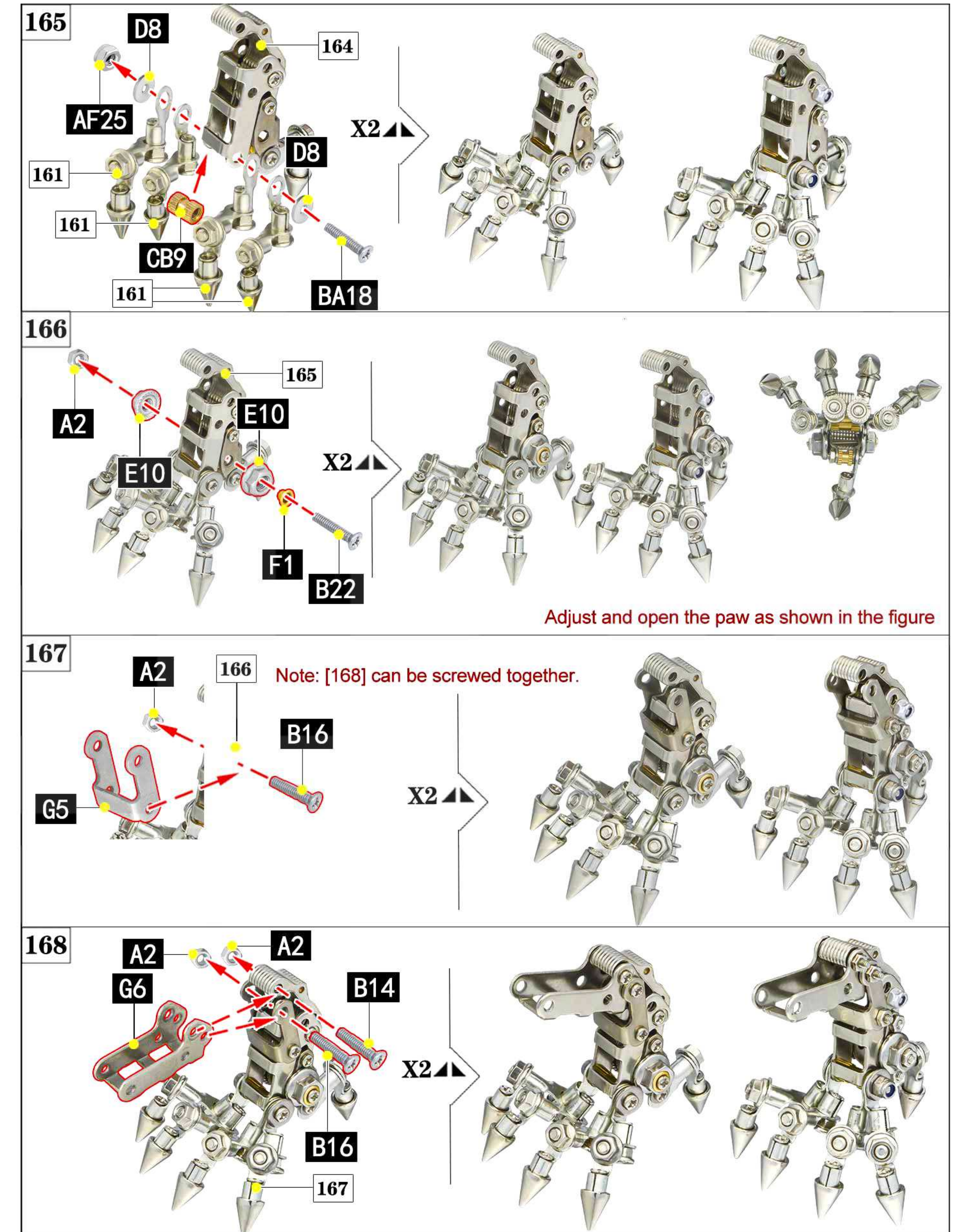
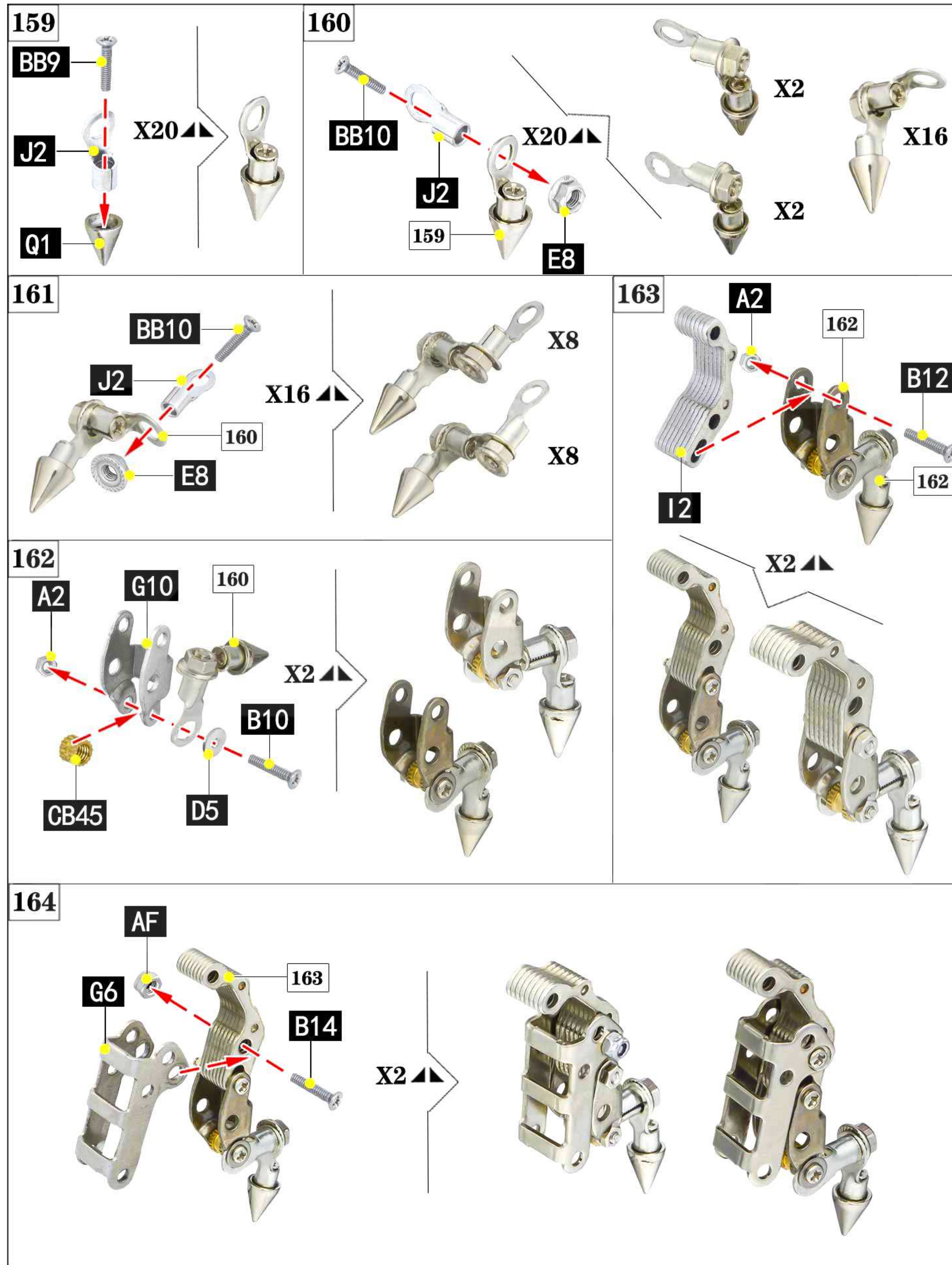


(X2 ▲▲)Means: assemble 2 and the direction is the same.



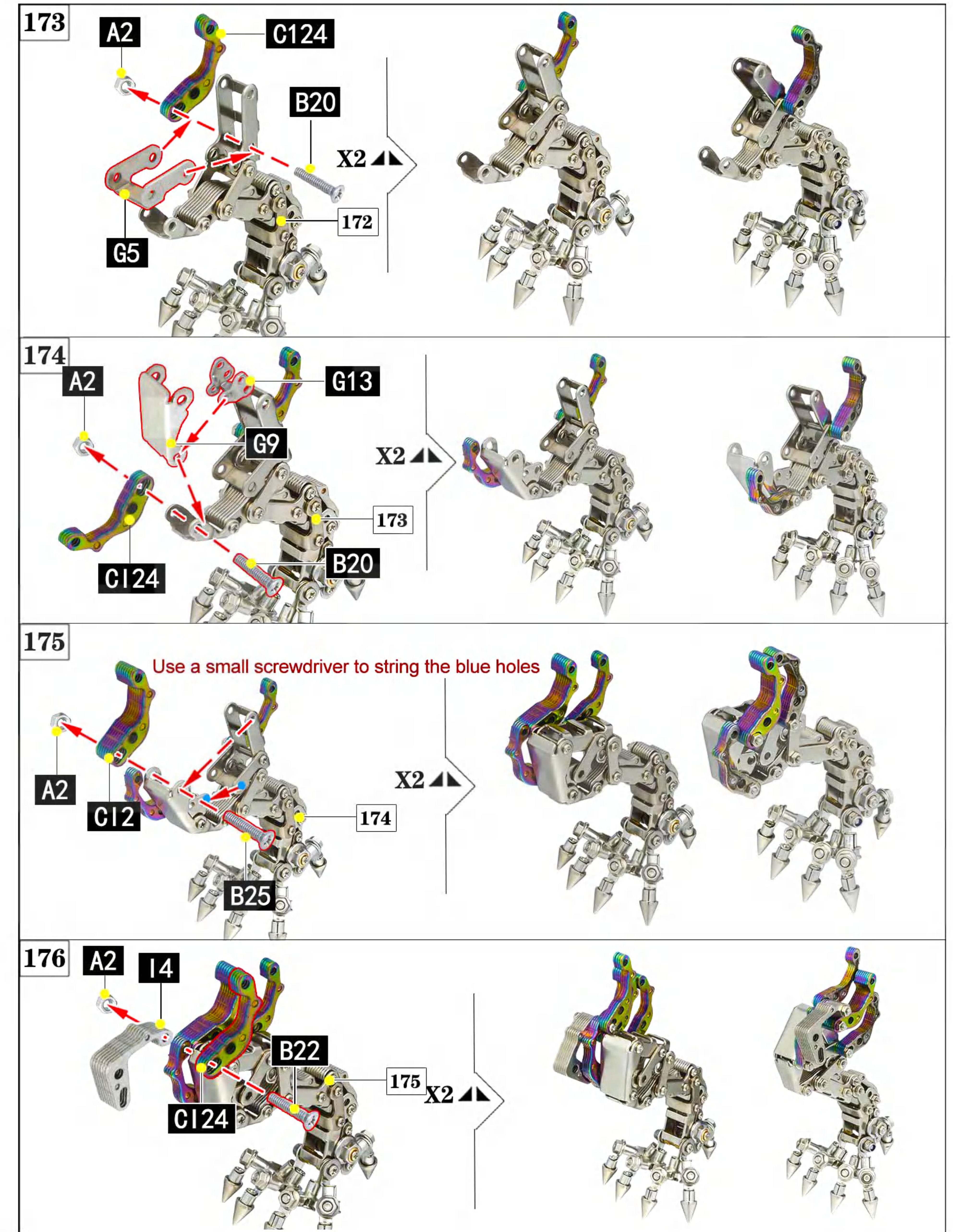
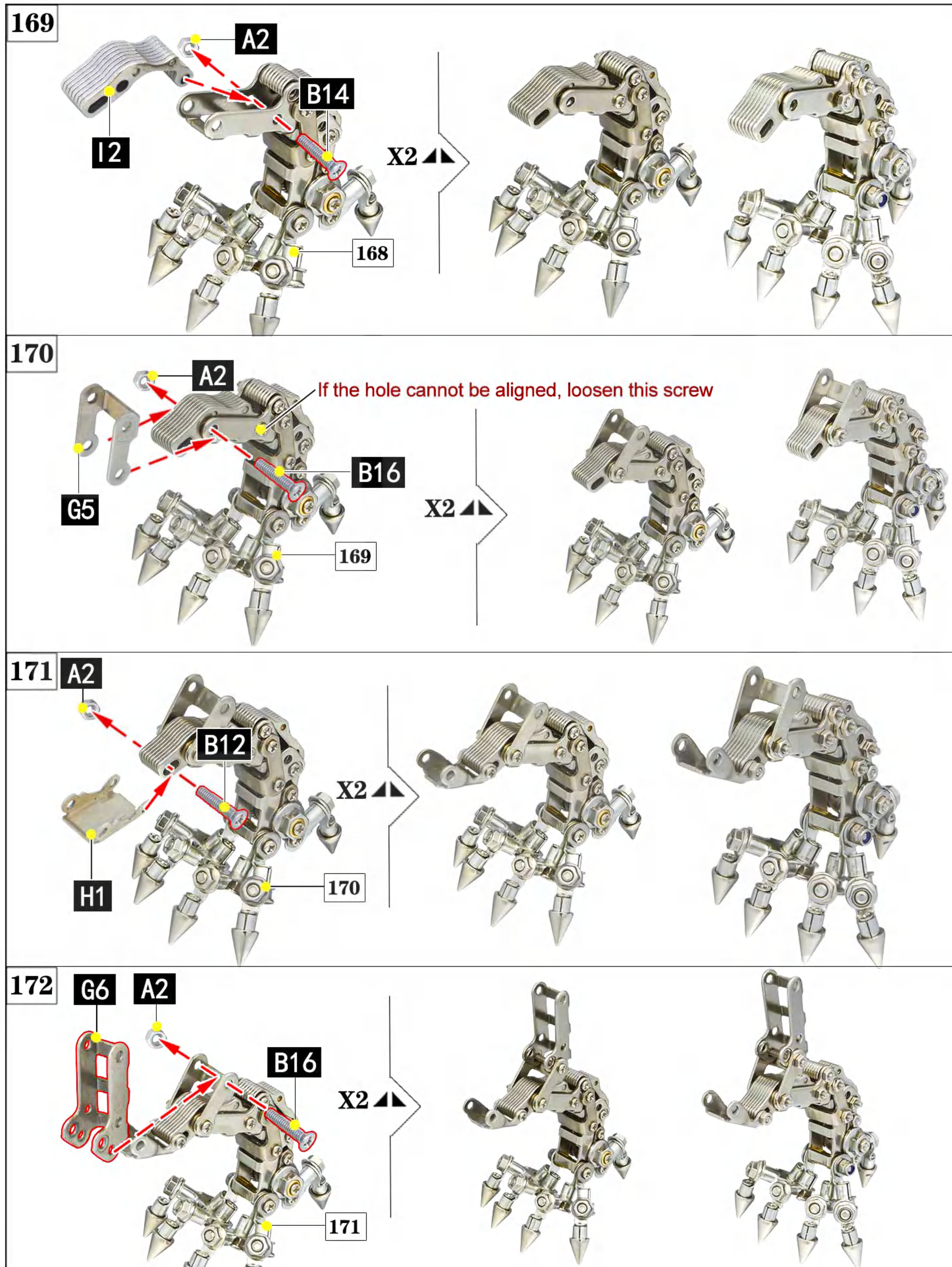
Assembly skills, screws are preferred. (X2 ▲▲) Means: assemble 2 and horizontally symmetrical.

(X2 ▲▲) Means: assemble 2 and the direction is the same.



Assembly skills, screws are preferred. (X2 ▲▲) Means: assemble 2 and horizontally symmetrical.

(X2 ▲▲) Means: assemble 2 and the direction is the same.



Assembly skills, screws are preferred. (X2 ▲▲)Means: assemble 2 and horizontally symmetrical.

(X2 ▲▲)Means: assemble 2 and the direction is the same.

<p>177 D8, D8, AF, H2短short, A3, L1, FW2, E8, B25, 176</p>		
<p>178 CB8, B14, D5, 160, A2, H1</p>	<p>180 CB7, AF, D5, G10, D5, B18, 161, 178</p>	<p>181 AF25, E10, A3, 127, E10, BA28, 161, 180</p>
<p>179 B28, J2, DG7, AF, F1, F1</p>		
<p>The claws open on both sides as shown in the picture</p>		<p>Adjust and open the paw as shown in the figure</p>

<p>182 G6, A2, G13, B14, 181</p> <p>Do not tighten</p>	<p>183 A2, E8, A25, 182, 179, E8, B22</p>	<p>184 D8, DTL6, I4, A25, B18, A2, G5, 183</p>
<p>185 A2, B16, G13, 184</p> <p>Align the blue holes in a straight line</p> <p>If there is no position, loosen the last screw</p>	<p>186 A2, G5, B16, 185</p>	<p>187 A2, H1, B12, 186</p> <p>There will be some looseness</p>

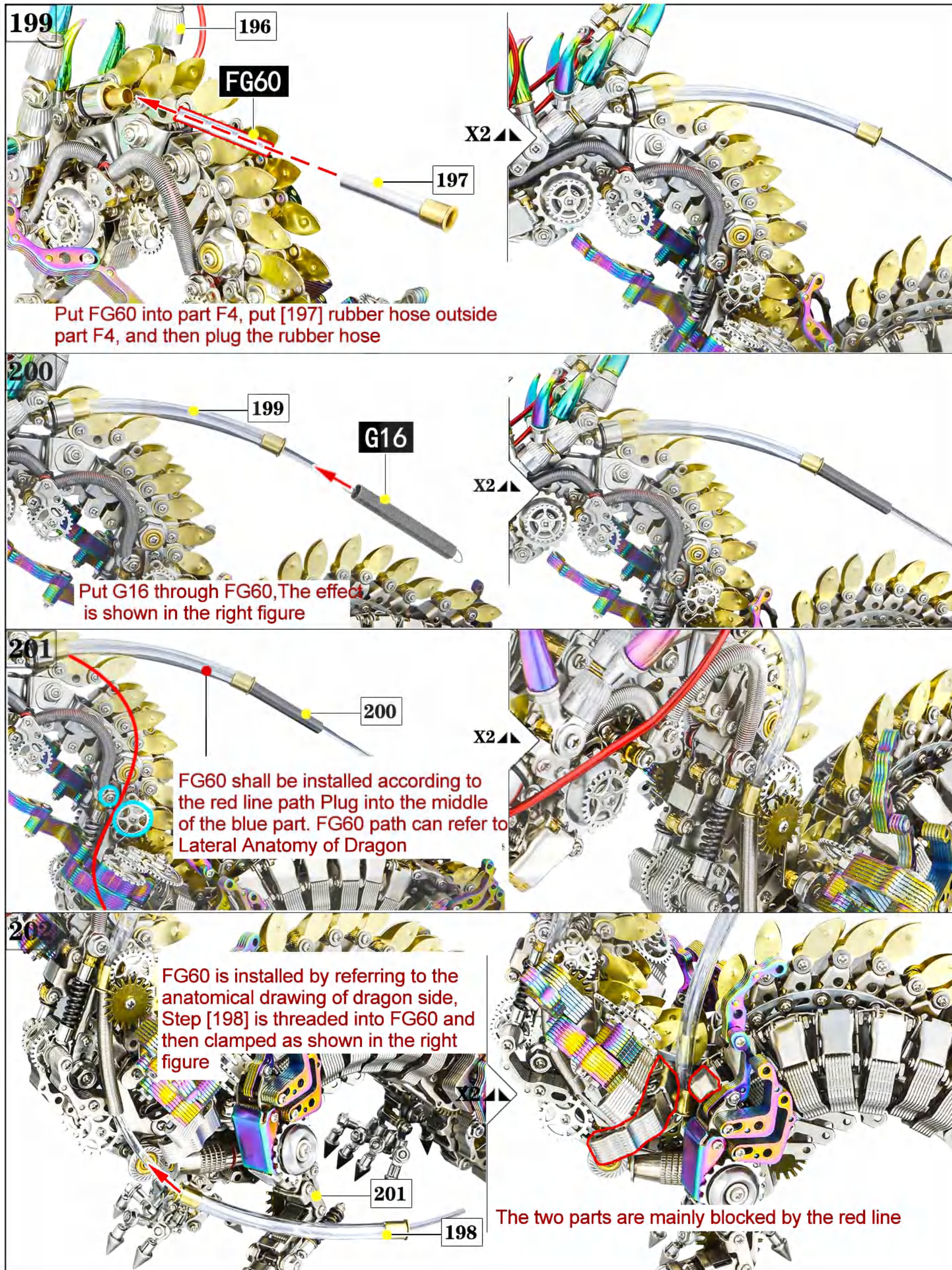
Assembly skills, screws are preferred. (X2 \blacktriangleleft) Means: assemble 2 and horizontally symmetrical.

(X2 \blacktriangleleft) Means: assemble 2 and the direction is the same.

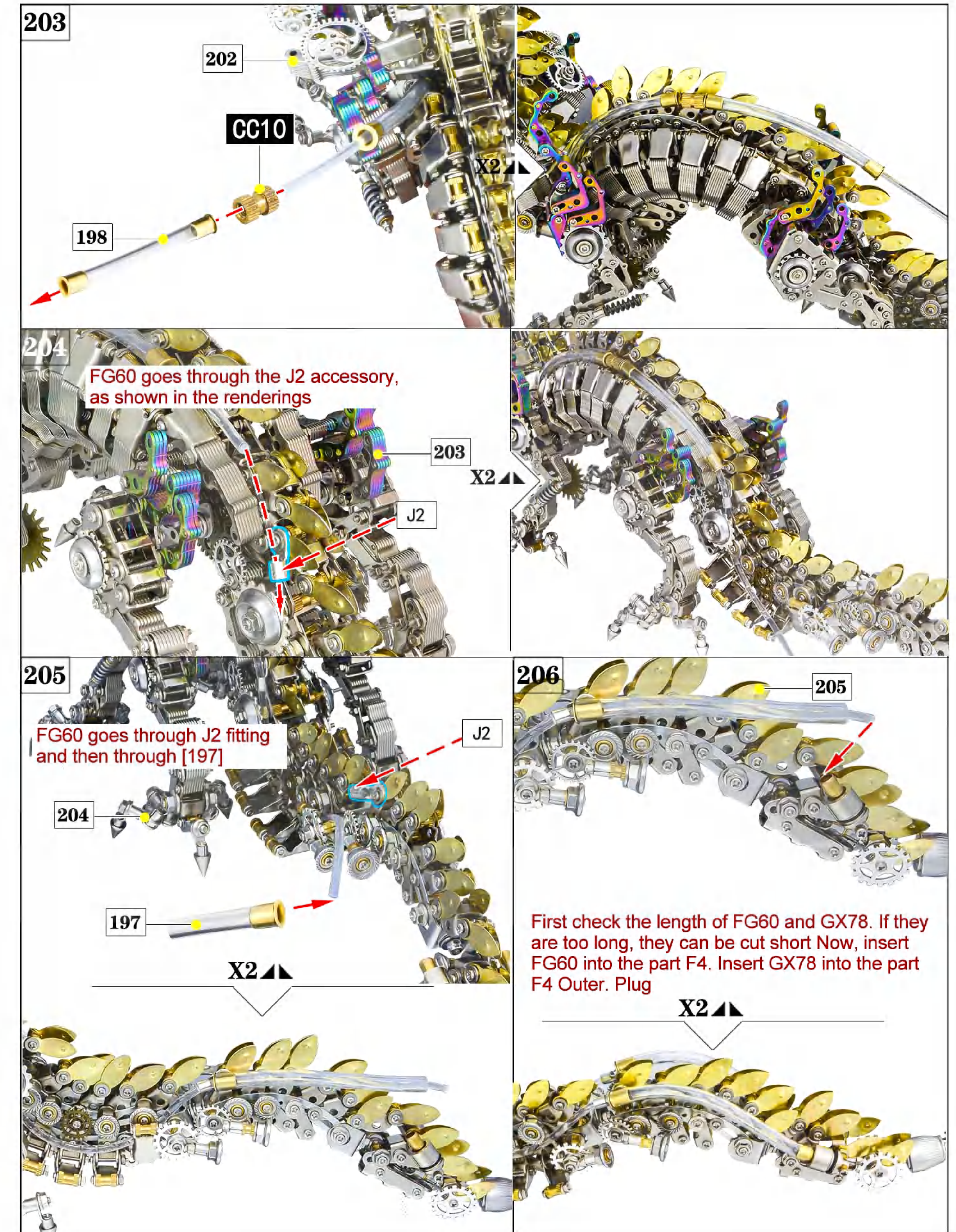
<p>188</p> <p>G10 A2 CG9 B16 187</p> <p>X2 \blacktriangleleft</p>	<p>189</p> <p>A2 I2 B16 188</p> <p>Use a small screwdriver to string the blue holes</p> <p>X2 \blacktriangleleft</p>	<p>190</p> <p>G10 A2 B16 189</p> <p>X2 \blacktriangleleft</p>
<p>191</p> <p>AF25 H2short D8 CB7 L5 FW3 BA25 A3 FW2 E8 190</p> <p>L5 needs to be screwed with a large screwdriver</p> <p>X2 \blacktriangleleft</p>	<p>192</p> <p>A2 C14 B16 191</p> <p>X2 \blacktriangleleft</p>	<p>193</p> <p>A2 C124 B10 C124</p> <p>X2 \blacktriangleleft</p>

<p>194</p> <p>A2 A2 B10 C14 B20 192</p> <p>Wear B10 first</p> <p>X2 \blacktriangleleft</p>	
<p>195</p> <p>BA10 E8 D8 AF25 194</p> <p>X2 \blacktriangleleft</p>	<p>196</p> <p>BA10 E8 D8 AF25 177</p> <p>X2 \blacktriangleleft</p>
<p>197</p> <p>GX78 F4</p> <p>X4 \blacktriangleleft</p>	<p>198</p> <p>GX78 F4</p> <p>X4 \blacktriangleleft</p> <p>[197] [198] There are 4 respectively.</p>

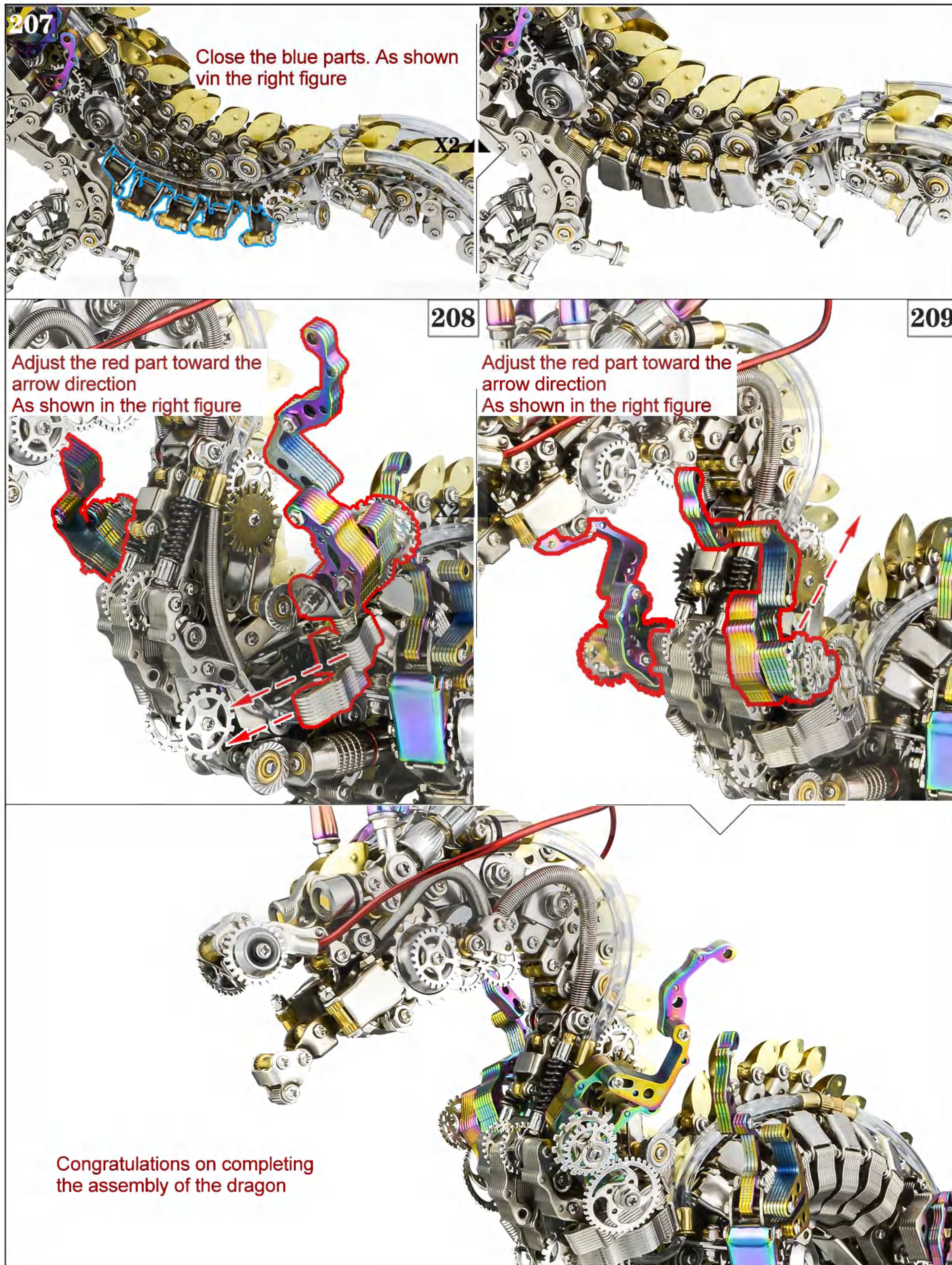
Assembly skills, screws are preferred. (X2 ▲▲) Means: assemble 2 and horizontally symmetrical.



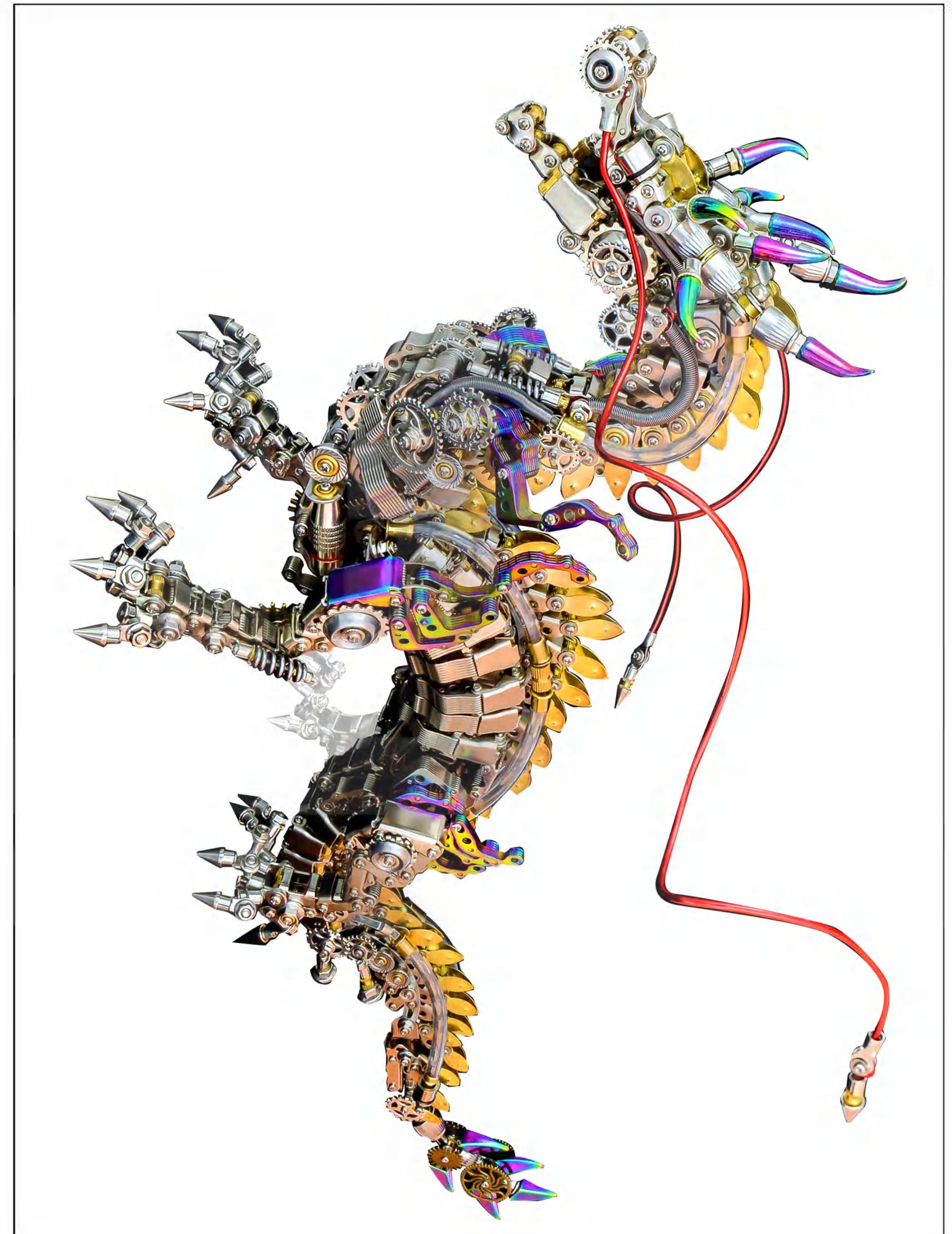
(X2 ▲▲) Means: assemble 2 and the direction is the same.



Assembly skills, screws are preferred. (X2 ▲▲) Means: assemble 2 and horizontally symmetrical.



(X2 ▲▲) Means: assemble 2 and the direction is the same.



Lateral Anatomy of Dragon

