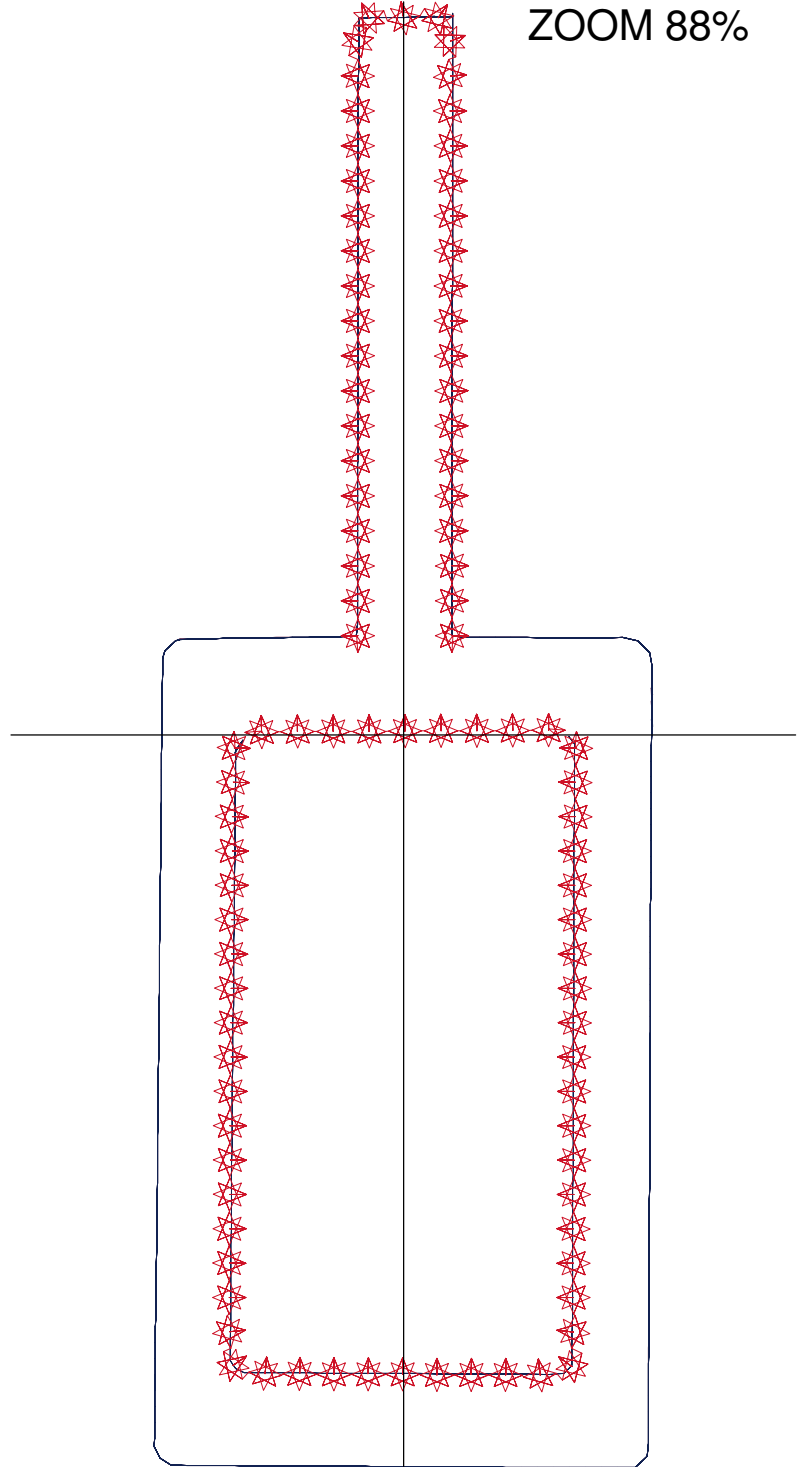


Design Name: atwnls1125-6x10	Customer Name:	Machine Set: Default	
Size=75.00 mm x 220.50 mm	Stitch No.=3607	ChangeColor No.=6	Trim No.=1

Design Note:

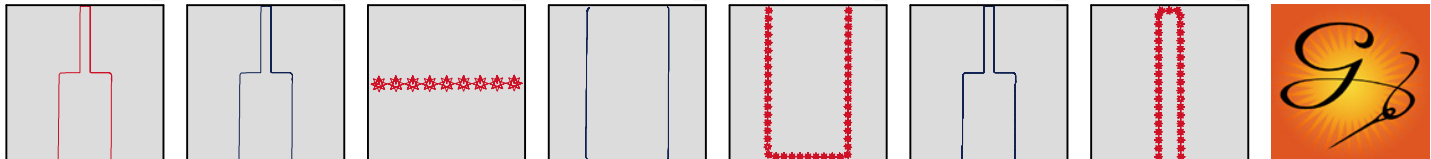
No.	Thread	Length(m)
1.	 Robison Anton Super Brite Poly.Scarlet Flame.9020	0.72
2.	 Robison Anton Super Brite Poly.PN Navy (24).5824	0.72
3.	 Robison Anton Super Brite Poly.Scarlet Flame.9020	0.60
4.	 Robison Anton Super Brite Poly.PN Navy (24).5824	0.49
5.	 Robison Anton Super Brite Poly.Scarlet Flame.9020	3.07
6.	 Robison Anton Super Brite Poly.PN Navy (24).5824	2.76
7.	 Robison Anton Super Brite Poly.Scarlet Flame.9020	2.56

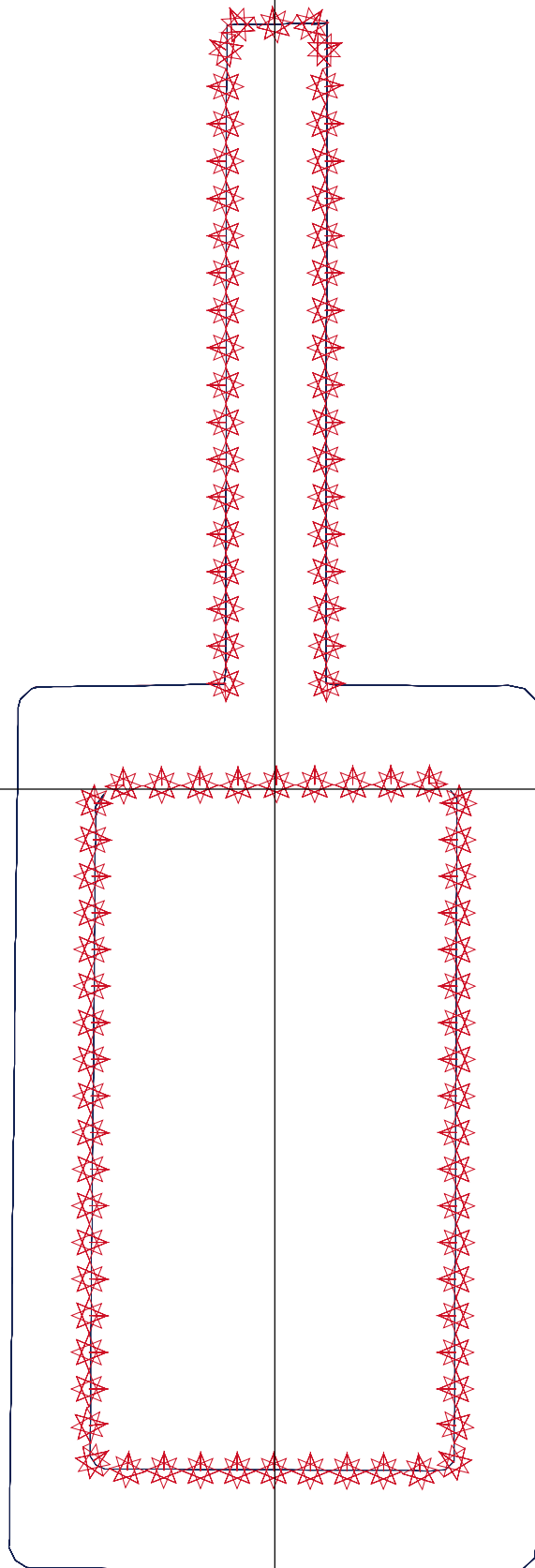
ZOOM 88%



Color Sequence:

Th.1(Scarlet Flame.9020) Th.2(PN Navy (24).5824) Th.3(Scarlet Flame.9020) Th.4(PN Navy (24).5824) Th.5(Scarlet Flame.9020) Th.6(PN Navy (24).5824) Th.7(Scarlet Flame.9020)



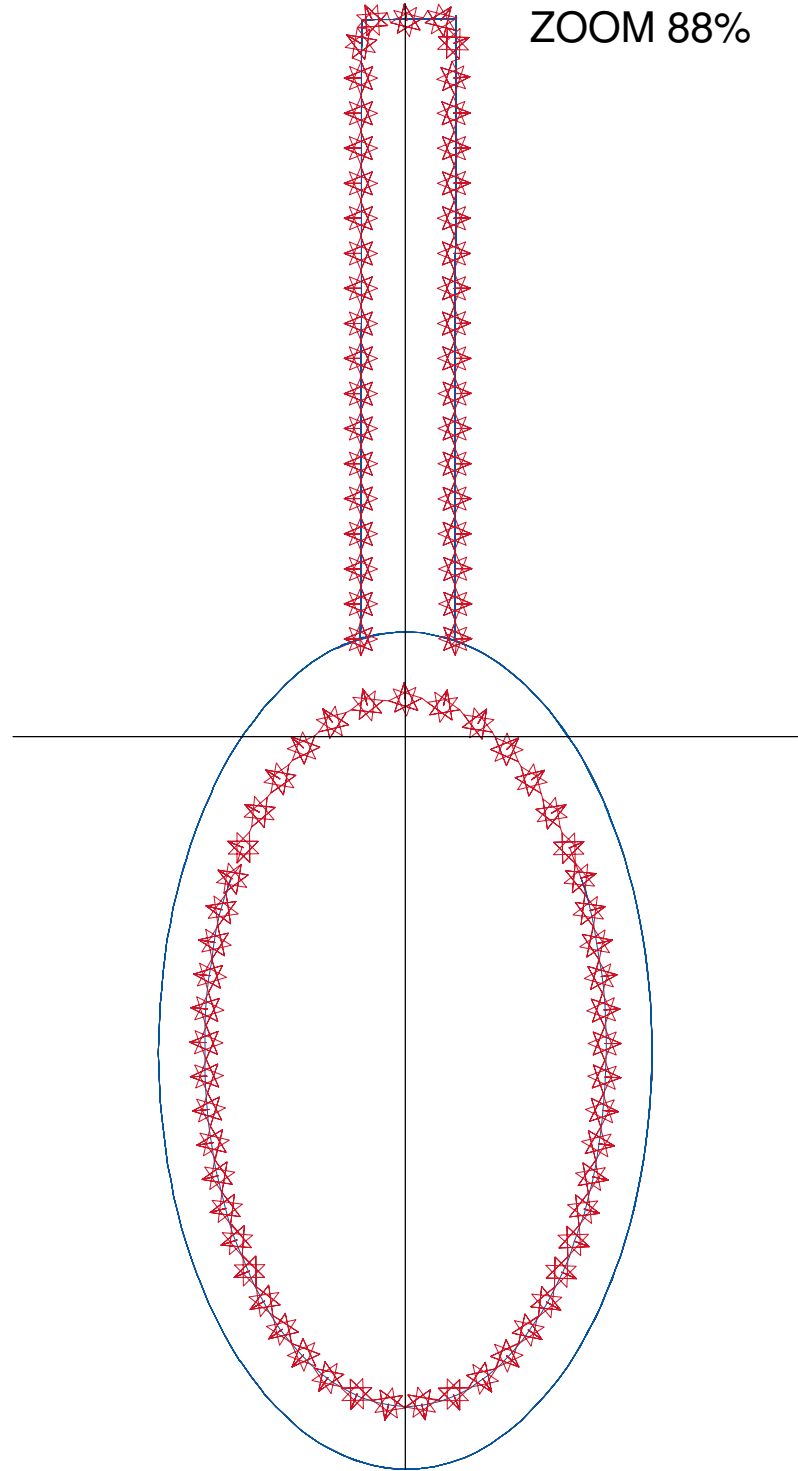


ATWNLS1126-6x10

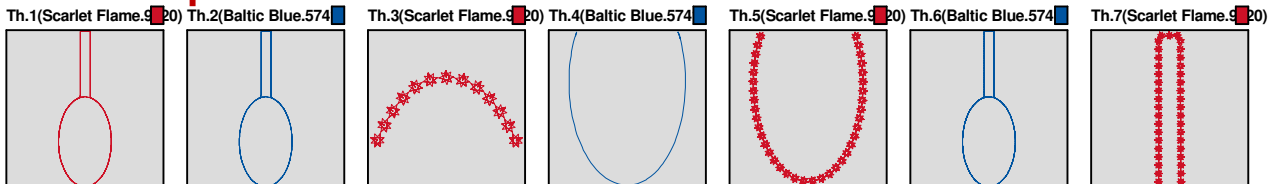
Design Name: atwnls1126-6x10	Customer Name:	Machine Set: Default	
Size=74.20 mm x 220.20 mm	Stitch No.=3863	ChangeColor No.=6	Trim No.=1

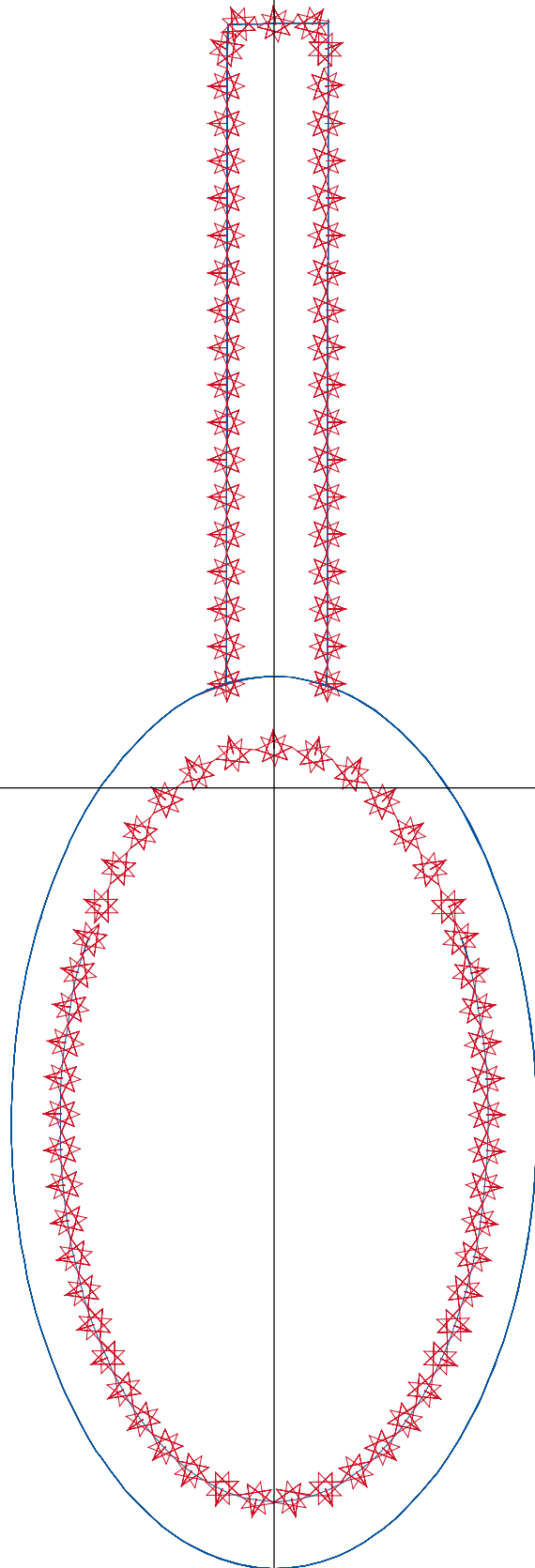
Design Note:

No.	Thread	Length(m)
1.	 Robison Anton Super Brite Poly.Scarlet Flame.9020	1.66
2.	 Robison Anton Super Brite Poly.Baltic Blue.5741	1.39
3.	 Robison Anton Super Brite Poly.Scarlet Flame.9020	0.86
4.	 Robison Anton Super Brite Poly.Baltic Blue.5741	0.20
5.	 Robison Anton Super Brite Poly.Scarlet Flame.9020	2.47
6.	 Robison Anton Super Brite Poly.Baltic Blue.5741	2.14
7.	 Robison Anton Super Brite Poly.Scarlet Flame.9020	2.56



Color Sequence:





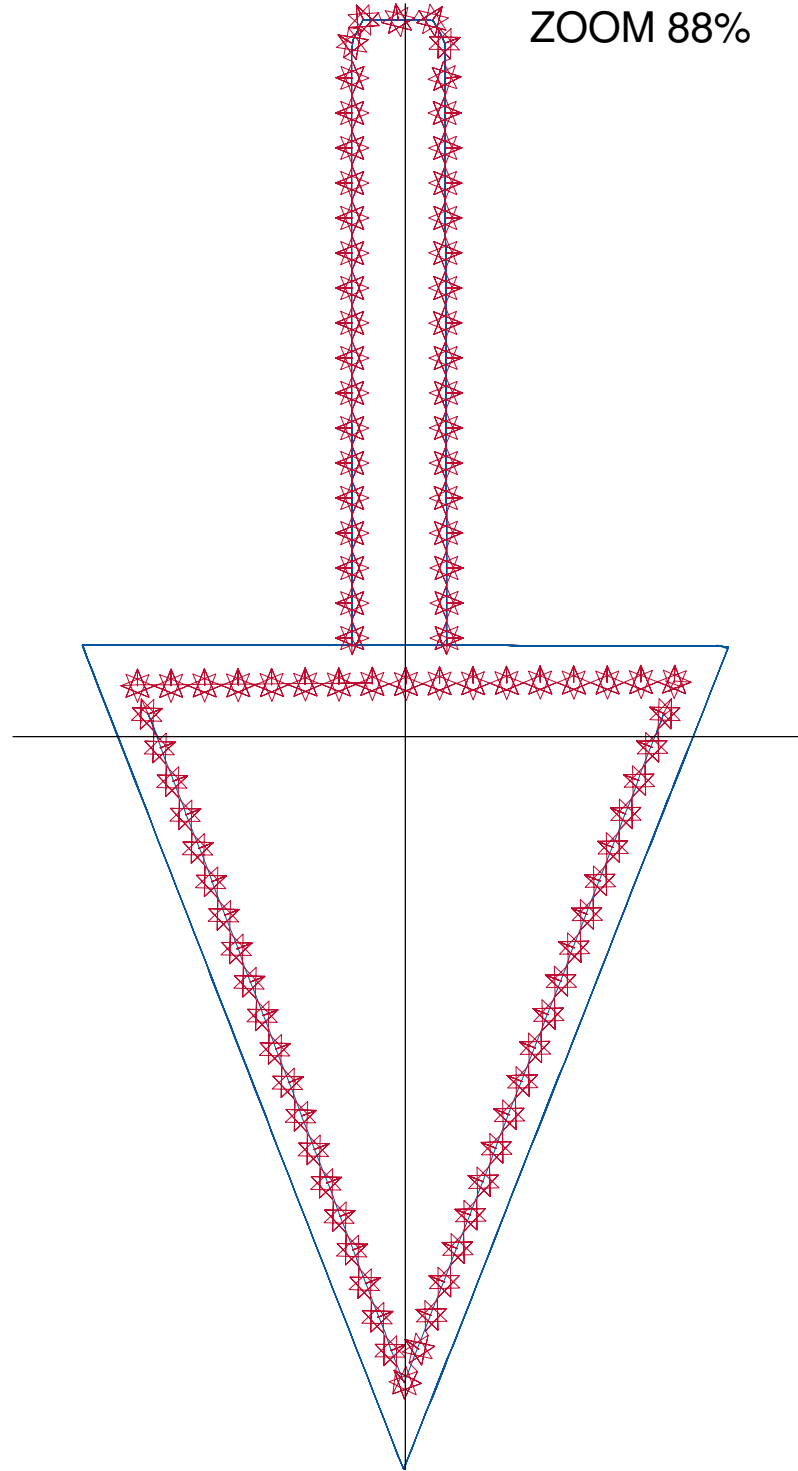
ATWNLS1127-6x10

Design Name: atwnls1127-6x10	Customer Name:	Machine Set: Default	
Size=97.20 mm x 220.40 mm	Stitch No.=3860	ChangeColor No.=6	Trim No.=1

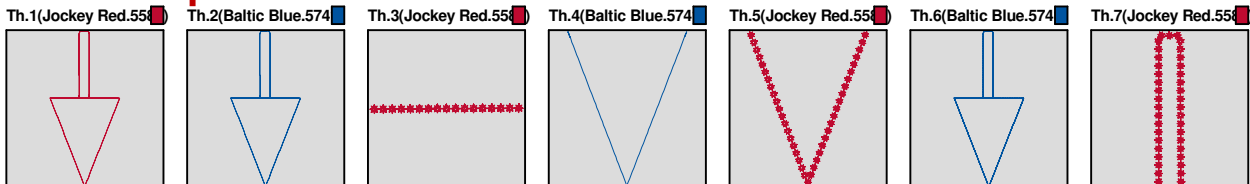
Design Note:

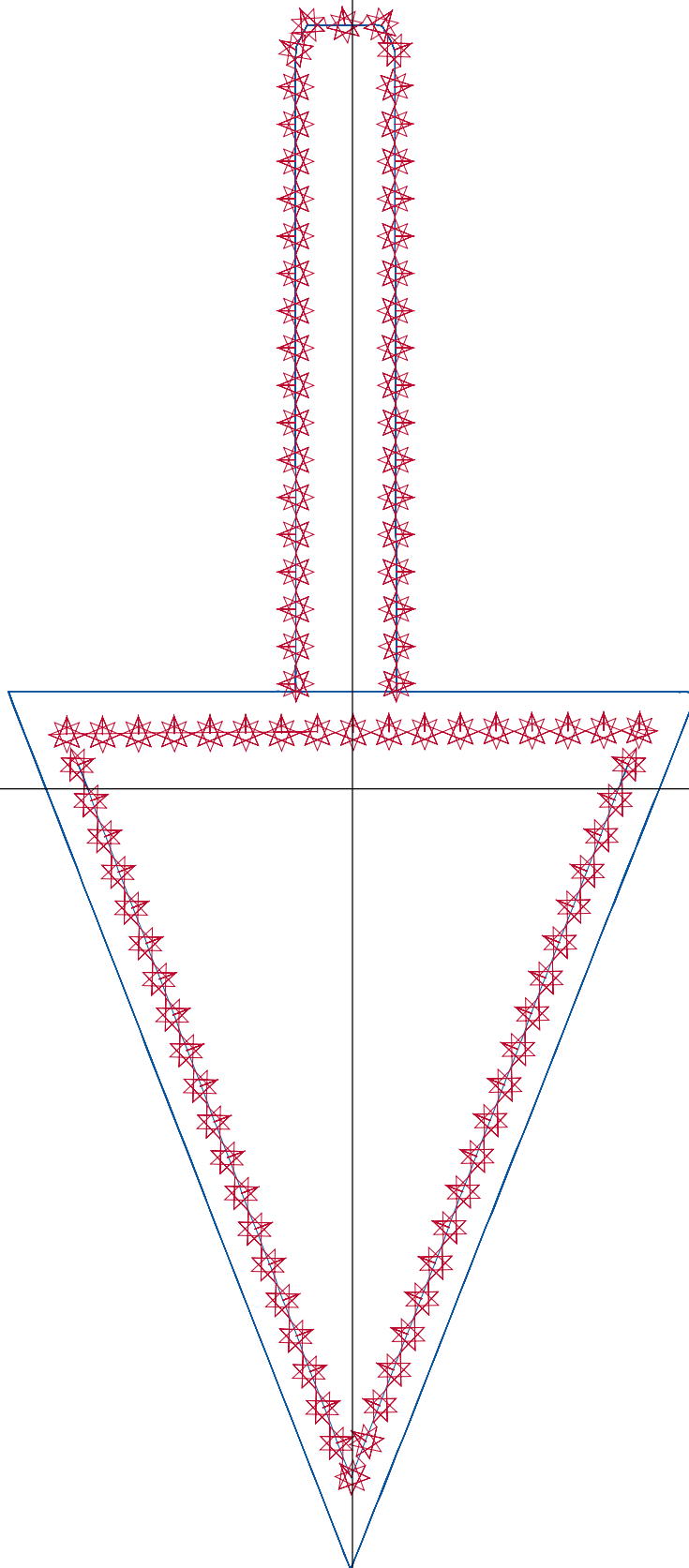
No.	Thread	Length(m)
1.	 Robison Anton Super Brite Poly.Jockey Red.5581	1.33
2.	 Robison Anton Super Brite Poly.Baltic Blue.5741	1.14
3.	 Robison Anton Super Brite Poly.Jockey Red.5581	1.16
4.	 Robison Anton Super Brite Poly.Baltic Blue.5741	0.23
5.	 Robison Anton Super Brite Poly.Jockey Red.5581	2.69
6.	 Robison Anton Super Brite Poly.Baltic Blue.5741	2.50
7.	 Robison Anton Super Brite Poly.Jockey Red.5581	2.56

ZOOM 88%



Color Sequence:



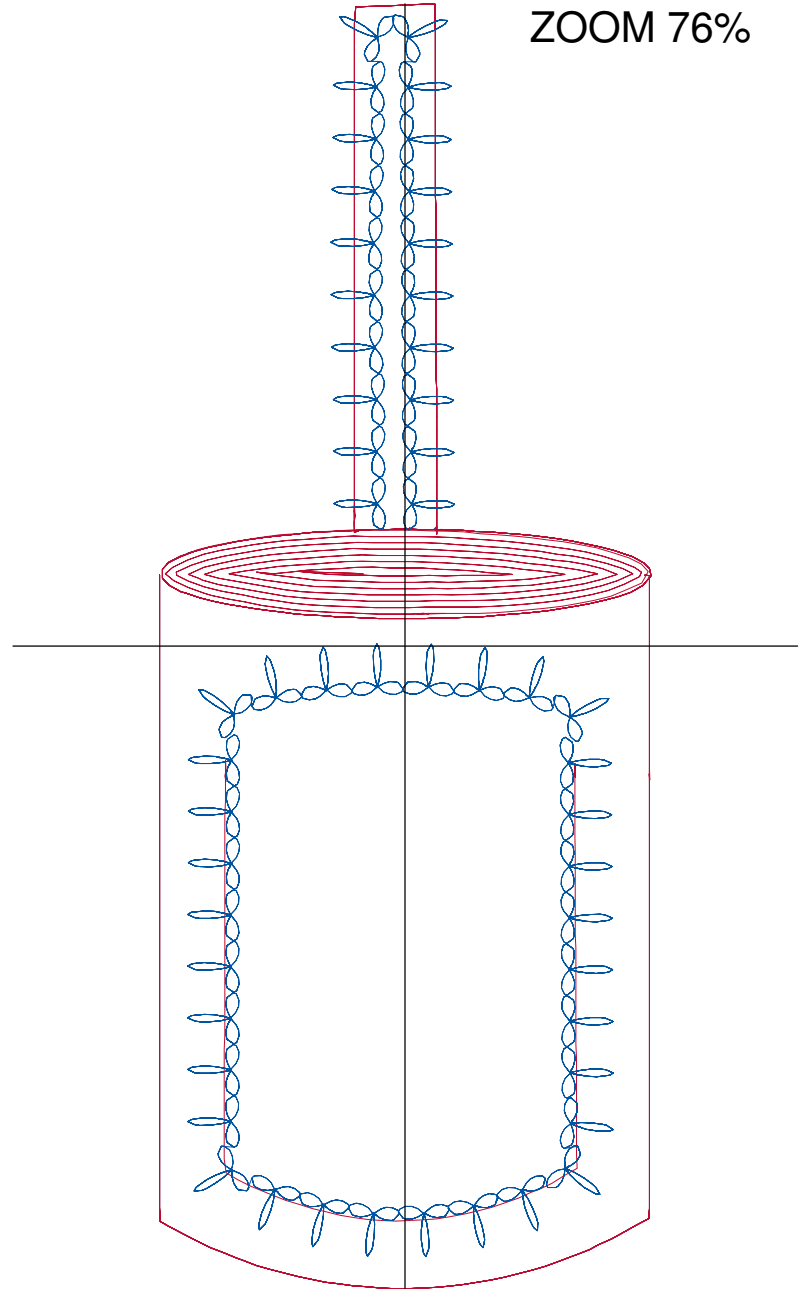


Design Name: atwnls1128-6x10	Customer Name:	Machine Set: Default	
Size=85.70 mm x 224.00 mm	Stitch No.=9092	ChangeColor No.=7	Trim No.=2

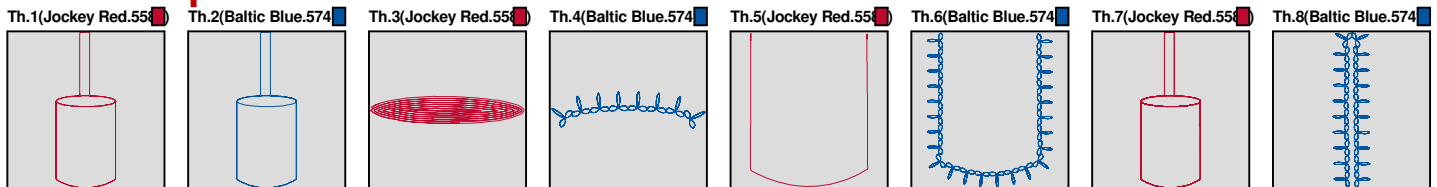
Design Note:

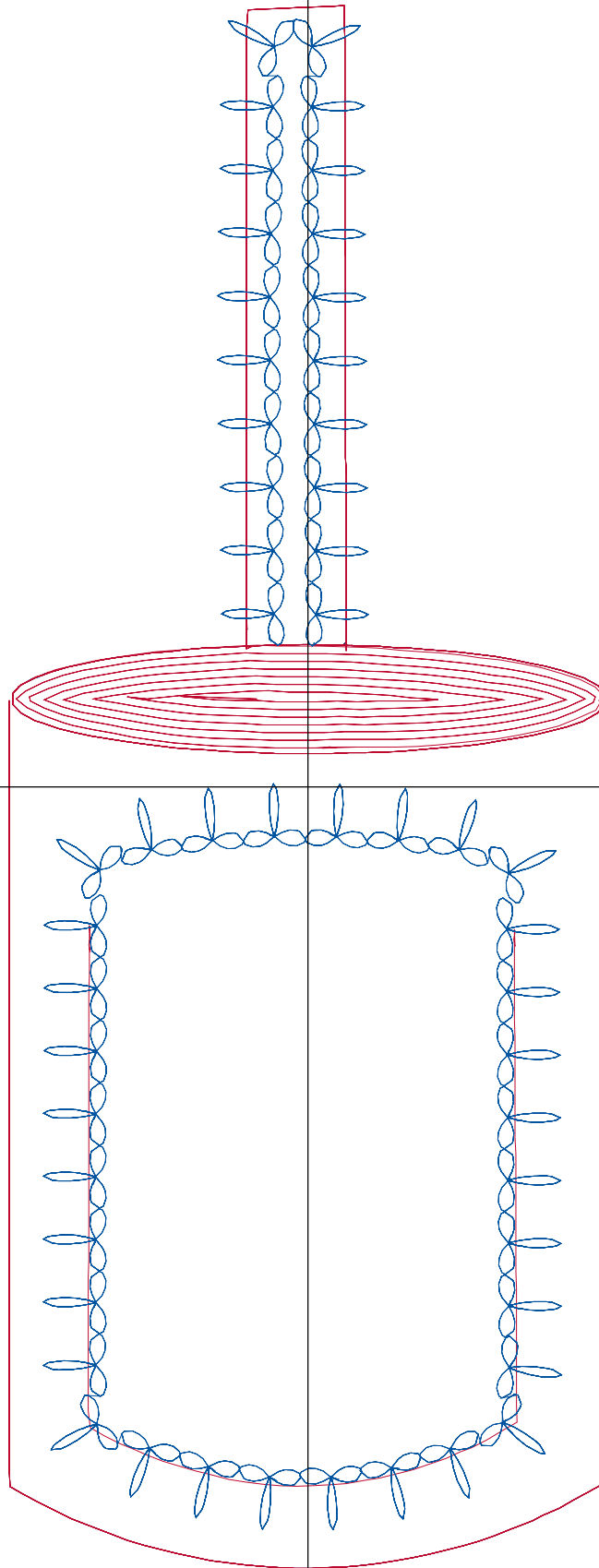
No.	Thread	Length(m)
1.	 Robison Anton Super Brite Poly.Jockey Red.5581	1.20
2.	 Robison Anton Super Brite Poly.Baltic Blue.5741	1.15
3.	 Robison Anton Super Brite Poly.Jockey Red.5581	1.87
4.	 Robison Anton Super Brite Poly.Baltic Blue.5741	1.07
5.	 Robison Anton Super Brite Poly.Jockey Red.5581	0.22
6.	 Robison Anton Super Brite Poly.Baltic Blue.5741	3.19
7.	 Robison Anton Super Brite Poly.Jockey Red.5581	2.94
8.	 Robison Anton Super Brite Poly.Baltic Blue.5741	2.66

ZOOM 76%



Color Sequence:





ATWNLS1129-6x10

Print At: 2018-2-19

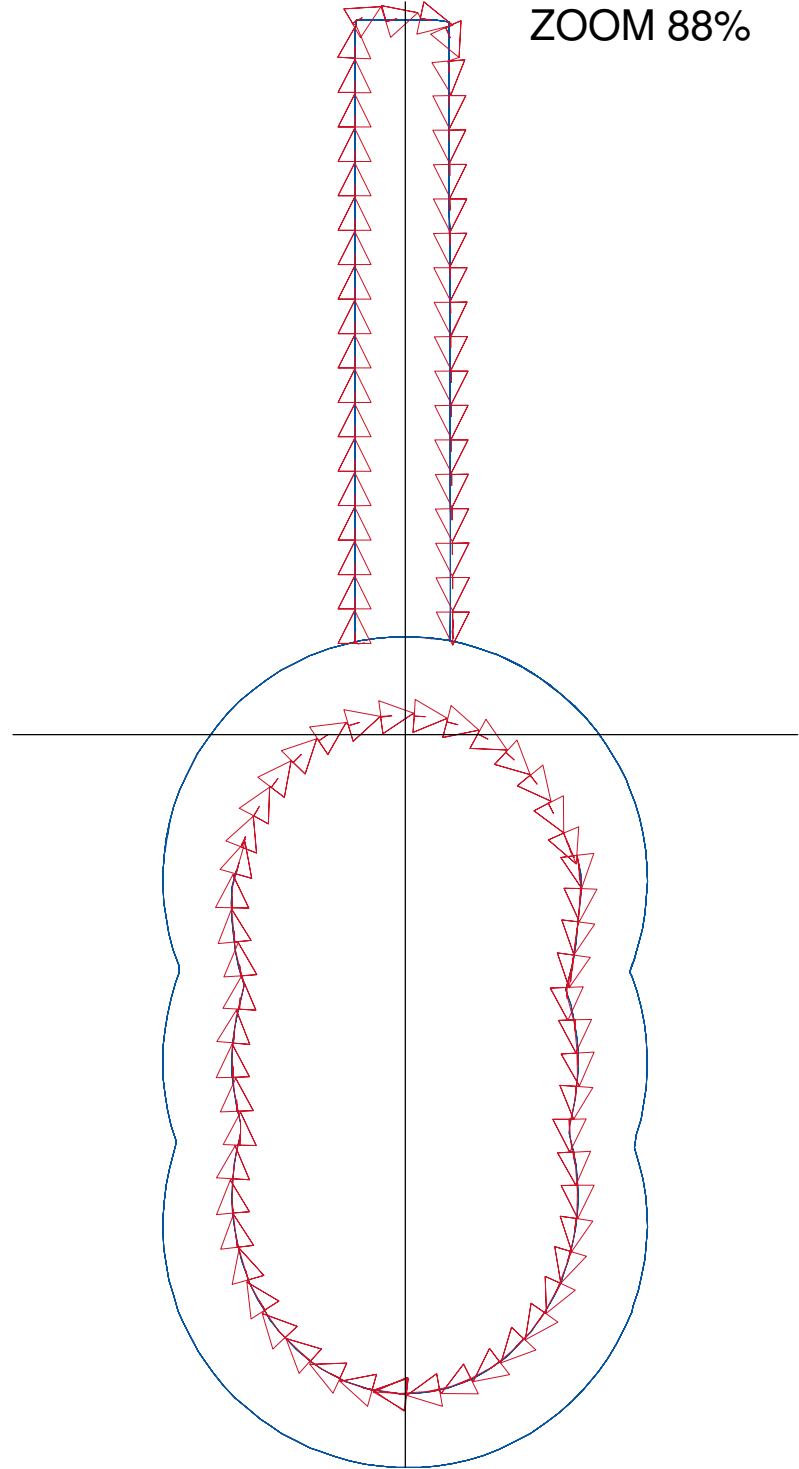
Design File: atwnls1129-6x10.gen

Design Name: atwnls1129-6x10	Customer Name:	Machine Set: Default	
Size=73.20 mm x 221.40 mm	Stitch No.=2892	ChangeColor No.=6	Trim No.=1

Design Note:

No.	Thread	Length(m)
1.	 Robison Anton Super Brite Poly.Scarlet Flame.9020	0.88
2.	 Robison Anton Super Brite Poly.Baltic Blue.5741	0.83
3.	 Robison Anton Super Brite Poly.Scarlet Flame.9020	0.40
4.	 Robison Anton Super Brite Poly.Baltic Blue.5741	0.39
5.	 Robison Anton Super Brite Poly.Scarlet Flame.9020	1.32
6.	 Robison Anton Super Brite Poly.Baltic Blue.5741	2.42
7.	 Robison Anton Super Brite Poly.Scarlet Flame.9020	1.11

ZOOM 88%



Color Sequence:

