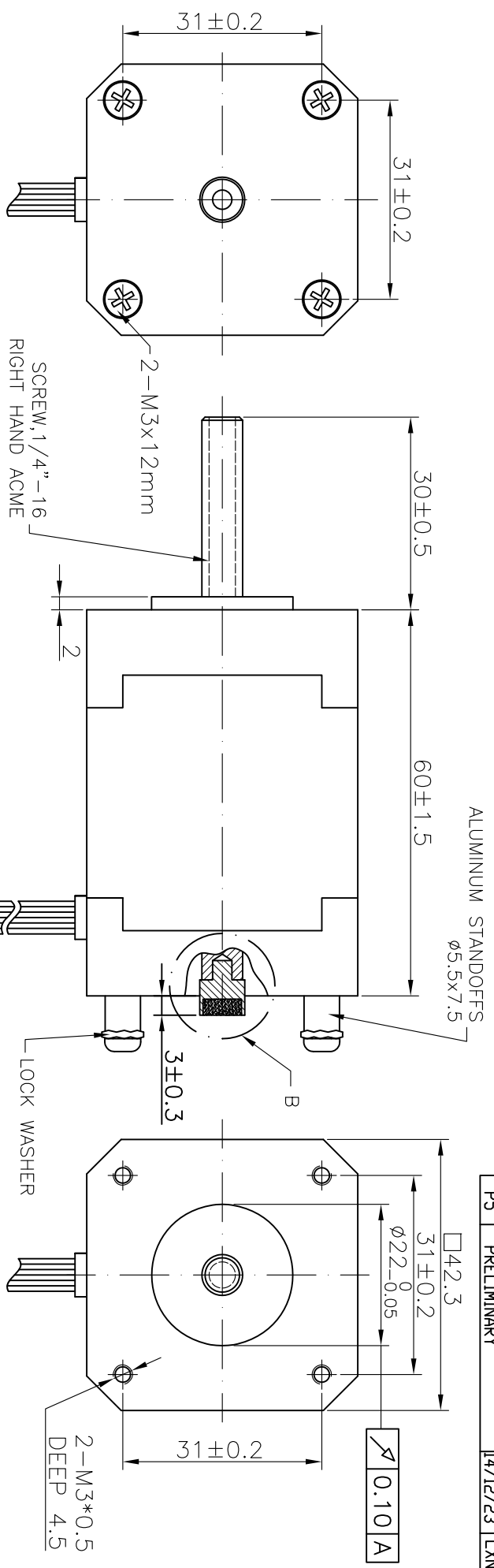
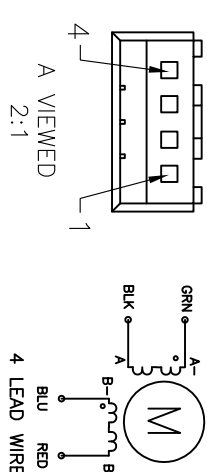
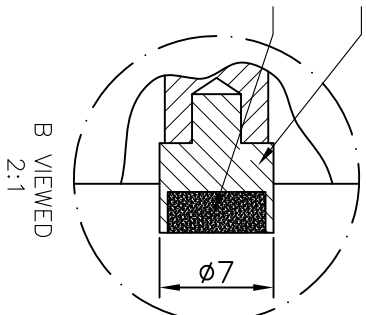


NOTES:
1.HI-POT: 600VAC/1sec., 2mA

REV	DESCRIPTION	DATE	APPROVE
P3	PRELIMINARY	14/10/22	LXN
P4	PRELIMINARY	14/10/23	LXN
P5	PRELIMINARY	14/12/23	LXN



CONNECTOR HOUSING:JUST PHR-4
CONTACTS:JUST SPH-002T-P0.5S-4
N-35SH NdfFeB
SINTERED MAGNET
072508AMS
COPPER MAGNET HOLDER



Exmex Electric
P/N:MP042NB610 REV: P2
S/N:XXXXX MM/YY
2 Phase 1.8 Step Motor
2.0 A, 2.3 OHMS, 6.0 mH
Made in China

32

MOTOR PARAMETERS	UNITS	TOLERANCE	VALUE
STEP ANGLE	°		1.8
ACCURACY			±5%
HOLDING TORQUE	Ncm		70
RATED CURRENT	A/ph		2.0
PHASE RESISTANCE @20°C	Ohms	±10%	2.3
PHASE INDUCTANCE	mH	±20%	6.0
DESENT TORQUE	Ncm	Max	3
ROTOR INERTIA (J ₀)	gcm ²		102
WEIGHT	g		500

PIN	COLOR	SIGNAL
1	RED	B
2	BLU	B-
3	GRN	A-
4	BLK	A

NOTE: THIS DRAWING HAS BEEN CREATED BY AUTOCAD. MANUAL REVISIONS ARE NOT ALLOWED.

MATERIAL	TOLERANCE
UNLESS OTHERWISE SPECIFIED	ISO 2768-1 MEDIUM

DRAWN	CHECKED	APPROVED - DATE	FILENAME	DATE	SCALE

Exmex

STEPPER MOTOR
MP042NB608

SHEET
1/1

THIS DRAWING AND THE INFORMATION DISCLOSED HEREIN ARE PROPRIETARY DATA OF EXMEX ELECTRIC CO. LTD. AND IS TO BE REPRODUCED OR TRANSMITTED IN ANY FORM OR BY ANY MEANS, ELECTRONIC OR MECHANICAL, WITHOUT THE WRITTEN APPROVAL OF EXMEX.