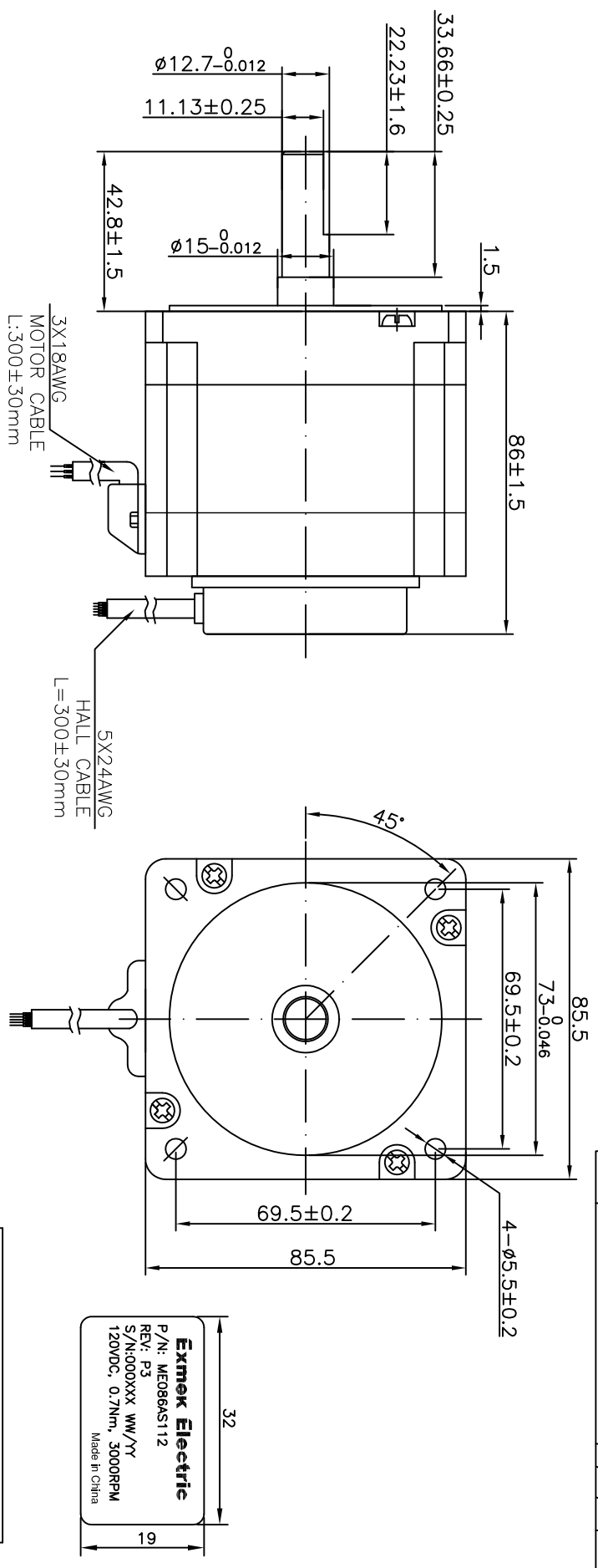


NOTES:  
1.HI-POT: 1800VAC/1sec., 2mA

REV	DESCRIPTION	DATE	APPROVE
P1	PRELIMINARY	15/01/12	QYJ
P2	PRELIMINARY	15/01/26	SQ
P3	PRELIMINARY	15/03/26	QYJ



**Exmex Electric**  
P/N: ME086AS112  
REV: P3  
S/N:0000XXX WW/YY  
120VDC, 0.7Nm, 3000RPM  
Made in China

CONNECTION CHART	
SENSOR	GROUND
	YELLOW HALL A
	GREEN HALL B
	BLUE HALL C
	RED S/DC
	BLACK GROUND
MOTOR	PHASE R
	YELLOW
	GREEN
	BLUE
	YEL/GRN
	YELLOW
	GREEN
	BLUE
	RED
	BLACK

Motor Specification	
Resistance	2.9 Ohms±10%
Inductance	7.7mH±20%
Voltage	120 VDC
Rated power	220 W
Rated Speed	3000 rpm
Rated Current	2.4 A
Rated Torque	0.7Nm
Peak Current	7.2 A
Peak Torque	2.1 Nm
Ke(RMS)	21 V/Krpm
KT	0.29Nm/A
Number of Poles	8
Insulation Class	B
Weight	1.93 Kg

TIMING DIAGRAM	
ELECTRICAL DEGREES	ROTATION: CLOCKWISE AS VIEWED FROM SHAFT END.
60°	
120°	
180°	
240°	
300°	
360°	

NOTE: THIS DRAWING HAS BEEN CREATED BY AUTOCAD. MANUAL REVISIONS ARE NOT ALLOWED.

MATERIAL	TOLERANCE UNLESS OTHERWISE SPECIFIED
ISO 2768-1 MEDIUM	

DRAWN	CHECKED	APPROVED - DATE	FILENAME	DATE	SCALE
					N/A

**Exmex**  
BRUSHLESS D.C. MOTOR  
ME086AS112  
SHEET 1/1

THIS DRAWING AND THE INFORMATION DISCLOSED HEREIN ARE PROPRIETARY DATA OF EXMEX ELECTRIC CO. LTD., AND IS TO BE IMMEDIATELY RETURNED UPON REQUEST. REPRODUCTION OF THIS DRAWING OR INFORMATION DISCLOSED HEREIN IS PROHIBITED WITHOUT THE EXPRESSED WRITTEN APPROVAL OF EXMEX.