

NOTES:  
1. HI-POT: 600VAC/1S, 2mA

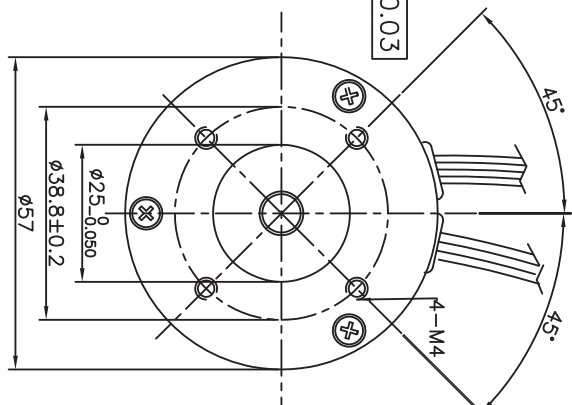
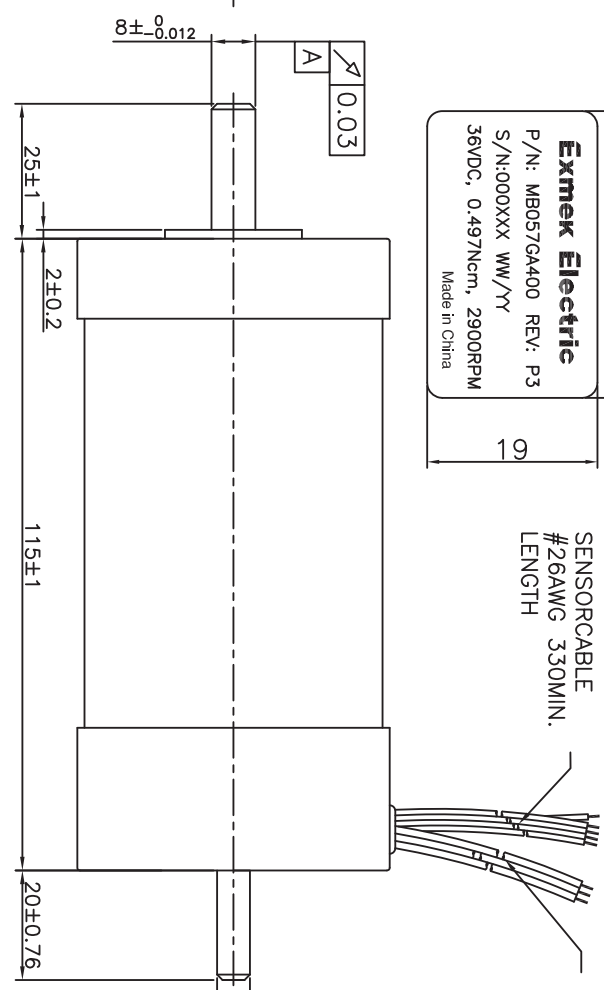
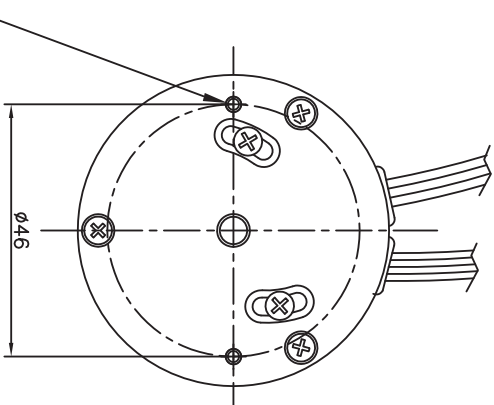
32

**Exmek Electric**  
P/N: MB057GA400 REV: P3  
S/N:000XXXX WW/YY  
36VDC, 0.497Ncm, 2900RPM  
Made in China

SENSORCABLE  
#26AWG 330MIN.  
LENGTH

MOTOR CABLE,  
#18AWG 330MIN.  
LENGTH

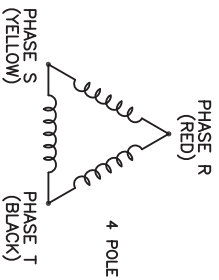
REV	DESCRIPTION	DATE	APPROVE
P1	PRELIMINARY	13/06/21	SQ
P2	PRELIMINARY	13/06/27	SQ
P3	ADD LABEL	13/08/06	SQ



MOTOR PARAMETERS @25°C		
	TOL.	UNITS
RATED VOLTAGE	NOM.	VDC
RATED SPEED	±10%	R.P.M.
RATED TORQUE	NOM.	Nm
PEAK TORQUE (Tp)	MAX.	Nm
TORQUE SENSITIVITY (Kt)	±10%	Nm/AMPS
BACK EMF CONSTANT (Ke) (L-L, D.C.)	±10%	V/K R.P.M.
D.C. RESISTANCE (Rd) (L-L)	±10%	OHMS
INDUCTANCE (L) (L-L)	±15%	mH
ROTOR INERTIA (Jd)	NOM.	Kg-cm <sup>2</sup>
FRICITION TORQUE	NOM.	Nm
DAMPING TORQUE	NOM.	Nm/KRPM
WINDING TEMPERATURE	MAX	DEG C
WEIGHT	NOM.	LBS

TIMING DIAGRAM	
ELECTRICAL DEGREES	ROTATION- COUNTERCLOCKWISE AS VIEWED FROM ROTATION- SHIFTE END.
60°	
120°	
180°	
240°	
300°	
360°	

COLOR CODE	
RED	FUNCTION
YELLOW	PHASE R
BLACK	PHASE S
BLUE	HALL A
GREEN	HALL B
WHITE	HALL C
RED	+5-24 VDC
BLACK	GROUND



NOTE: THIS DRAWING HAS BEEN CREATED BY AUTOCAD. MANUAL REVISIONS ARE NOT ALLOWED.

MATERIAL TOLERANCE UNLESS OTHERWISE SPECIFIED  
ISO 2768-1 MEDIUM

DRAWN	CHECKED	APPROVED - DATE	FILENAME	DATE	SCALE
XXD	ZHB	04/02/29	MB057GE100	04/02/29	N/A



D.C. BRUSHLESS MOTOR  
MB057GA400  
SHEET 1/1

THIS DRAWING AND THE INFORMATION DISCLOSED HEREIN ARE PROPRIETARY DATA OF EXMEK ELECTRIC CO. LTD., AND IS TO BE IMMEDIATELY RETURNED UPON REQUEST. REPRODUCTION OF THIS DRAWING OR THE INFORMATION CONTAINED HEREIN IS PROHIBITED WITHOUT THE EXPRESSED WRITTEN APPROVAL OF EXMEK.