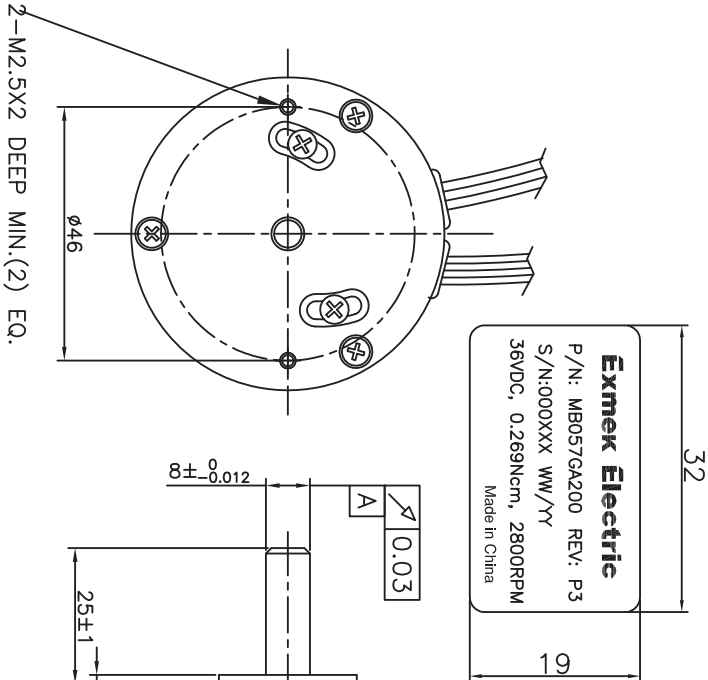
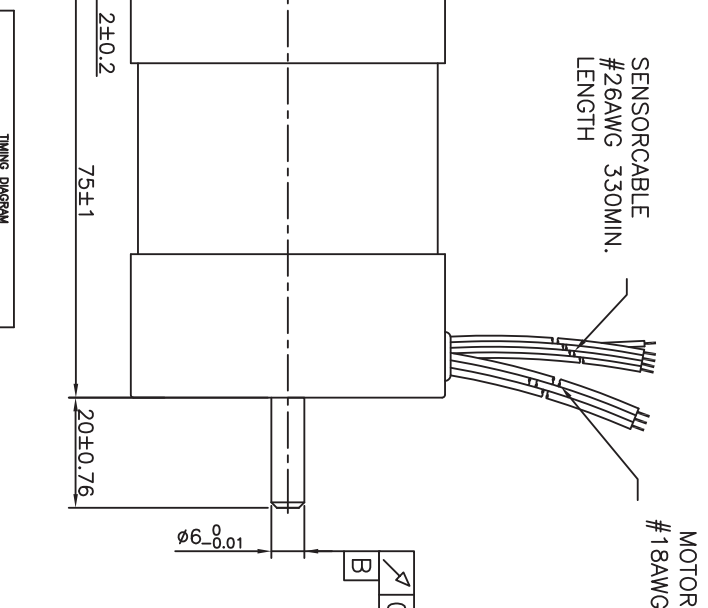


NOTES:
1. HI-POT: 600VAC/1S, 2mA



Exmex Electric
P/N: MB057GA200 REV: P3
S/N:000XXX WW/YY
36VDC, 0.269Ncm, 2800RPM
Made in China



SENSORCABLE
#26AWG 330MIN.
LENGTH

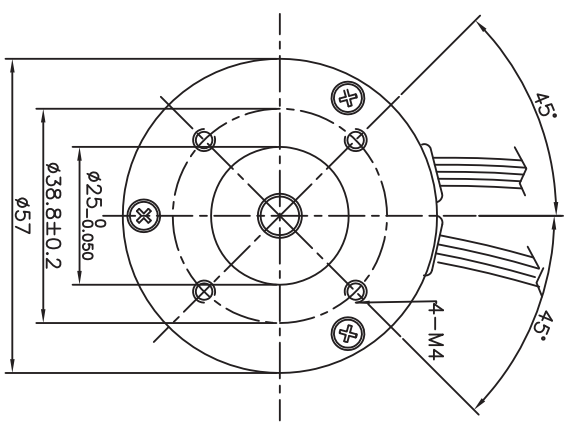
MOTOR
CABLE,
#18AWG
330MIN.
LENGTH

REV	DESCRIPTION	DATE	APPROVE
P1	PRELIMINARY	13/06/21	SQ
P2	PRELIMINARY	13/06/27	SQ
P3	ADD LABEL	13/08/06	SQ

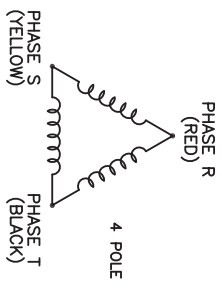
MOTOR PARAMETERS @25°C		
	TOL.	UNITS
RATED VOLTAGE	NOM.	VDC
RATED SPEED	±10%	R.P.M.
RATED TORQUE	NOM.	Nm
PEAK TORQUE (1P)	MAX.	Nm
TORQUE SENSITIVITY (Kt)	±10%	Nm/AMPS
BACK EMF CONSTANT (Ke) (L-L, D.C.)	±10%	V/K R.P.M.
D.C. RESISTANCE (R) (L-L)	±10%	OHMS
INDUCTANCE (L) (L-L)	±15%	mH
ROTOR INERTIA (Jo)	NOM.	Kg-cm ²
FRICTION TORQUE	NOM.	Nm
DAMPING TORQUE	NOM.	Nm/KRPM
WINDING TEMPERATURE	MAX.	DEG C
WEIGHT	NOM.	LBS

TIMING DIAGRAM							
ELECTRICAL DEVICES	0°	90°	120°	180°	240°	300°	360°
HALL A							
HALL B							
HALL C							
PHASE R-S							
PHASE S-T							
PHASE T-R							

NOTATION: COUNTERCLOCKWISE AS VIEWED FROM ROTATION; SWIFT END.



COLOR CODE	
COLOR	FUNCTION
RED	PHASE R
YELLOW	PHASE S
BLACK	PHASE T
BLUE	HALL A
GREEN	HALL B
WHITE	HALL C
RED	+5-24 VDC
BLACK	GROUND



NOTE: THIS DRAWING HAS BEEN CREATED BY AUTOCAD. MANUAL REVISIONS ARE NOT ALLOWED.
TOLERANCE UNLESS OTHERWISE SPECIFIED
ISO 2768-1 MEDIUM

DRAWN	CHECKED	APPROVED - DATE	FILENAME	DATE	SCALE
XXD	ZHB	04/02/29	MB057GE100	04/02/29	N/A

Exmex
D.C. BRUSHLESS MOTOR
MB057GA200
SHEET 1/1

THIS DRAWING AND THE INFORMATION DISCLOSED HEREIN ARE PROPRIETARY DATA OF EXMEX ELECTRIC CO., LTD., AND IS TO BE UNCONDITIONALLY RETURNED UPON REQUEST. REPRODUCTION OR TRANSMISSION OF THIS DRAWING OR INFORMATION HEREIN IS PROHIBITED WITHOUT THE EXPRESSED WRITTEN APPROVAL OF EXMEX.