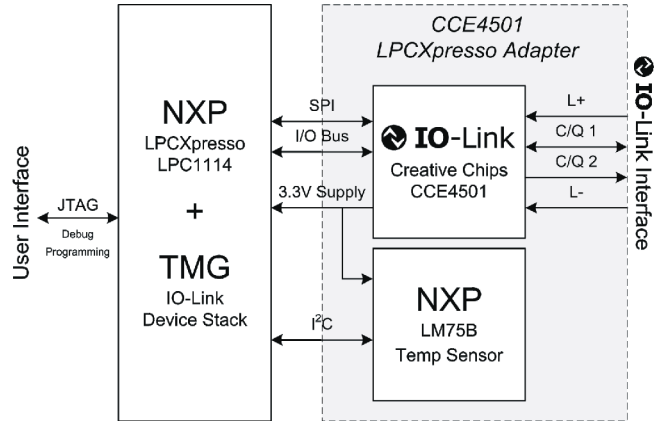
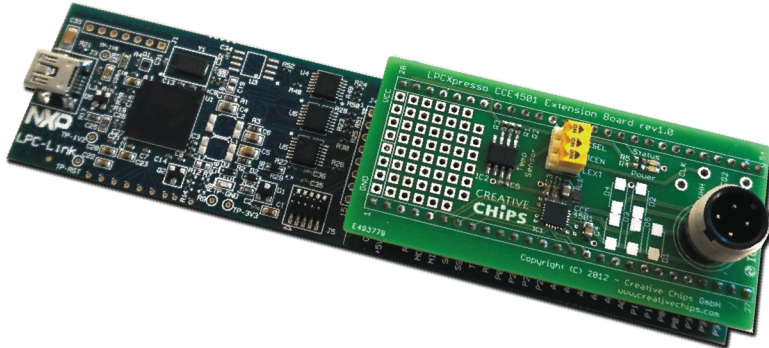


Customized IO-Link Solutions

LPC Xpresso Adapter Board

- CREATIVE CHIPS CCE4501 as PHY for IO-Link Communication
- Board supplies generated by integrated DC/DC converter
- includes NXP Temperature sensor as sample application
- Features customizable TMG device stack



NXP LPC Xpresso Board OM11049

- Features NXP LPC1114 Cortex M0 microcontroller
- Industry's lowest 32-bit active power consumption
- Including JTAG debugger and eclipse-based IDE
- See website: www.nxp.com/demoboard/OM11049.html