

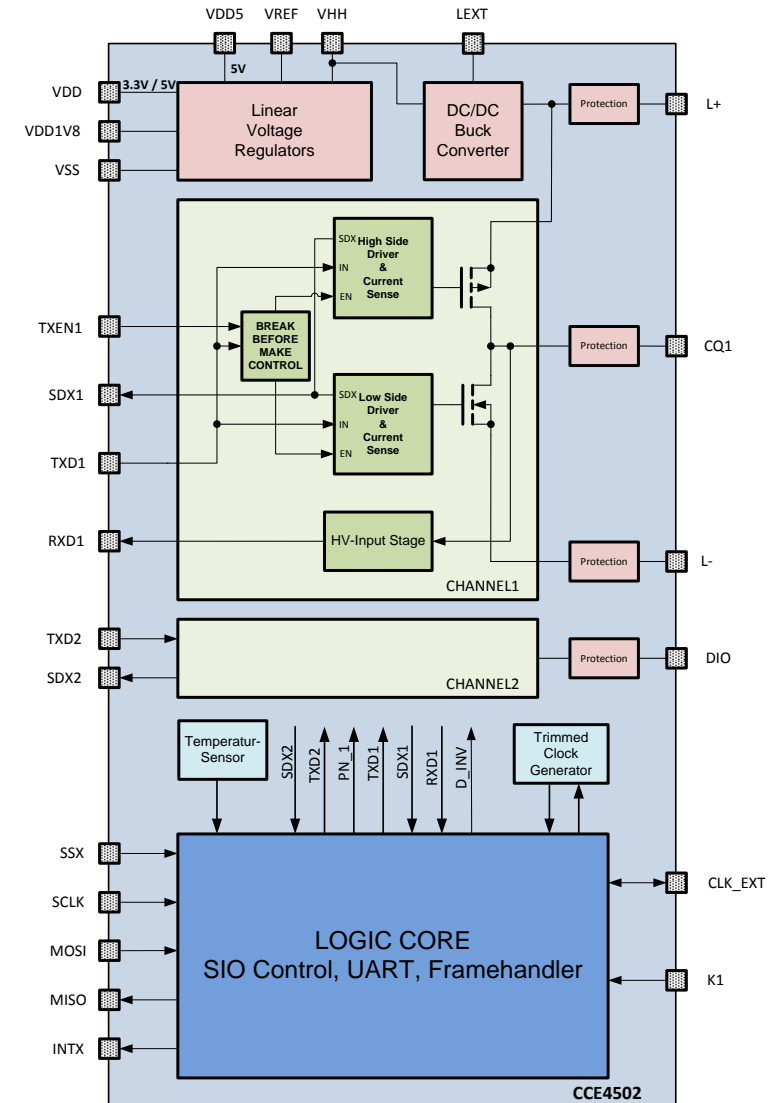
## CCE4502 IO-Link Device IC

### Features

- IO-Link compliant transceiver
- Integrated UART (COM1-3)
- Hardware IO-Link stack support
- All IO-Link frame types supported
- One IO-Link slave up to 200 mA driving current
- Programmable PNP-, NPN- and Push-Pull mode
- Auxiliary multi-purpose 200mA IO channel
- On-chip oscillator with  $\pm 2\%$  frequency accuracy
- Reverse polarity and short circuit protection
- Two LDO voltage regulators (programmable 3.3V/5V and 5V)
- DC/DC buck converter 7V
- Temperature stable reference voltage output
- Slew rate control
- High temperature detection
- Evaluation board available
- QFN24, 4x4mm package or CSP 2.5x2mm



Parameters	Condition	Min	Typ	Max	Unit
Supply Voltage	$V_{L+} - V_{L-}$	9	24	36	V
IO-Link Output Current				200	mA
Output Voltage DC/DC Converter	VHH	5.5	7	8.5	V
Switching Frequency DC/DC Converter		1.5		2.5	MHz
Output Current DC/DC Converter				60	mA
Output Voltage Low-Drop Regulator	3.3V programmed	3.1	3.3	3.5	V
	5V programmed	4.75	5	5.25	V
Output Current Low-Drop Regulator	DC/DC active			50	mA
5V Voltage Regulator Output Voltage	VDD	4.75		5.25	V
Power Dissipation	QFN24 package			1	W
Temperature Range	$\vartheta_{op}$	-40		105	°C
Frequency RC Oscillator		-2%	14.745	+2%	MHz
Reference Voltage	$T_{amb}=25^{\circ}C$	1.15	1.18	1.21	V



Disclaimers:  
Creative Chips GmbH reserves the right to make changes without further notice to any products herein to improve reliability, function or design. Creative Chips does not assume any liability arising out of the application or use of any product or circuit described herein; neither does it convey any license under its patent rights, nor the rights of others. These products are not authorized for use as critical components in life support devices or systems without the written approval of Creative Chips.