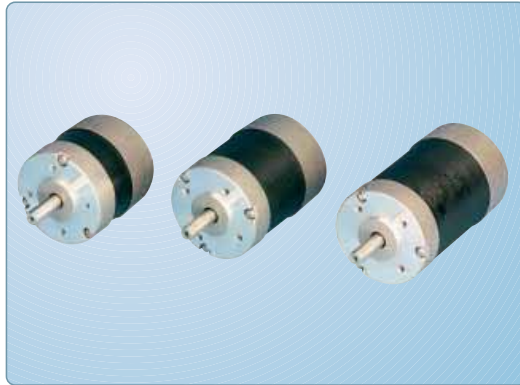
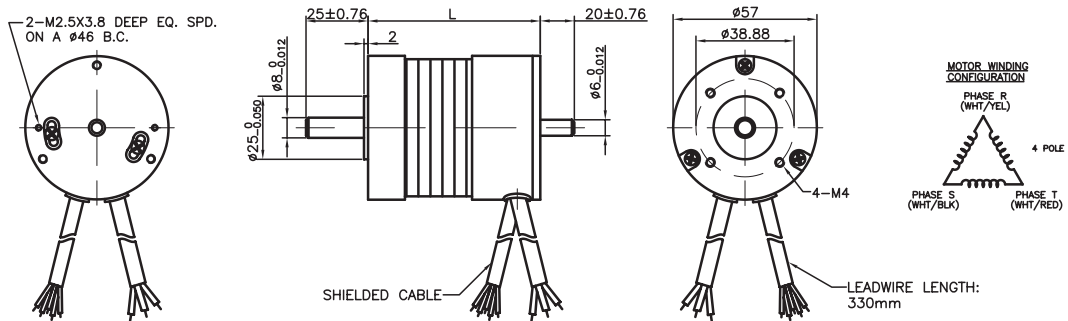


# MB057GE series

## Brushless Servo Motor



### Mechanical



### Standard Features:

- 4pole with 3phase winding.
- Continuous Torque from 0.14 to 0.48N.m
- Speed up to 6000rpm, High Dynamic performance
- Hall effect commutation (120°), very low cogging torque
- Ins. Class B, higher insulation and protection optional
- Flange Mounting According to IEC 34-7

### Performance Data:

Part No.	MB057GE100	MB057GE200	MB057GE300	MB057GE400
Length(mm)	65	85	105	125
Max Voltage(V)	60	60	60	60
Torque	Continuous(N.m)	0.14	0.27	0.39
	Peak(N.m)	0.42	0.81	1.17
Speed(rpm)	5000	5000	5000	5000
Current	Continuous(A)	2.0	3.5	5.1
	Peak(A)	5.9	10.6	15.4
Torque Constant(N.m/A)	0.080	0.084	0.084	0.078
Resistance (Ohms)	2.8	1.3	2.7	0.61
Inductance (mH)	8.6	4.2	2.7	1.63
Inertia(Kg.cm <sup>2</sup> )	0.075	0.119	0.173	0.245
Weight(Kg)	0.5	0.8	1.2	1.4