

A

A

B

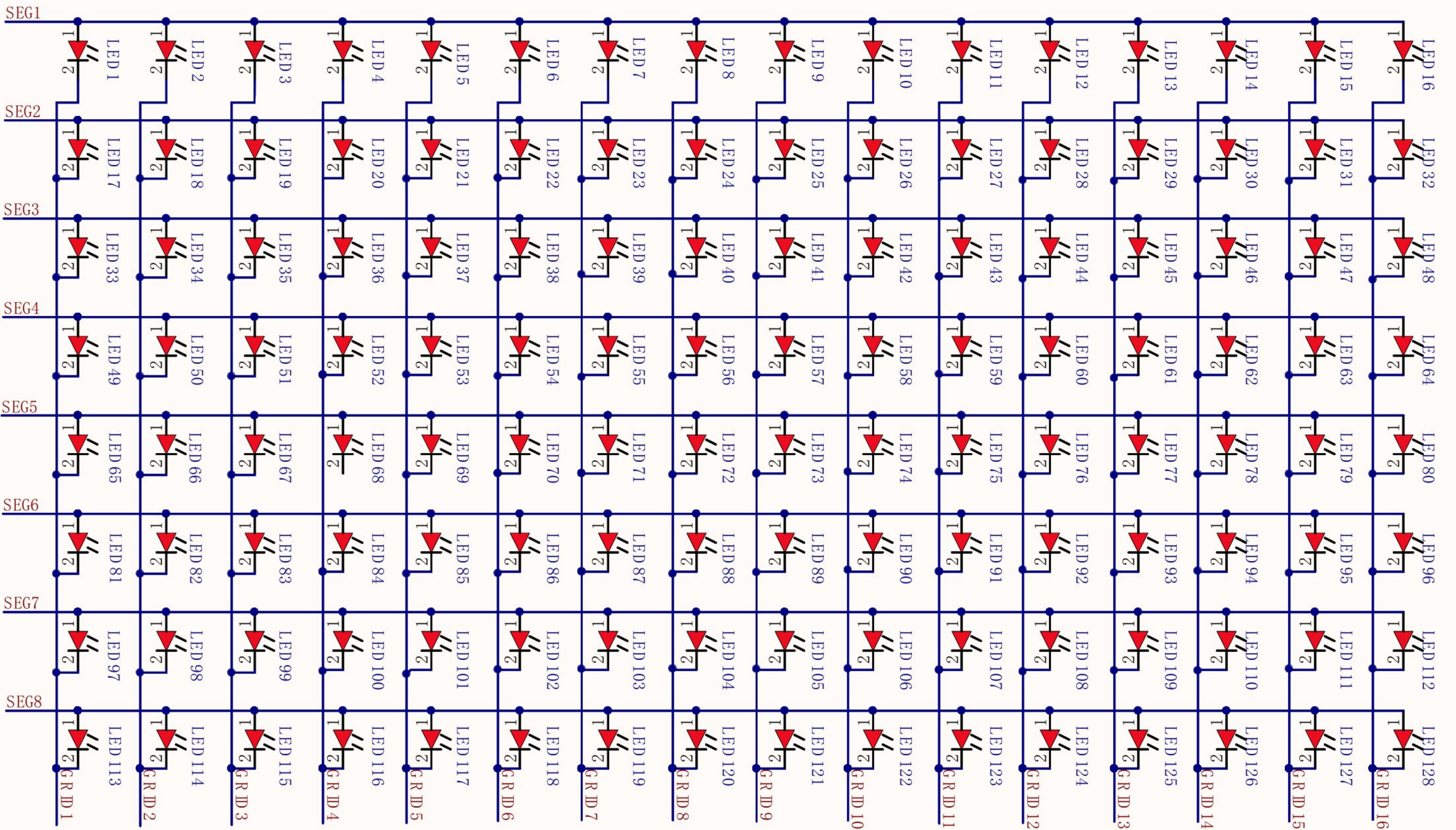
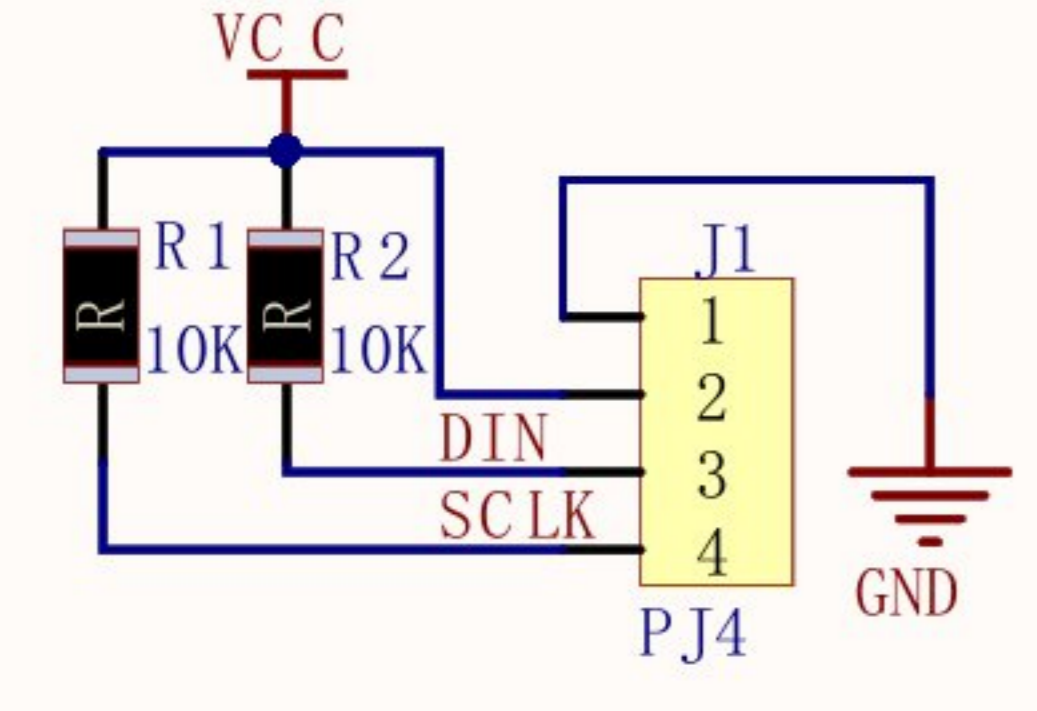
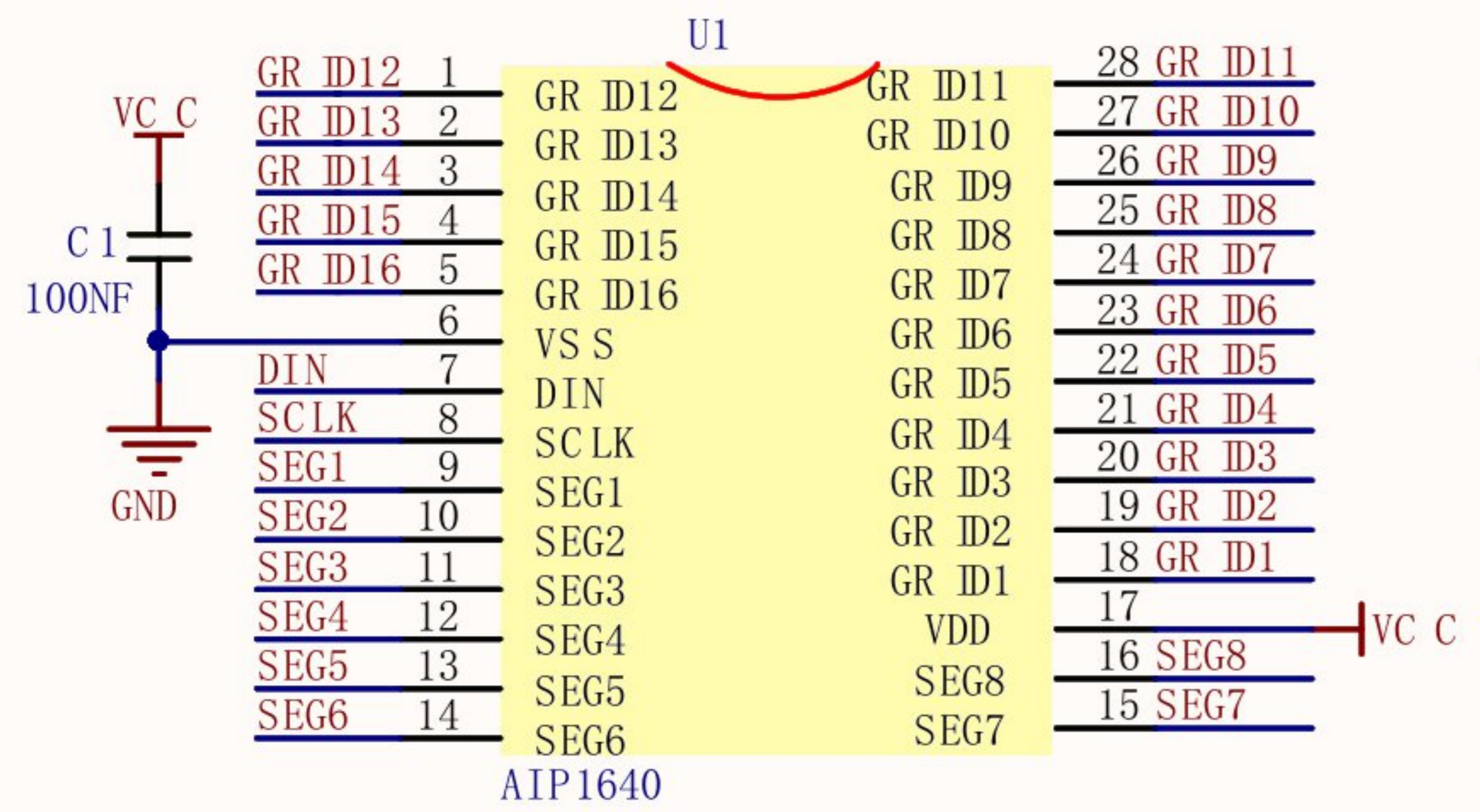
B

C

C

D

D



Title		
Size	Number	Revision
A4		
Date	Sheet of	
File	Drawn By:	