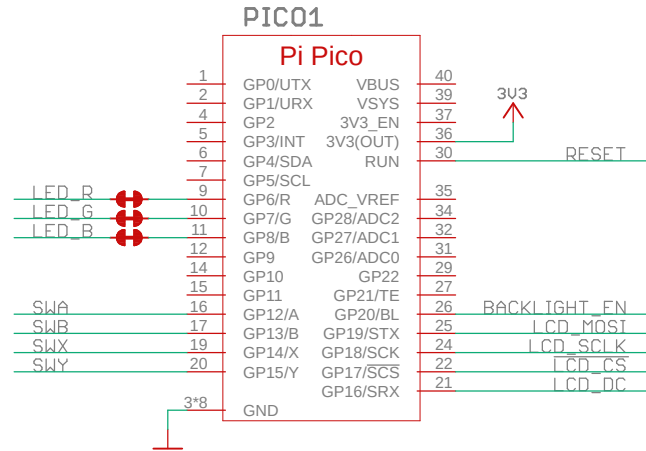
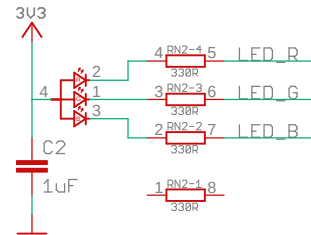


Pico Display Pack (PIM543)

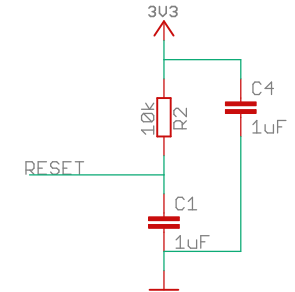
Pico connector



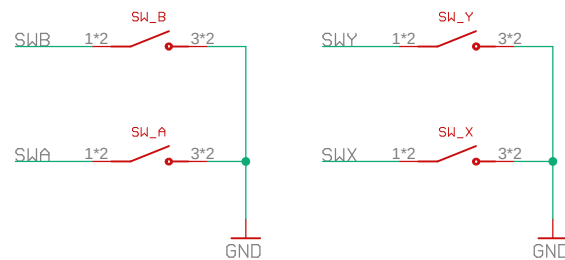
RGB LED



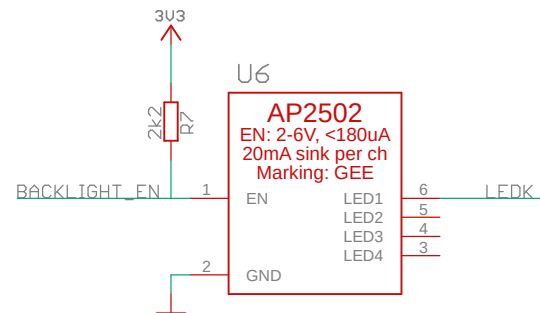
Display reset circuit



Buttons



LCD Backlight Driver



1.14" 240x135 IPS SPI LCD connector

HX-10P 0.5mm TOP CONTACT

