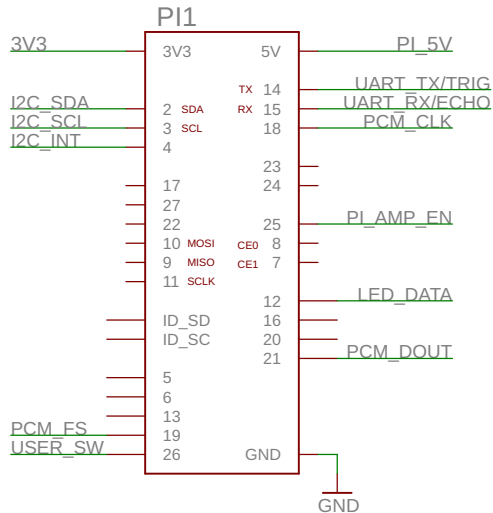
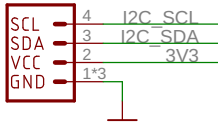


Inventor HAT Mini (PIM672)

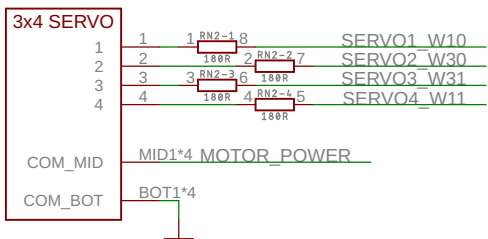
Pi GPIO connector



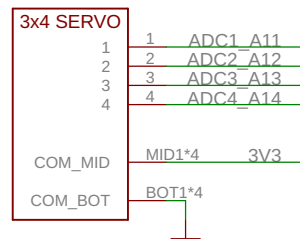
Qw/st connector
J1



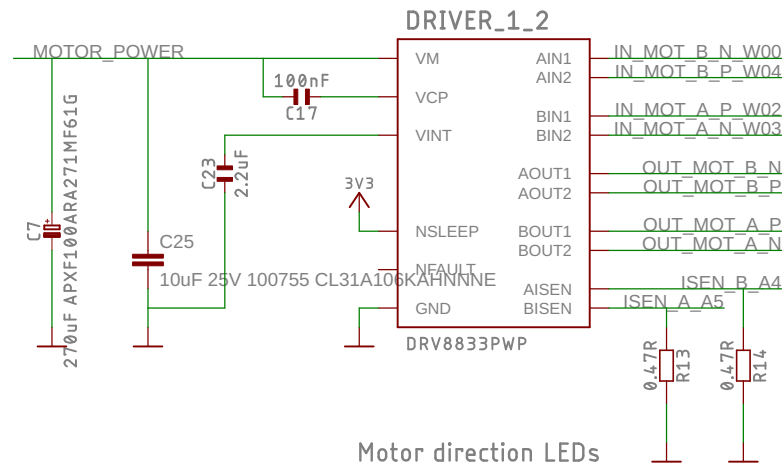
J4 Servos/PWM outputs



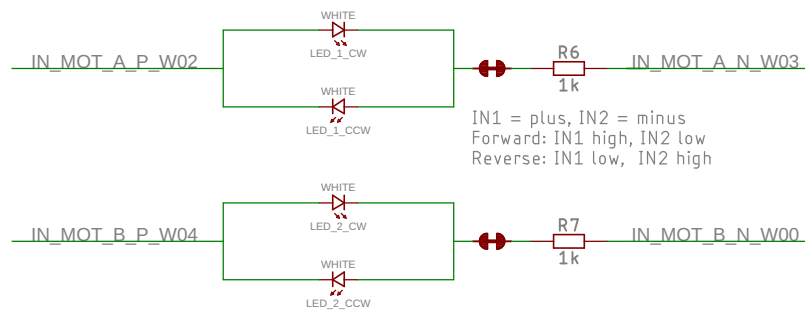
J5 GPIO/ADC



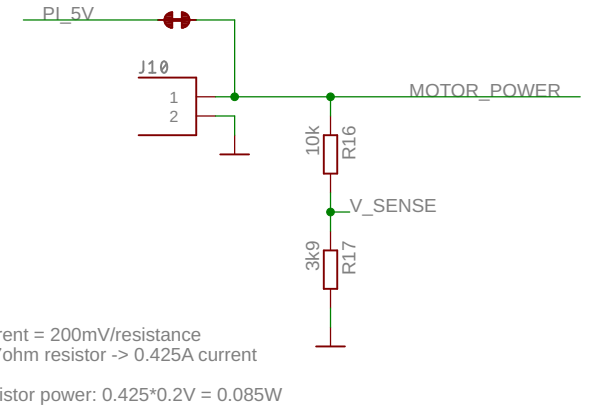
Dual motor driver, channels 1 and 2



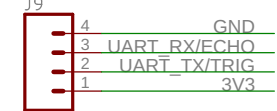
Motor direction LEDs



Extra power input and voltage sense



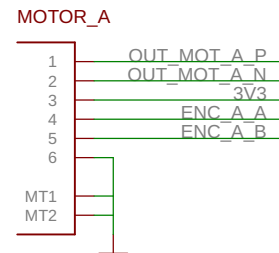
Ultrasound / UART connector
J9



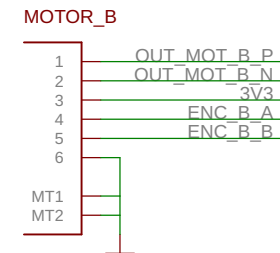
Buttons



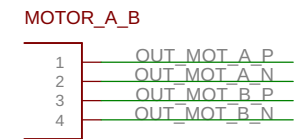
Motor+encoder connector, A



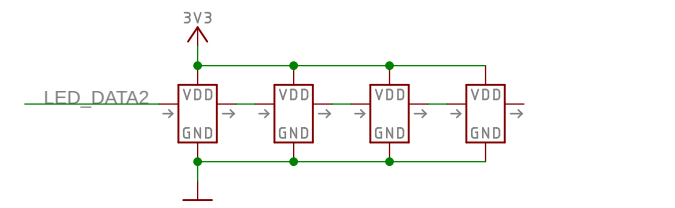
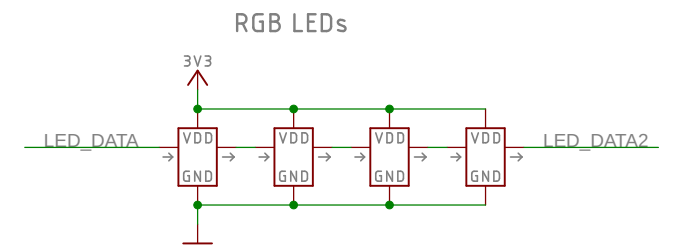
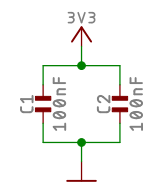
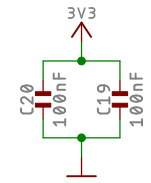
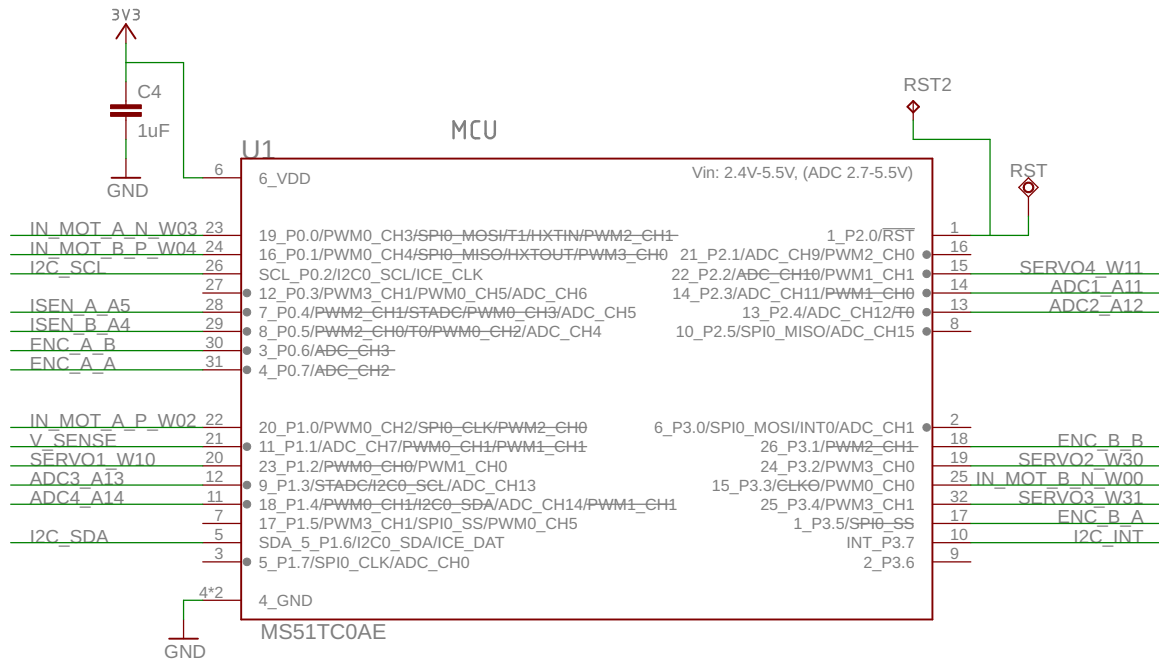
Motor+encoder connector, B



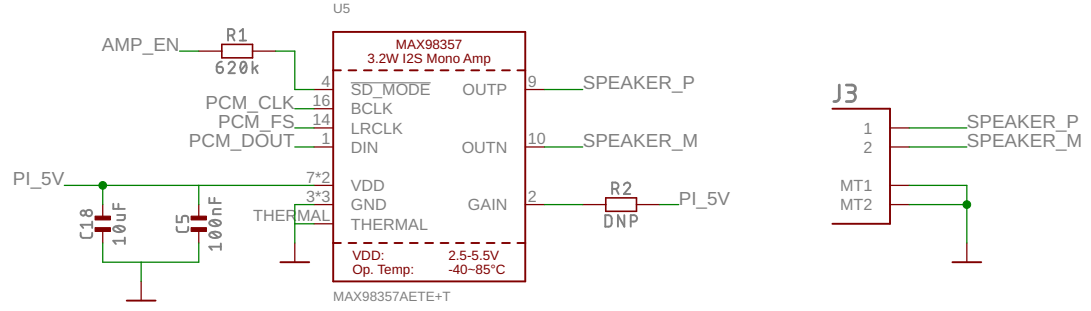
Motor dupont connector



Inventor HAT Mini (PIM672)



Audio DAC + amplifier



R2 DNP -> Gain 9dB
R2 = 0ohm -> Gain 6dB
R2 = 100k -> Gain 3dB

(resistances at 5V / 3V3 IO voltage)
R1 = 1M/620k -> mix both channels
R1 = 0ohm -> left channel
R1 = 370k/220k -> right channel

Amp shutdown circuitry

