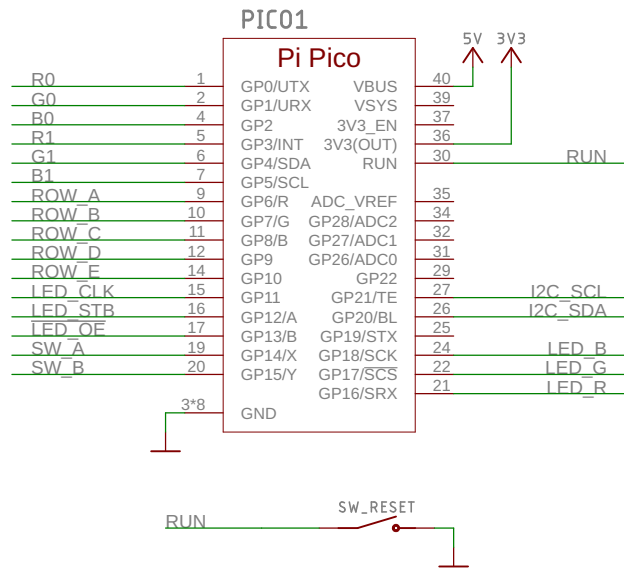
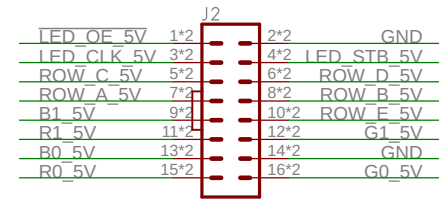


Interstate 75 W led matrix driver (PIM662)

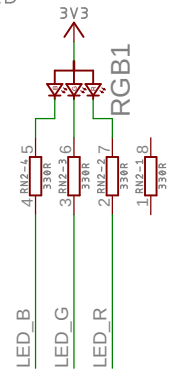
Pico W



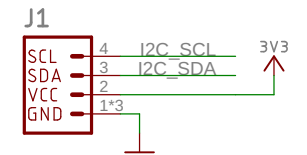
LED Matrix header
(top view of driver side connector)



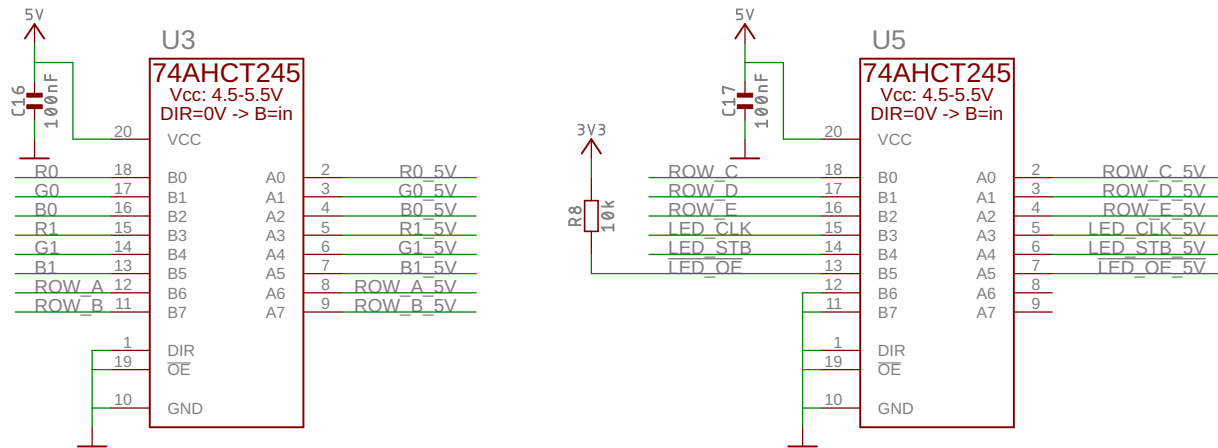
RGB LED



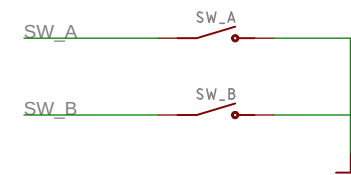
Qwiic / Stemma QT connector



5V level shifters



User switches



5V screw terminals

