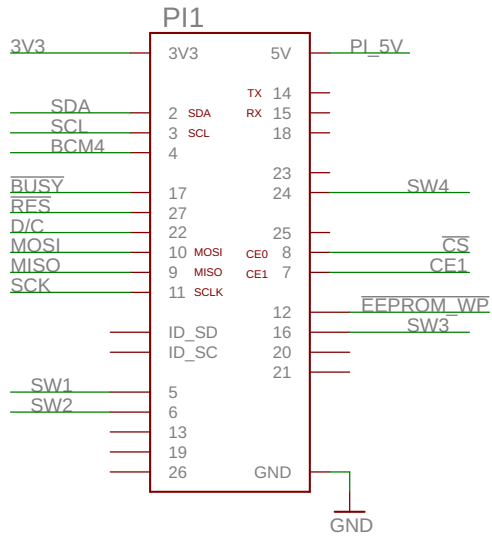
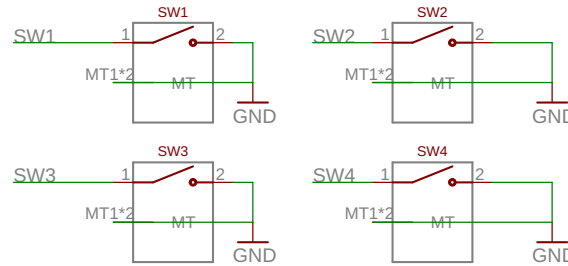


Inky Impression 5.7" (PIM534)

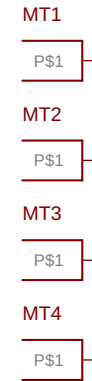
Pi connector



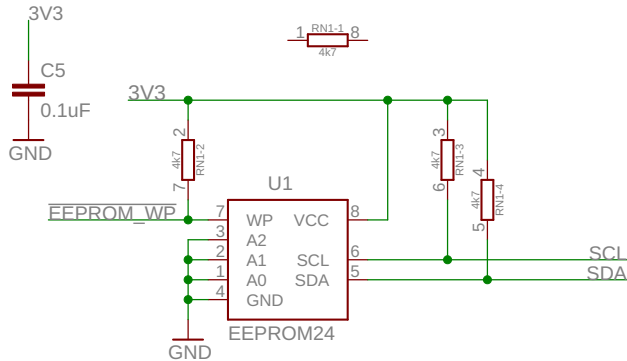
Buttons



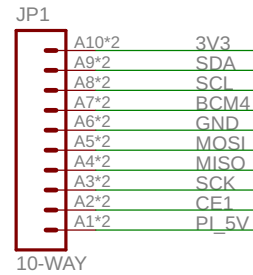
Screw mounts



HAT EEPROM

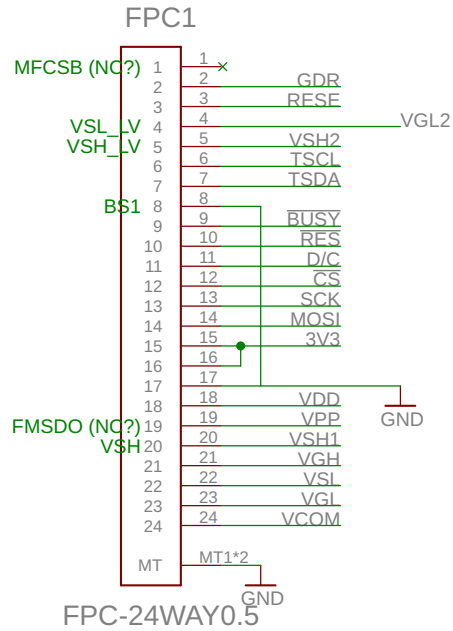


GPIO header



Inky Impression 5.7" (PIM534)

Display connector



Display power circuitry

