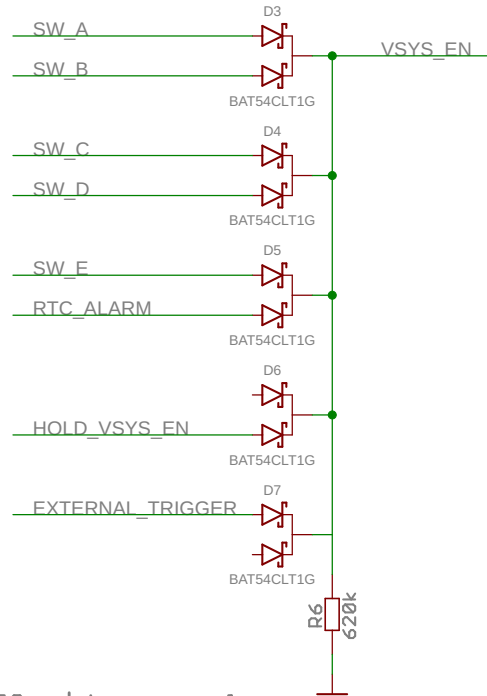
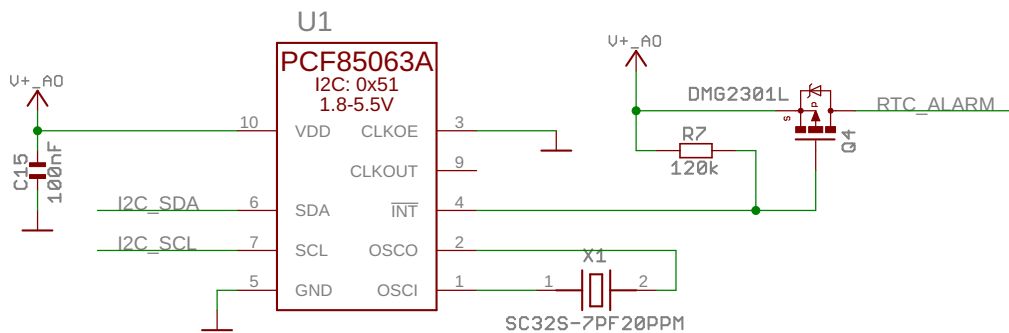


Inky Frame 5.7" (PIM625): Power & RTC

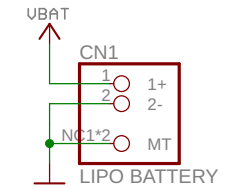
Wakeup signals



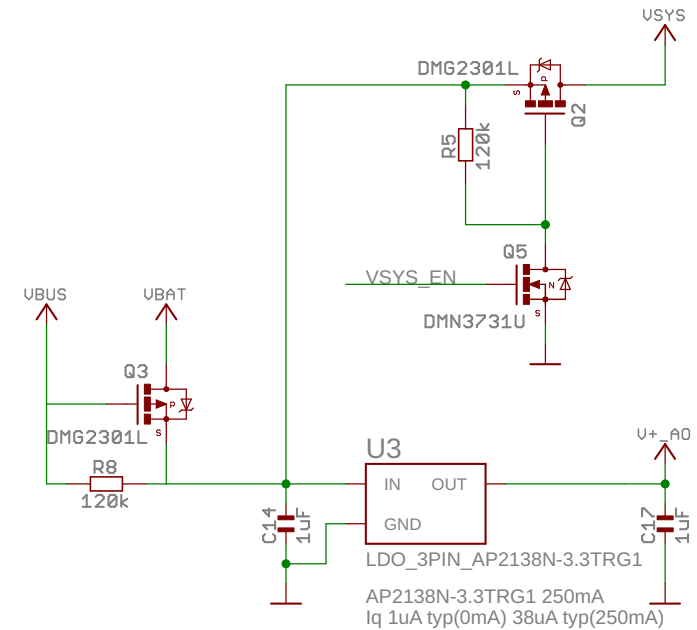
RTC with crystal



Lipo connector



Power switching & always-on power



Inky Frame 5.7" (PIM625): MicroSD

