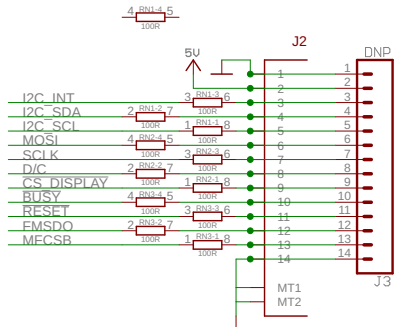
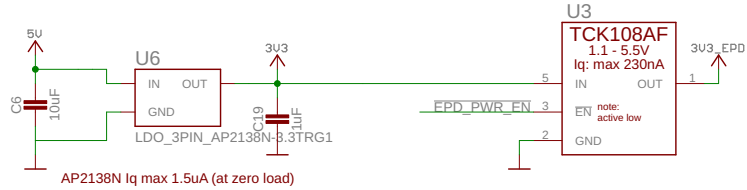


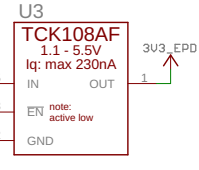
Host connector & breakout



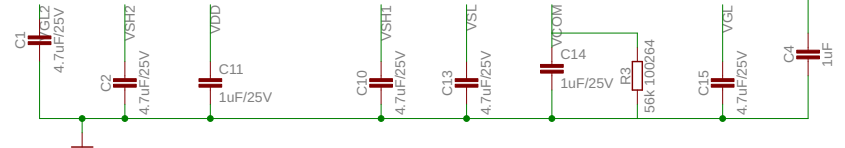
LDO



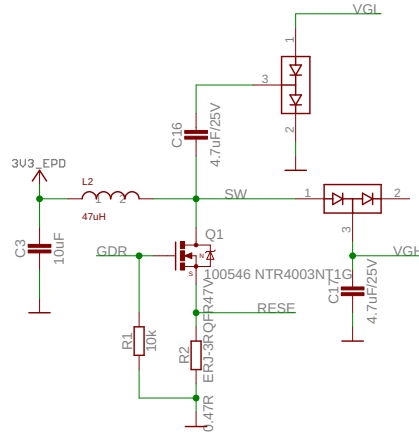
EPD load switch



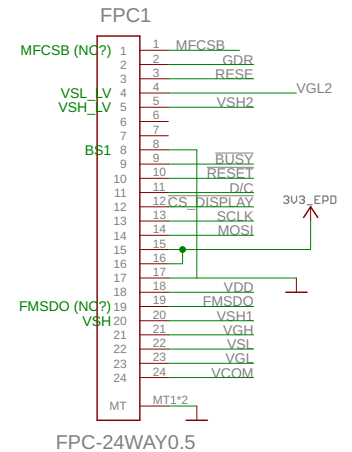
EPD power capacitors



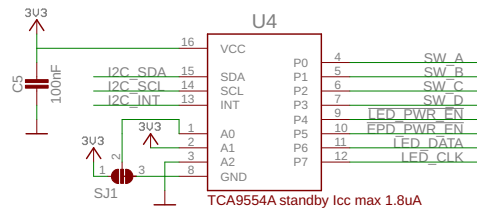
EPD power



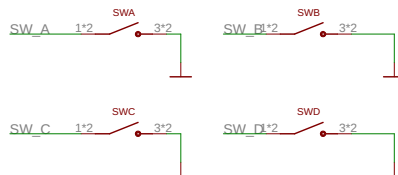
EPD connector



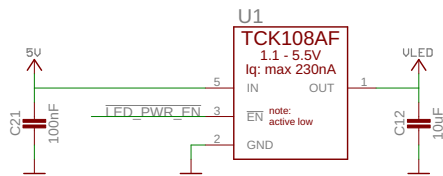
IO expander



Buttons



Load switch for LEDs



LEDs + buffer

