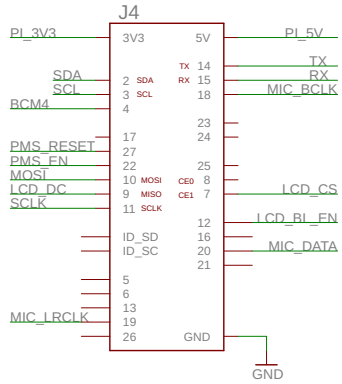
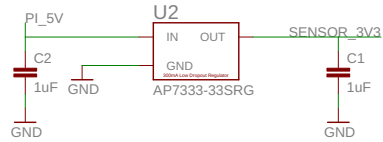


# Enviro for Raspberry Pi (PIM486)

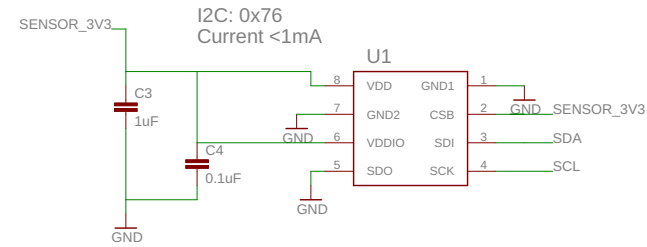
## Pi GPIO connector



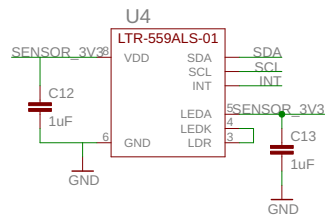
## 5V -> 3V3 LDO Regulator for sensors



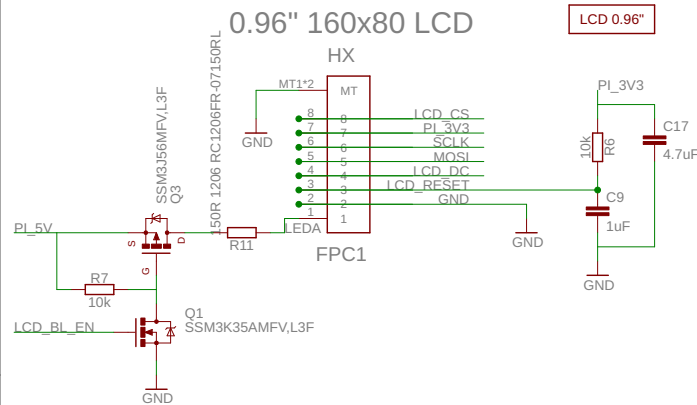
## BME280 Temperature + Humidity + Pressure Sensor



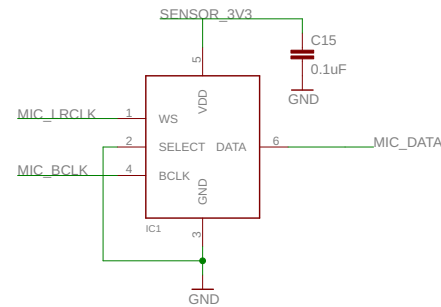
## LTR-559 digital light sensor



## 0.96" 160x80 LCD



## Digital I2S microphone



## I2C & ADC extension header, unpopulated

Breakout Garden Pinout

