

深圳市昱申科技有限公司
CHINA YOUNG SUN LED TECHNOLOGY CO., LTD.

TEL: (86) 755-28079401 28079402 28079403 28079404 28079405
FAX: (86) 755-28079407 E-mail: info@100LED.com Web: www.100LED.com

Model No.: YSL-R531K5D-D2

Applications:

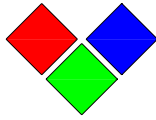
- Decorations
- Bill Insperctor
- Inceticidal Lights
- Medical Appliance

Absolute Maximum Ratings: (Ta=25°C) .

| ITEMS | Symbol | Absolute Maximum Rating | Unit |
|--------------------------------------|------------------|--|------|
| Forward Current | I _F | 20 | mA |
| Peak Forward Current | I _{FP} | 30 | mA |
| Suggestion Using Current | I _{SU} | 16-18 | mA |
| Reverse Voltage (V _R =5V) | I _R | 10 | uA |
| Power Dissipation | P _D | 105 | mW |
| Operation Temperature | T _{OPR} | -40 ~ 85 | °C |
| Storage Temperature | T _{STG} | -40 ~ 100 | °C |
| Lead Soldering Temperature | T _{SOL} | Max. 260°C for 3 Sec. Max. (3mm from the base of the epoxy bulb) | |

Absolute Maximum Ratings: (Ta=25°C)

| ITEMS | Symbol | Test condition | Min. | Typ. | Max. | Unit |
|--------------------------|----------------|----------------------|------|------|------|------|
| Forward Voltage | V _F | I _F =20mA | 1.8 | --- | 2.2 | V |
| Wavelength (nm) or TC(k) | Δλ | I _F =20mA | 570 | --- | 575 | nm |
| *Luminous intensity | I _v | I _F =20mA | 150 | --- | 200 | mcd |
| 50% Viewing Angle | 2θ 1/2 | I _F =20mA | 40 | --- | 60 | deg |



深圳市昱申科技有限公司

CHINA YOUNG SUN LED TECHNOLOGY CO., LTD.

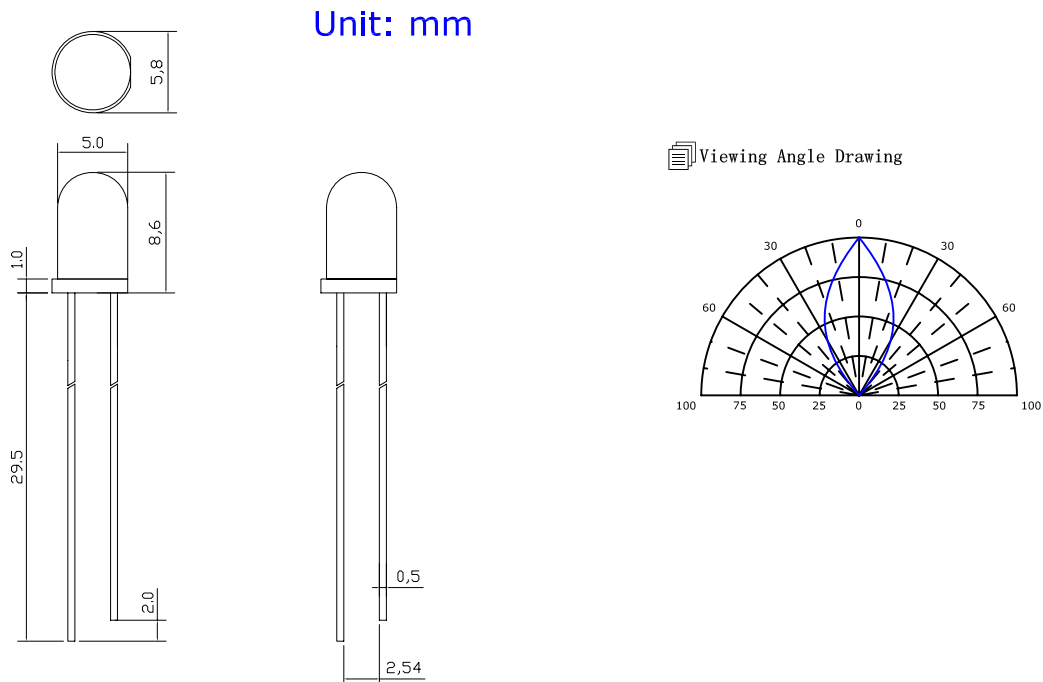
TEL: (86) 755-28079401 28079402 28079403 28079404 28079405
 FAX: (86) 755-28079407 E-mail: info@100LED.com Web: www.100LED.com

Light Degradation in mcd: (I_F=20mA)

| Colors | Light Degradation in mcd after Different Hours | | | | | |
|------------|--|---------|---------|----------|----------|----------|
| | 216 Hrs | 360 Hrs | 792 Hrs | 1104 Hrs | 1992 Hrs | 2328 Hrs |
| Red | 1.52% | -1.22% | -3.10% | -4.68% | -5.72% | -8.27% |
| Yellow | -1.71% | -2.97% | -5.93% | -8.13% | -8.90% | -11.10% |
| Blue | 3.13% | -0.33% | -3.84% | -8.23% | -21.32% | -24.92% |
| Green | -8.02% | -9.78% | -14.25% | -17.37% | -20.79% | -22.30% |
| Hours | 48 Hrs | 168 Hrs | 336 Hrs | 360Hrs | 720 Hrs | 1008 Hrs |
| Cool White | 10.56% | 6.72% | -2.29% | -7.68% | -17.32% | -22.48% |
| Pure White | 13.66% | 8.22% | -1.45% | -8.50% | -19.52% | -25.26% |
| Warm White | 3.02% | -4.38% | -15.18% | -21.15% | -27.19% | -29.97% |

Mechanical Dimensions:

- All dimension are in mm, tolerance is ± 0.2 mm unless otherwise noted
- An epoxy meniscus may extend about 1.5mm down the leads.
- Burr around bottom of epoxy may be 0.5mm Maximum



Address: 5/F, Building B, Anzhilong Indl., Qinghua East Road., Longhua Town, Shenzhen CHINA. 518109