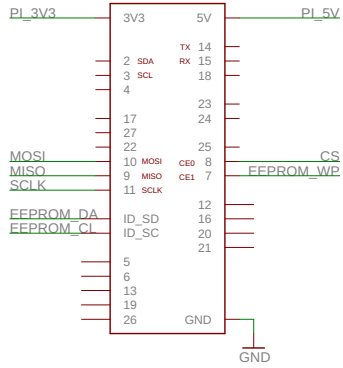
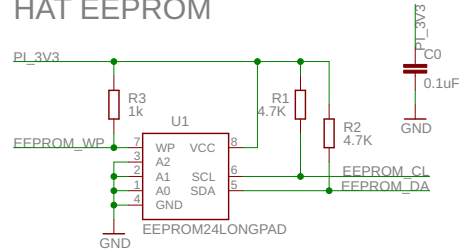


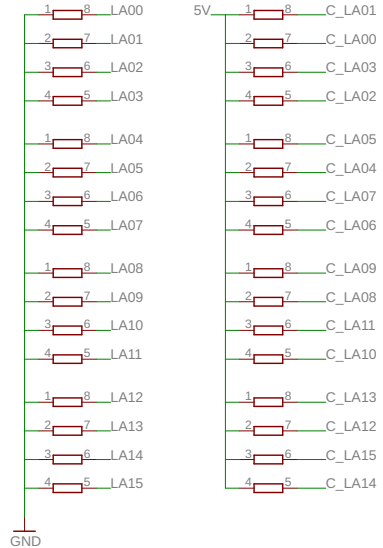
Unicorn HAT HD Raspberry Pi connector



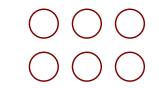
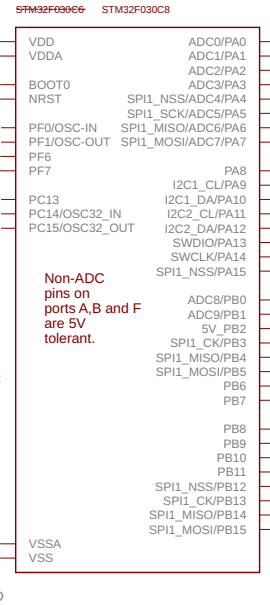
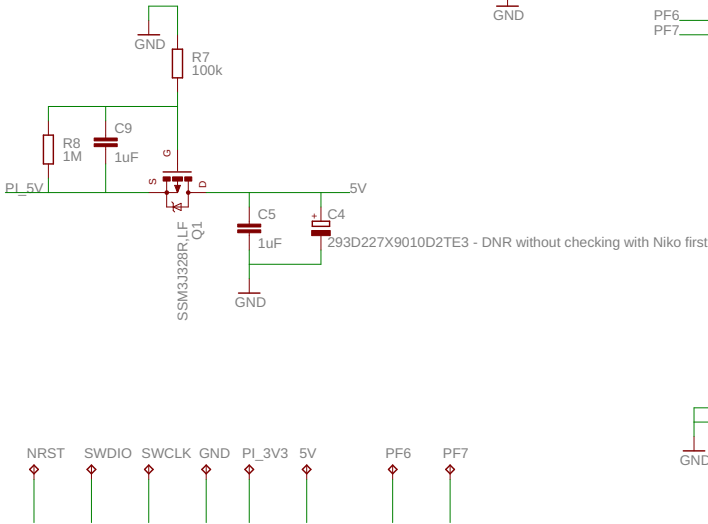
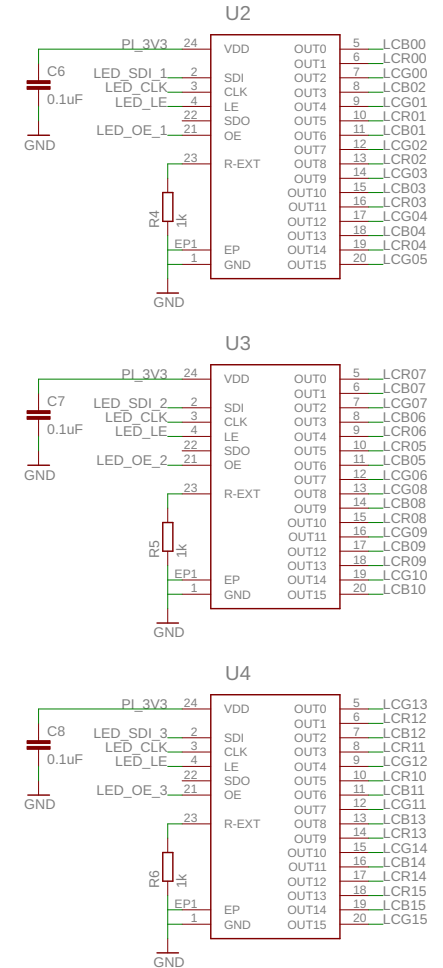
HAT EEPROM



All resistor nets 4.7k ohm



Cathode drivers



Unicorn-HAT-HD

03/05/2018 14:46

Sheet: 1/2

AUTO GENERATED - DONT EDIT

