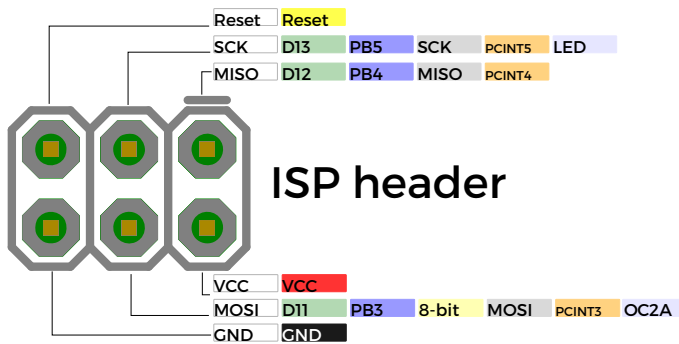
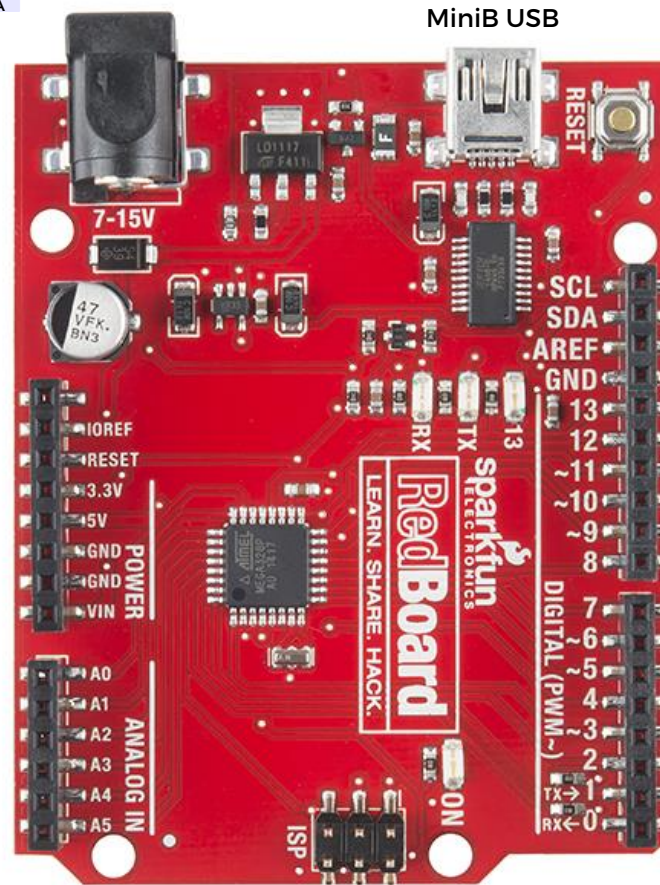


Redboard (Dev-12757)

Programmed with Arduino (Uno)
16MHz



| | |
|---------|---------------|
| Name | ADC |
| Power | PWM |
| GND | Serial |
| Control | Ext Interrupt |
| Arduino | PC Interrupt |
| Port | Misc |



| | |
|---------|-------|
| NC | |
| PCINT14 | PC6 |
| IOREF | IOREF |
| Reset | RST |
| 3.3V | 3.3V |
| 5V | 5V |
| GND | GND |
| GND | GND |
| Vin | Vin |

| | | | | | |
|---------|------|------|--------|--------|----|
| PCINT8 | ADC0 | PC0 | A0/D14 | A0 | |
| PCINT9 | ADC1 | PC1 | A1/D15 | A1 | |
| PCINT10 | ADC2 | PC2 | A2/D16 | A2 | |
| PCINT11 | ADC3 | PC3 | A3/D17 | A3 | |
| PCINT12 | SDA | ADC4 | PC4 | A4/D18 | A4 |
| PCINT13 | SCL | ADC5 | PC5 | A5/D19 | A5 |

| | | | | | | |
|--------|--------|------|---------|---------|---------|------|
| SCL | A5/D19 | PC5 | ADC5 | SCL | PCINT13 | |
| SDA | A4/D18 | PC4 | ADC4 | SDA | PCINT12 | |
| AREF | AREF | | | | | |
| GND | GND | | | | | |
| 13 | D13 | PB5 | SCK | PCINT5 | LED | |
| 12 | D12 | PB4 | MISO | PCINT4 | | |
| 11 | D11 | PB3 | 8-bit | MOSI | PCINT3 | OC2A |
| 10 | D10 | PCB2 | 8-bit | SS | PCINT2 | OC1B |
| 9 | D9 | PB1 | 8-bit | PCINT1 | OC1A | |
| 8 | D8 | PB0 | PCINT0 | ICP1 | CLKO | |
| 7 | D7 | PD7 | PCINT23 | IN1 | | |
| 6 | D6 | PD6 | 8-bit | PCINT22 | OC0A | AIN0 |
| 5 | D5 | PD5 | 8-bit | PCINT21 | OC0B | T1 |
| 4 | D4 | PD4 | PCINT20 | TO | XCK | |
| 3 | D3 | PD3 | 8-bit | INT1 | PCINT19 | OC2B |
| 2 | D2 | PD2 | INT0 | PCINT18 | | |
| TX<->1 | D1 | PD1 | TXD | PCINT17 | | |
| RX<->0 | D0 | PDO | RXD | PCINT16 | | |

Power

VIN:7V-15V
VCC:5V
Maximum current: 800mA on 5V line
150mA on 3.3V line

ATmega328

Absolute maximum VCC: 6V
Maximum current for chip: 200mA
Maximum current per pin: 40mA
Recommended current per pin:20mA
8-bit Atmel AVR
Flash Program Memory: 32kB
EEPROM: 1kB
Internal SRAM 2kB
ADC:10-bit
PWM:8bit

LEDs

Power: Green
User (D13): Blue
RX: Yellow
TX: Red

