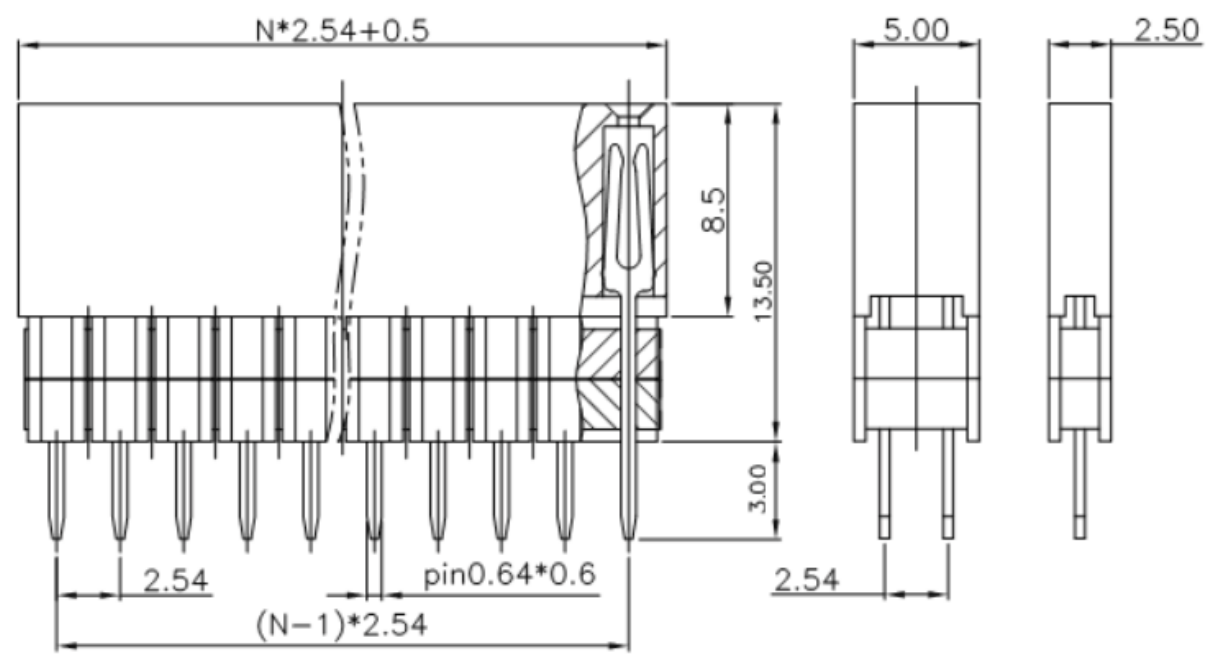


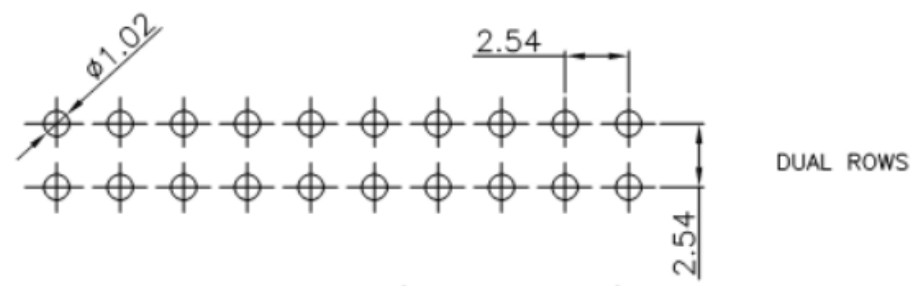
REV.	DESCRIPTION	DRAWN	CHECKED	APPROVED
A	NEW RELEASE	YCH 03/07/07'		LJC 03/07/07'
B	PLATING CHANGE	JLZ 08/19/15'		

N=NUMBER OF CONTACTS (SINGLE ROW)



NOTES:

1. ELECTRICAL CHARACTERISTICS:
 - 1.1 CONTACT RESISTANCE: 50mΩ Max.
 - 1.2 DIELECTRIC WITHSTANDING VOLTAGE: 500V AC(rms) FOR 1 MINUTE.
 - 1.3 INSULATION RESISTANCE: 1000MΩ Min.
2. ENVIRONMENT CHARACTERISTICS:
 - 2.1 OPERATING TEMPERATURE: -40°C~+105°C.
 - 2.2 RESISTANCE TO SOLDERING HEAT: 260±5°C,5±0.5s.



GENERAL TOLERANCE		ANGLE TOLERANCE		PROJECTION		TITLE	FEMALE HEADER PITCH	
X.	±0.60	X.	±5'	UNITS	mm	2.54mm V/T STACK TYPE		
.X	±0.38	.X	±3'	SHEET SIZE	A4	SERIES		
.XX	±0.25	.XX	±2'					
DRAWING TYPE		CUSTOMER						
SCALE		1:1	SHEET	1 OF 1				
DRAWING NO.								