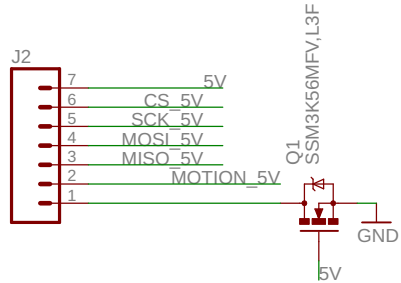


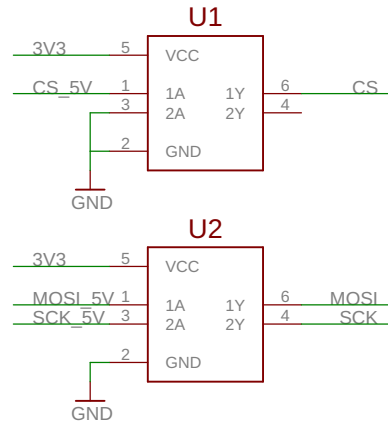
PAA5100JE Near Optical Flow SPI Breakout (PIM573)

Breakout Connector and Reverse Protection

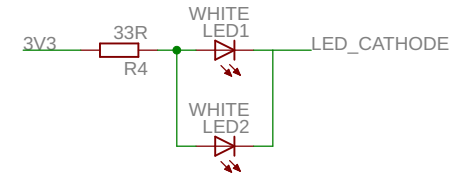


SPI Input Level Shifting

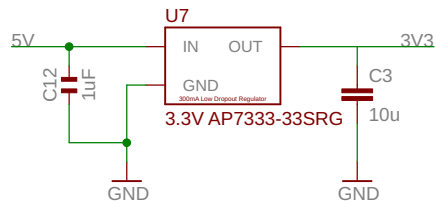
Inputs and outputs are both turned off when VCC is off
-> all data lines are reverse protected



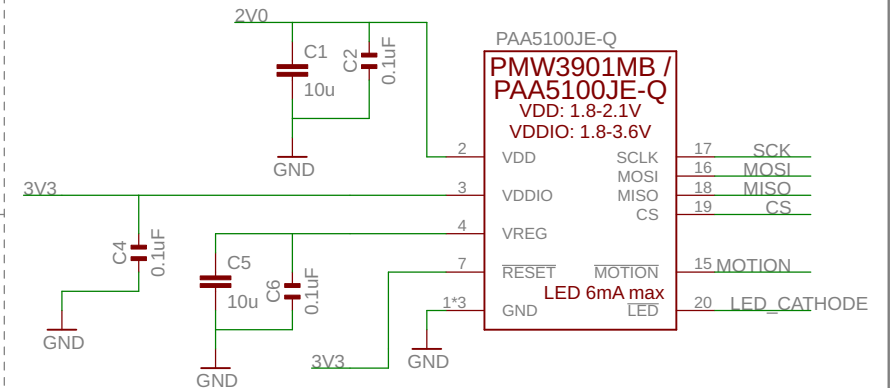
LEDs



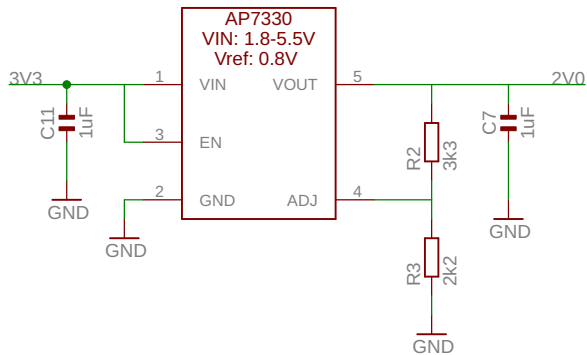
3.3V LDO



PAA5100JE-Q Sensor



2.0V LDO



SPI Output Level Shifting

SPI outputs are turned off when CS_5V is high.

