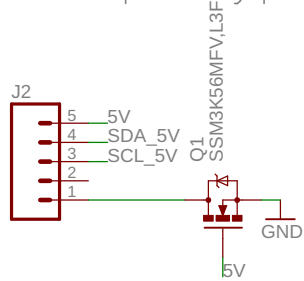
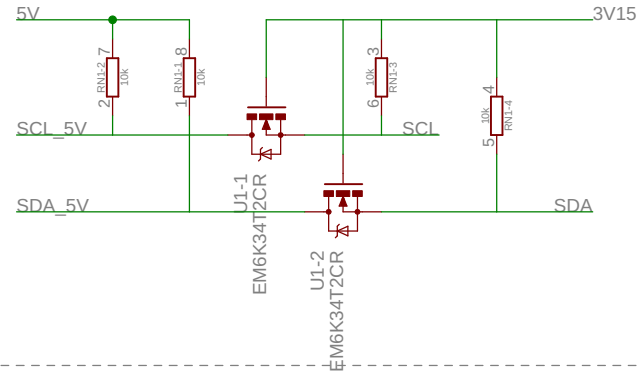


PA1010D GPS Breakout (PIM525)

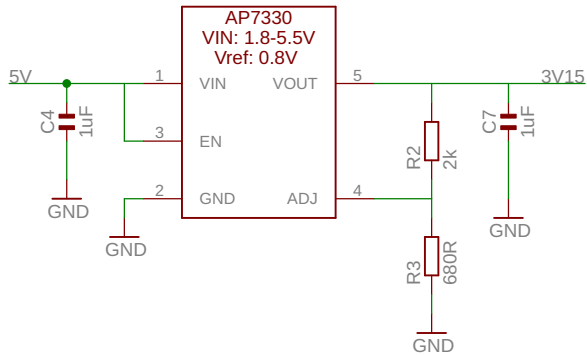
Breakout connector & reverse polarity protection



I2C level shifting



Low noise LDO



GPS module

