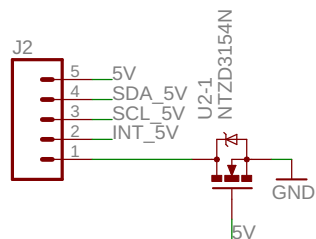


# MAX30101 (</MAX30105) Breakout - Heart Rate, Oximeter, Smoke Sensor (PIM438)

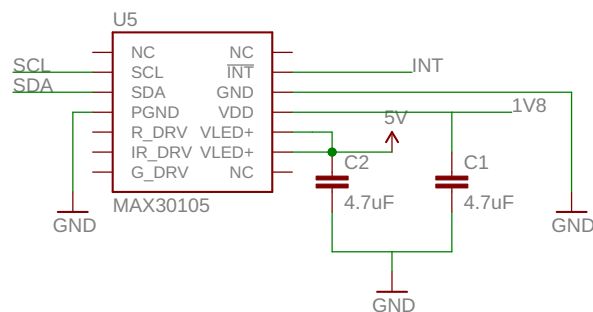
## Pin header and reverse protection



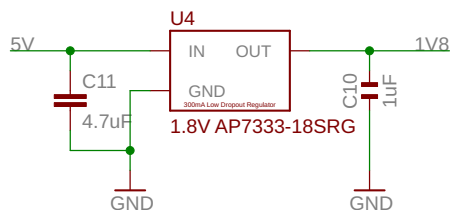
## MAX30101 (</MAX30105) Sensor

I2C: 0x57

Logic is 1.8V  
3.1 - 5V for LED Driver



## LDO



## I2C & INT Level Shifter

