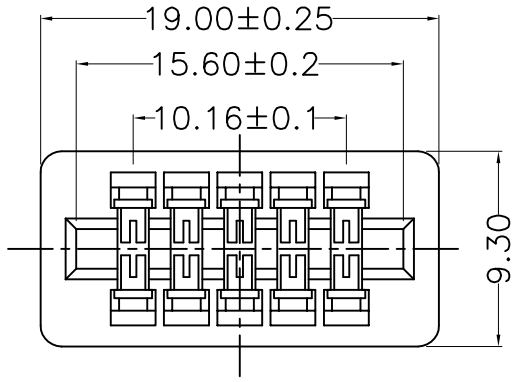


REV	ZONE	REVISION	DATE



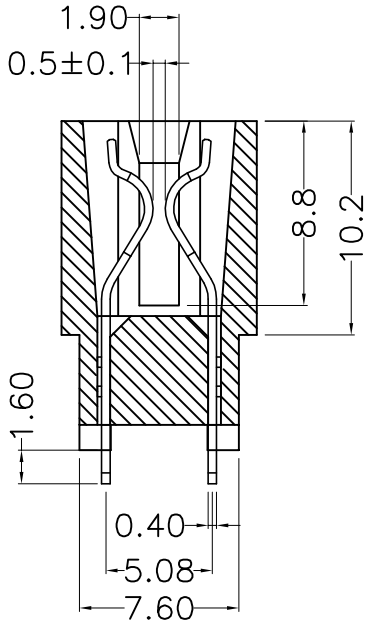
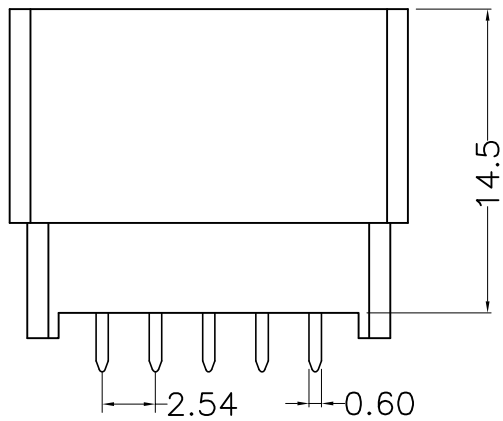
材质 Material:

绝缘体 Insulator: UL94V-0 ,Black (PA6T)
 接触件 Contacts: Brass or Phosphor Bronze
 电镀层 Plating: Contact Gold and Cutting Tin over Nickel

电气性能 Electrical Characteristics:

接触电阻 Contact Resistance: 30mΩ max. at DC 100mA
 绝缘电阻 Insulator Resistance: 1000MΩ min. at 500V DC
 耐压 Withstanding Voltage: 1000V AC/rms 50Hz For 1 minute
 工作电流 Current Rating: 2 AMP

使用温度范围 Operating Temperature: -40°C ~ +105°C



NINGBO GOSUN TECH. CO., LTD.

COMPUTER NO.

UNIT

SCALE

PART NAME

Dk925A-10M

mm

1:1

APPD.

CKD.

DWG.

DATE

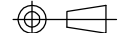
TOLERANCE

PART NO.

REV

MODEL

PAGE 1 OF 1



2018/03/26

x.
 .x ±0.30
 .xx ±0.20

A1