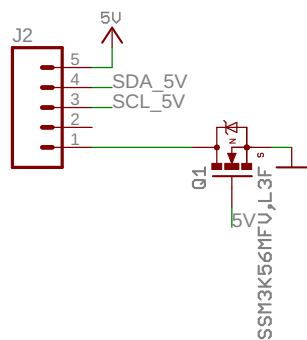
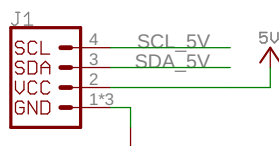


BME280 Breakout - Temperature, Pressure, Humidity Sensor (PIM472)

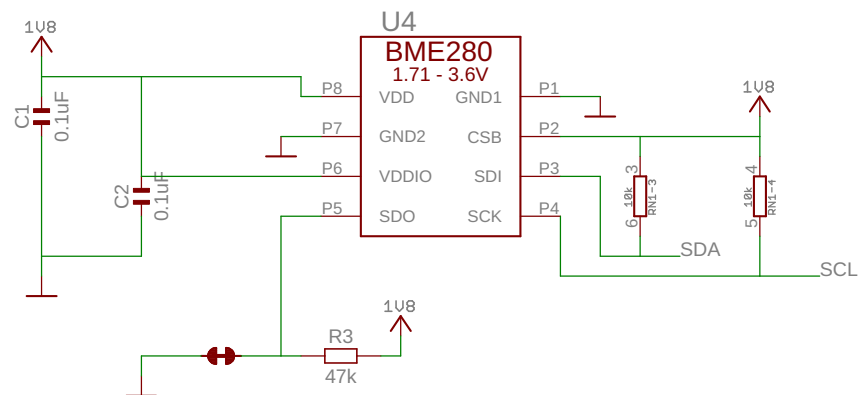
Pin header and reverse protection



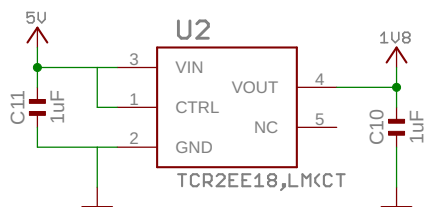
Qiic / Stemma QT Connector



BME280 Sensor and I2C Address Selection Cut Trace



LDO



I2C Level Shifter

