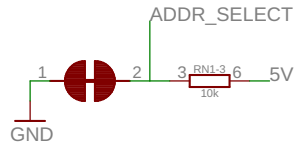
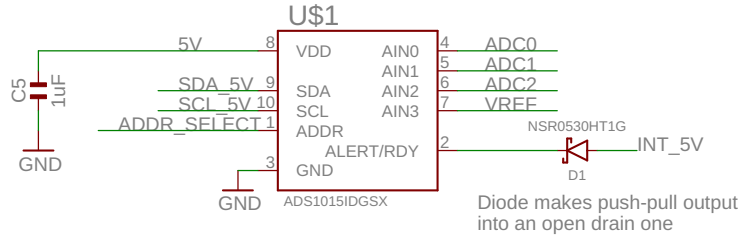
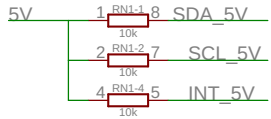
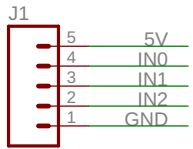
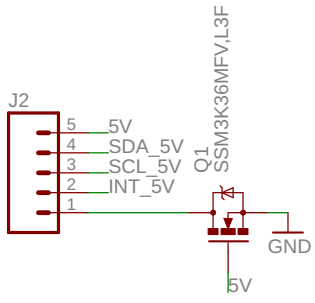
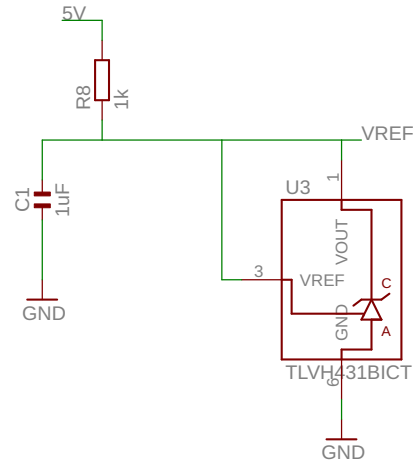


ADS1015 +/-24V ADC breakout (PIM422)

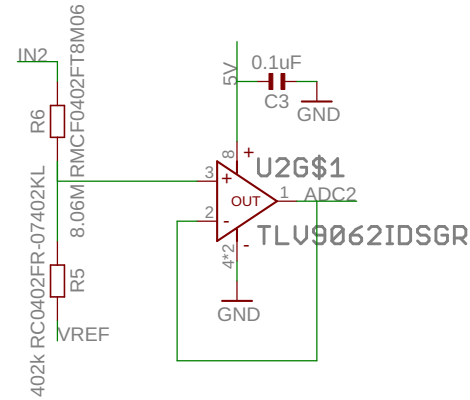
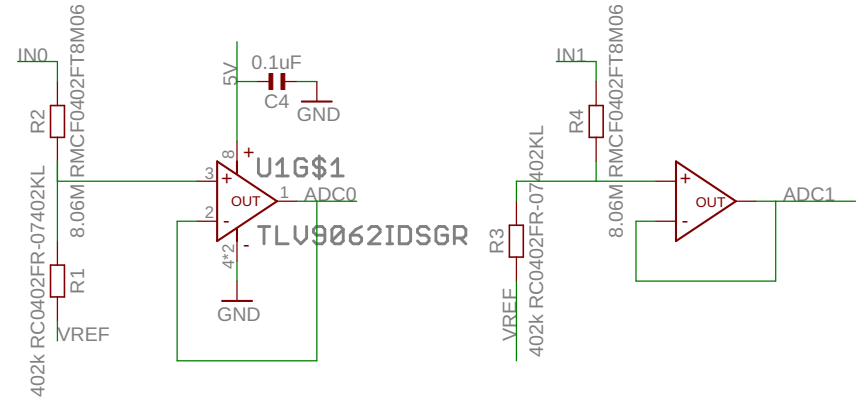
ADC



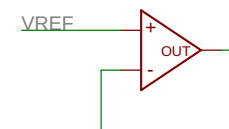
Voltage reference, 1.24V



Op amp input buffers



8.06M / 402k divides 24V to 1.14V



Extra op amp tied down in the middle to prevent oscillations or such