



**We Manufacture
You Score**

▲! WARNING

1. This goal is intended to be used outdoors only.
2. The goal is not to be stored or used on a sloped or hill area.
3. The goal shall be secured against tilting or overturning at all times.
4. Check to insure that all fasteners are fully tightened before using this product; Check fasteners periodically over time.
5. Do not climb on the net or framework.
6. ALWAYS anchor goal.
7. Goal can fall over causing serious injury or death.
8. Check for damaged parts or hardware before each use; replace broken or missing hardware, fasteners, or other parts immediately.
9. Do not remove warning labels under any circumstance; Warning labels should always be clearly visible, placed under crossbar and on the sides of the uprights at eye level.
10. Goals should be disassembled with nets removed for seasonal storage.
11. Always exercise extreme caution when moving soccer goals and allow adequate manpower to move goals of varied sizes and weights. Movable soccer goals should only be moved by authorized and trained personnel.
12. Store movable soccer goals in a place where children cannot have access to them. If this is not possible, anchor/chain goal to a stable, static structure such as a fence or concrete wall.
13. **Always instruct players, managers, coaches, trainers, teachers, maintenance and other personnel who might come into contact with goal on the safe handling of and potential dangers associated with movable soccer goals.**

PEVO Sports Co.
Phone: (910) 397-9388

212 Transcom Ct
Fax: (910) 397-9389
www.pevosports.com

Wilmington, NC 28401
E-mail: don@pevosports.com

Stadium Series Movable Soccer Goals SGM-8x24STB

General Notes:

1. It will take two adults approximately 30 minutes to assemble this goal.
2. Tools Required:
 - a. 9/16” Wrench (or Adjustable Wrench)
 - b. 3/4” Wrench (or Adjustable Wrench)
 - c. Hex Key (Allen Wrench) - Included

Assembly Instructions:

3. Remove all hardware from packaging and inspect to make sure it matches below list and there is no damage.

Item	Qty. Per Goal	Total
Crossbar Tube (with PEVO Label)	1	
Upright (with Warning and PEVO Labels)	2	
Base Tube (With Open End)	2	
Groundbar, Crossbar, and Base Plates (Plastic)	4	
4” Rear Groundbar	1	
2” Channel Adjustable Groundbar	1	
“Z” Groundbar Bracket (Installed)	2	N/A
2-1/2” x 5/16” Carriage Bolt with Flat Washer, Lock Washer, and Nut	4	
Tension Straps	2	
Net	1	
Channel Clip Net Fasteners	60	

4. Lay Crossbar on flat surface with Channel facing upward and place Uprights near each end of Crossbar. Install Plates into Crossbar channel near the end and align holes (See Figure 1). Remove Bolts and Washers from Upright Stubs and place nearby.

PEVO Sports Co.
Phone: (910) 397-9388

212 Transcom Ct
Fax: (910) 397-9389
www.pevosports.com

Wilmington, NC 28401
E-mail: don@pevosports.com

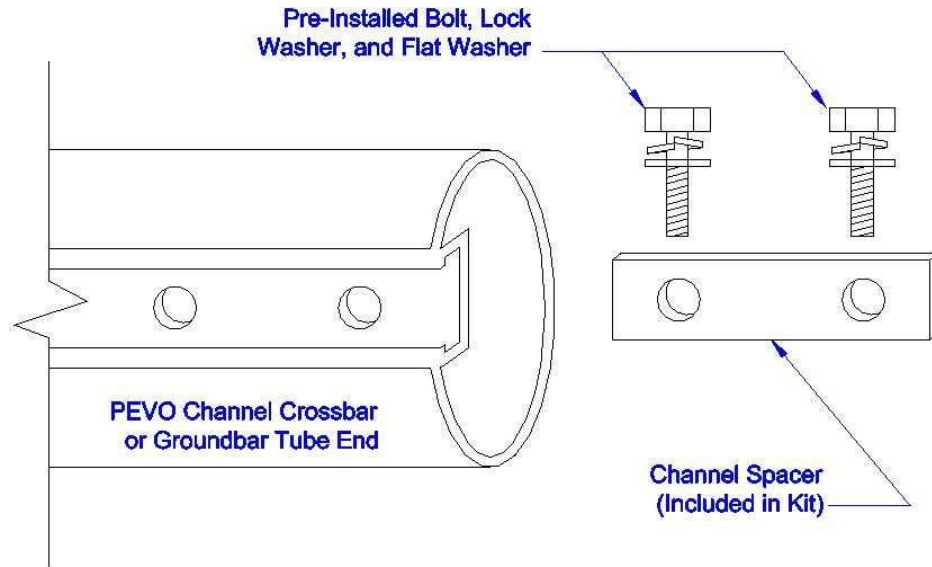
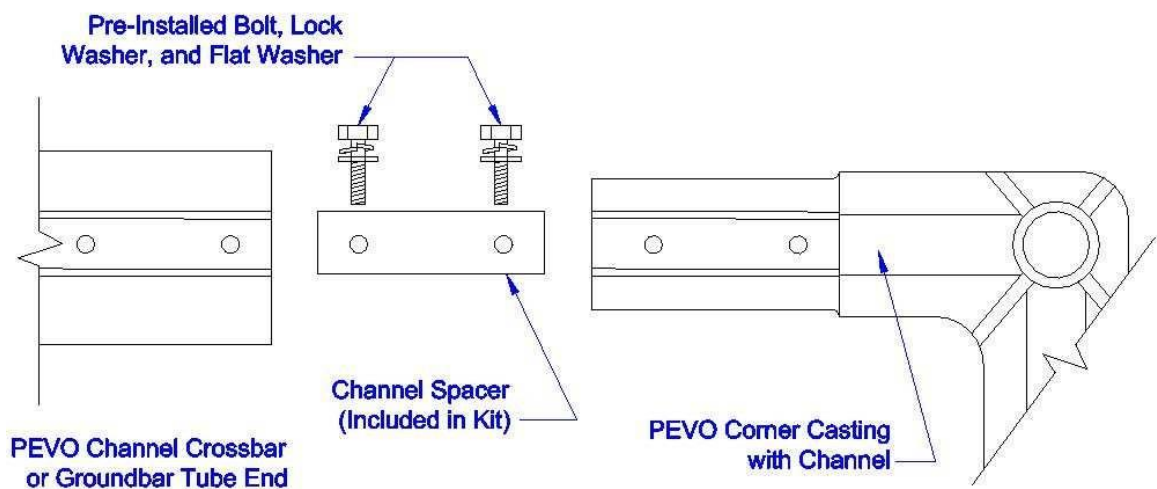


Figure 1. Channel Spacer and Hardware.

5. Slide Upright Stubs into each end of Crossbar until it is fully seated against Crossbar Tube end.
 - a. **NOTE:** Slight tapping on the Upright Tube may be required on the first assembly. **BE CAREFUL NOT TO DAMAGE TUBES.**
6. Align holes in Crossbar with threaded holes in Upright Stub. Install Lock Washer and Flat Washer on Hex Bolt and insert through Plastic Plate and Crossbar Hole into threaded hole in Upright. (See Figure 2) Use **finger pressure** to turn Bolt in threaded holes to insure proper threading occurs. Tighten Bolts with Wrench until snug with Crossbar. **DO NOT OVER TIGHTEN! DAMAGE TO GOAL MAY OCCUR.**



PEVO Sports Co.
Phone: (910) 397-9388

212 Transcom Ct
Fax: (910) 397-9389
www.pevosports.com

Wilmington, NC 28401
E-mail: don@pevosports.com

Figure 2. Corner Casting, Crossbar/Ground Bar, and Channel Spacer with Hardware.

7. Remove hardware from Upright base stub and place nearby.
8. Place one Plastic Plate in the channel of each Base piece, near the holes drilled in the open end.
9. Slide Bases onto end of Upright Stubs. Install Lock Washer and Flat Washer on Hex Bolts and insert through Base holes and plastic plate, into threaded holes in Upright. Use **finger pressure** to turn Bolt in threaded holes to insure proper threading occurs.
 - a. **NOTE:** Be sure to confirm that Base Stubs are facing inward. Base may have to be raised slightly to line up holes with Upright Stub. Be careful not to strip bolt and/or casting threads during installation.
10. Lifting with one adult at each end of the crossbar, raise goal assembly into vertical position. Tighten base bolts with 9/16" wrench until snug.
11. Align holes in Groundbar with threaded holes in Base Stub. Install Lock Washer and Flat Washer on Hex Bolts and insert through Plastic Plate and Groundbar Holes into threaded holes in Base Stubs. (See Figure 2) Use **finger pressure** to turn Bolt in threaded holes to insure proper threading occurs. Tighten Bolts with Wrench until snug with Groundbar. **DO NOT OVER TIGHTEN! DAMAGE TO GOAL MAY OCCUR.**
 - a. **NOTE:** Bases will have to be pulled outward slightly to allow mating of the Groundbar and Base Stubs.
12. Install "Z" bent stanchion poles into 2" openings on each base casting. Poles should be in the same vertical plane as the groundbar, leaning outward and away from goal sides. Stanchions should make 90 degree angle with base when viewed from above. (See Figure 3)

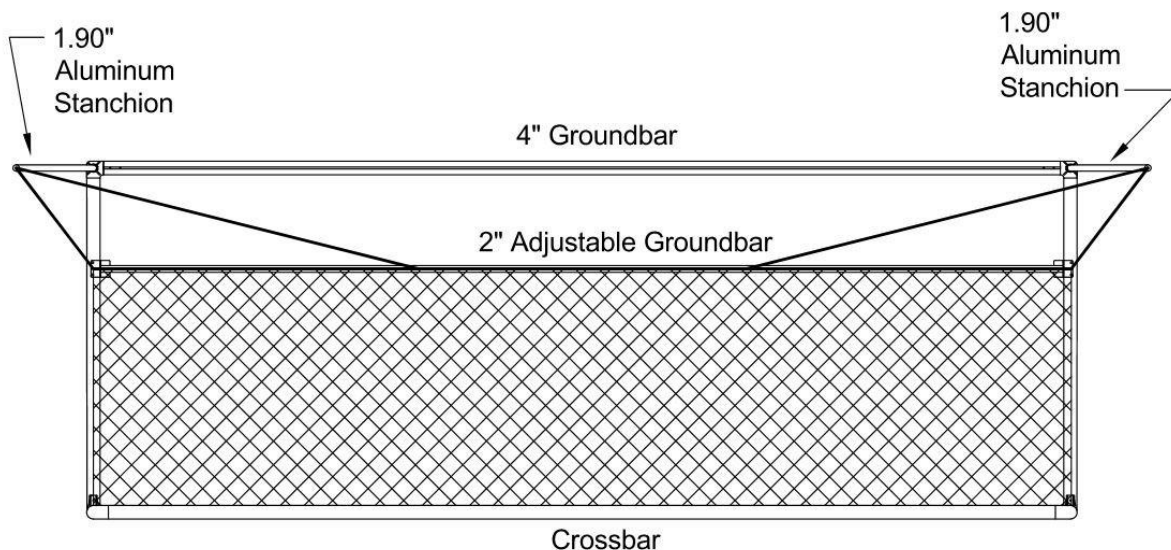


Figure 3. Stanchion tube orientation.

13. Tighten set screws on stanchion poles until snug.
 - a. **NOTE:** Check alignment of poles before tightening. (See Figure 3)
14. Slide aluminum “Z” brackets for movable, 2” Groundbar into desired position.
Be sure to place the two brackets directly across from one another. Tighten bolts with 3/4” wrench until snug.
15. Mount Groundbar onto “Z” bracket at either side using (2) 2-1/4” Carriage Bolts with a Flat Washer and NyLock nut. (See Figure 3)

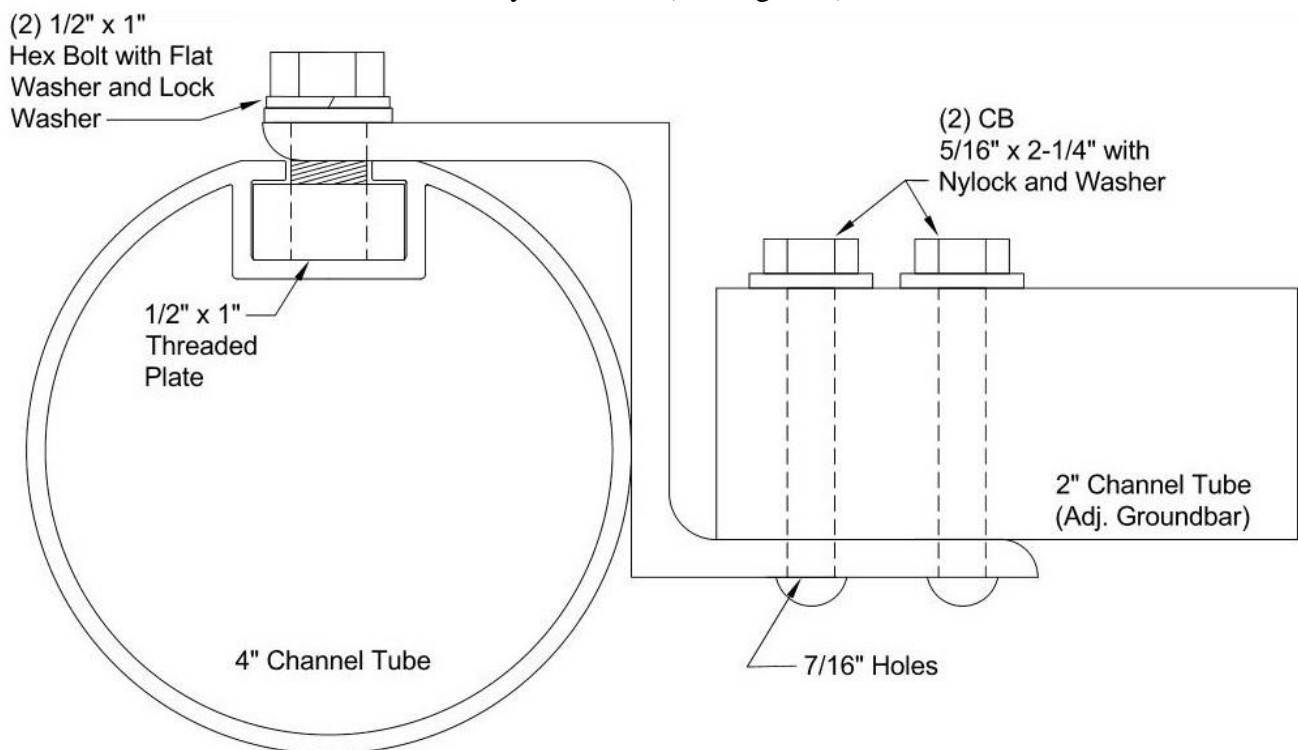


Figure 3. Groundbar Bracket Mounting.

16. Position Net on top of Goal Assembly ensuring top of net is aligned with crossbar and net is resting on top of Backstays.
 - a. **NOTE:** Label indicates top corner of net.
17. Slide Net perimeter rope into opening of net fastener and twist into Channel until the Fastener locks. (See Figure 4) Continue until Crossbar, Uprights, Bases, and Groundbar are completely attached to Net.



Figure 4. Channel Clip in Crossbar/Groundbar Tube.

18. Using Eye bolts on each stanchion, pull the net rear corner tightly and attach with the tensioning straps.
19. Tie one end of each secondary chord roughly 1/3 of the way from the side of the net rear perimeter rope towards the center, pulling the other end of each chord through the eye bolt of the closest stanchion. Pull tightly and tie off on stanchion eye. (See Figure 3)
20. Ensure net is completely attached to Goal Assembly. (See Figure 5)
21. Ensure all Bolts & Screws are all still properly tightened. (See Figure 5)



PEVO Sports Co.
Phone: (910) 397-9388

212 Transcom Ct
Fax: (910) 397-9389
www.pevosports.com

Wilmington, NC 28401
E-mail: don@pevosports.com

Figure 5. Assembled SGM-8x24STB, Stadium Series goal.

PEVO Sports Co.
Phone: (910) 397-9388

212 Transcom Ct
Fax: (910) 397-9389
www.pevosports.com

Wilmington, NC 28401
E-mail: don@pevosports.com