



▲! WARNING

1. This goal is intended to be used outdoors only.
2. The goal is not to be stored or used on a sloped or hill area.
3. The goal shall be secured against tilting or overturning at all times.
4. Check to insure that all fasteners are fully tightened before using this product; Check fasteners periodically over time.
5. Do not climb on the net or framework.
6. ALWAYS anchor goal.
7. Goal can fall over causing serious injury or death.
8. Check for damaged parts or hardware before each use; replace broken or missing hardware, fasteners, or other parts immediately.
9. Do not remove warning labels under any circumstance; Warning labels should always be clearly visible, placed under crossbar and on the sides of the uprights at eye level.
10. Goals should be disassembled with nets removed for seasonal storage.
11. Always exercise extreme caution when moving soccer goals and allow adequate manpower to move goals of varied sizes and weights. Movable soccer goals should only be moved by authorized and trained personnel.
12. Store movable soccer goals in a place where children cannot have access to them. If this is not possible, anchor/chain goal to a stable, static structure such as a fence or concrete wall.
13. **Always instruct players, managers, coaches, trainers, teachers, maintenance and other personnel who might come into contact with goal on the safe handling of and potential dangers associated with movable soccer goals.**

PEVO Sports Co.
Phone: (910) 397-9388

212 Transcom Ct
Fax: (910) 397-9389
www.pevosports.com

Wilmington, NC 28401
E-mail: don@pevosports.com

Stadium Series Movable Soccer Goals

SGM-8x24STA

General Notes:

1. It will take two adults approximately 30 minutes to assemble this goal.
2. Tools Required:
 - a. 9/16" Wrench (or Adjustable Wrench)
 - b. 1/2" Wrench (or Adjustable Wrench)

Assembly Instructions:

3. Remove all hardware from packaging and inspect to make sure it matches below list and there is no damage.

Item	Qty. Per Goal	Total
Crossbar Tube (with PEVO Label)	1	
Side Assembly (with Warning and PEVO Labels)	2	
Groundbar "Z" Brackets	2	Installed
7/16" x 1" Hex Bolts w/ Flat Washer and Lock Washer	4	Installed
5/16" x 2-1/2" Carriage Bolt with Flat Washer and Nylock Nut	4	
Crossbar Plates	2	
Groundbar (2" Aluminum Channel Tubing)	1	
Net	1	
Channel Clip Net Fasteners	72	
Corkscrew Auger and Chain	2 Sets	

4. Lay Crossbar on flat surface with Channel facing upward and place Side Assemblies near each end of Crossbar. Install Plates into Crossbar channel near the end and align holes (See Figure 1). Remove Bolts and Washers from Upright Stubs and place nearby.

PEVO Sports Co.
Phone: (910) 397-9388

212 Transcom Ct
Fax: (910) 397-9389
www.pevosports.com

Wilmington, NC 28401
E-mail: don@pevosports.com

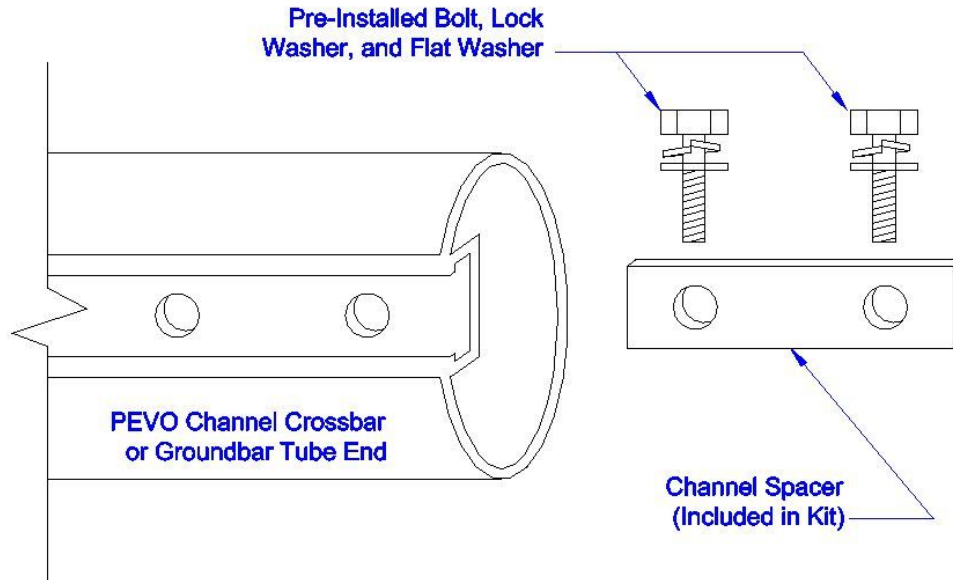


Figure 1. Channel Spacer and Hardware.

5. Lift one side assembly so that Crossbar stub is facing inward, towards open crossbar end. Slide Upright Stub into end of Crossbar until it is fully seated against Crossbar Tube end.
 - a. **NOTE:** Slight tapping on the Upright Tube may be required on the first assembly. **BE CAREFUL NOT TO DAMAGE TUBES.**
6. Repeat Step 5 to attach opposite end of crossbar to other side assembly.
7. Align holes in Crossbar with threaded holes in Upright Stub. Install Lock Washer and Flat Washer on Hex Bolts and insert through Crossbar Holes and Channel Spacer into threaded holes in Upright. (See Figure 2) Use **finger pressure** to turn Bolt in threaded holes to ensure proper threading occurs. Tighten bolts with wrench until snug.

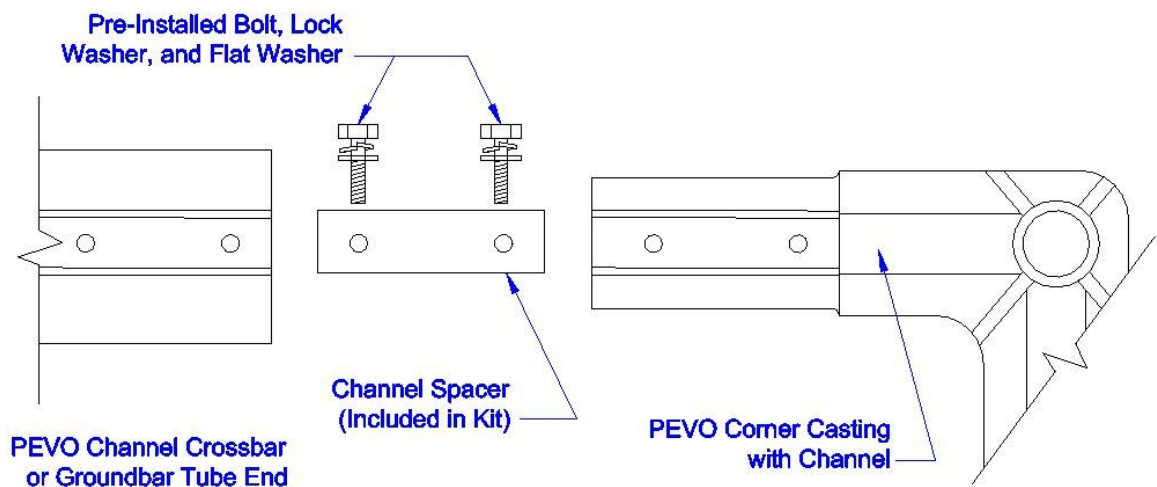


Figure 2. Corner Casting, Crossbar/Groundbar, and Channel Spacer.

8. Lifting with one adult at each end of the crossbar, raise goal assembly into vertical position.
9. Move Groundbar "Z" brackets to desired location on both base pieces. Be sure to place the brackets directly across from one another. Tighten bracket bolts until snug.
10. With Channel Facing Upward, mount Groundbar onto "Z" bracket at either side using (2) 2-1/2" Carriage Bolts with a Flat Washer and NyLock nut. (See Figure 3)

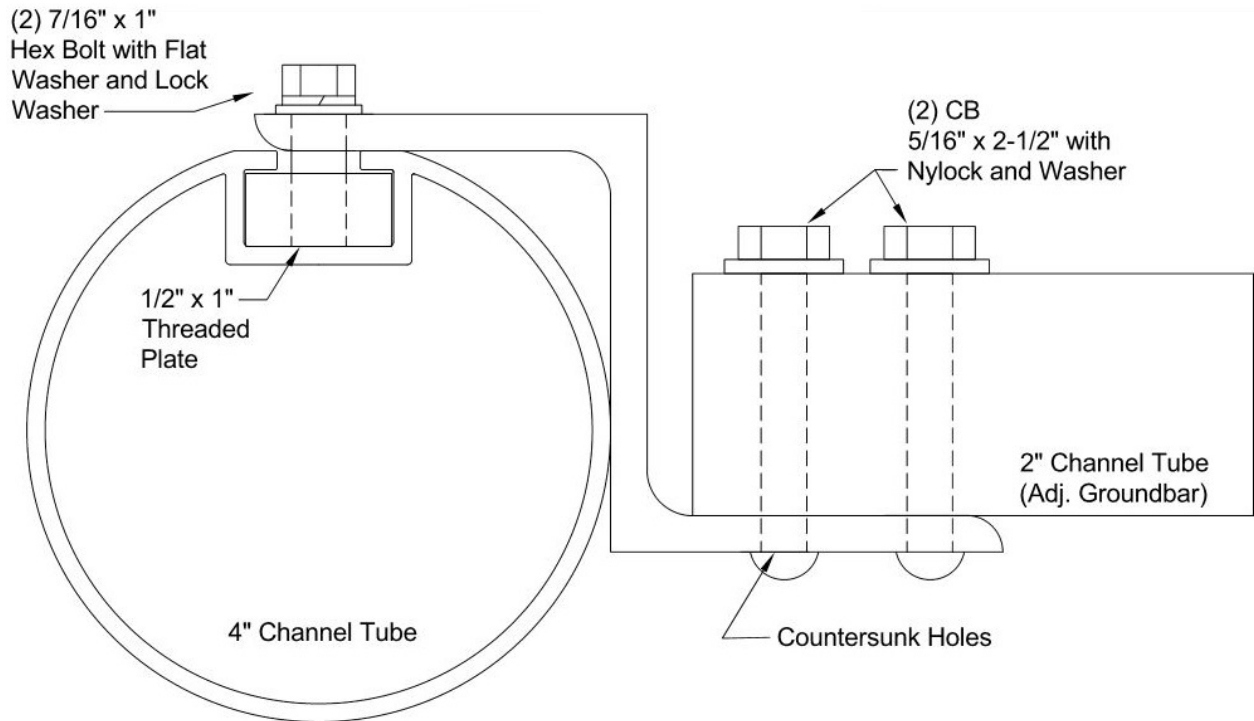


Figure 3. Groundbar Bracket mounting.

11. Position Net on top of Goal Assembly ensuring top of net is aligned with crossbar and net is resting on top of Backstays.
 - a. **NOTE:** Label indicates top corner of net.
12. Slide Net perimeter rope into opening of net fastener and twist into Channel until the Fastener locks. (See Figure 4) Continue until Crossbar, Uprights, bases, side supports, and Groundbar are completely attached to Net.
13. Tighten Net by inserting rear corner edge rope through hole in support tube.
14. Tie off Net Roping to adjacent frame.



Figure 4. Channel Clip in Crossbar/Groundbar Tube.

15. Ensure net is completely attached to Goal Assembly. (See Figure 6)
16. Ensure all Bolts & Screws are all still properly tightened. (See Figure 6)
17. Using included Auger and Chain Sets, anchor goal once moved to correct location. (See Figure 5)

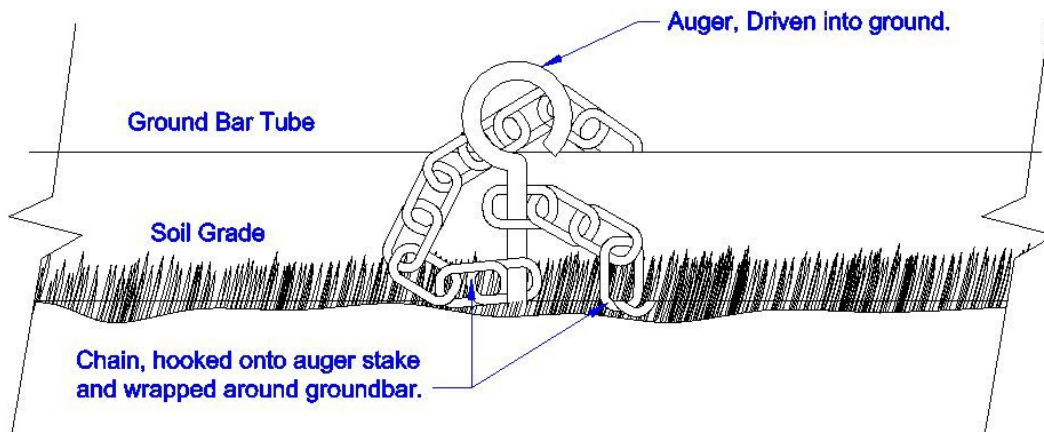


Figure 5. Corkscrew Auger and Chain anchoring system.



Figure 6. Assembled SGM-8x24STA, Stadium Series goal.

PEVO Sports Co.
Phone: (910) 397-9388

212 Transcom Ct
Fax: (910) 397-9389
www.pevosports.com

Wilmington, NC 28401
E-mail: don@pevosports.com