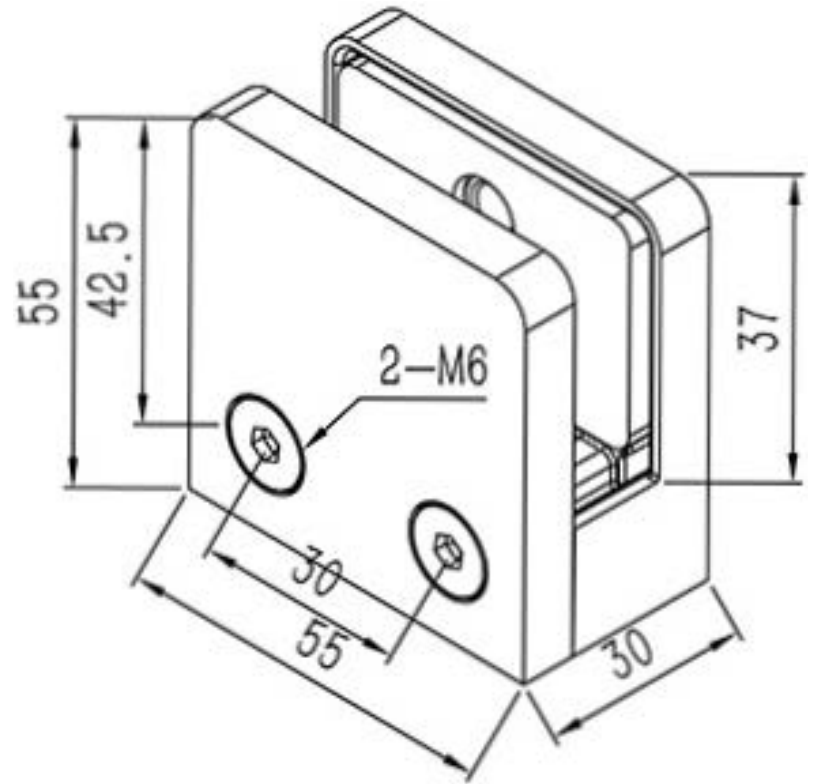



T=10-12



Project:	
Title:	GFSC
Description: Heavy Duty Glass To Wall Clamp	
	Scale: 1:1
	Date
	Drawn: